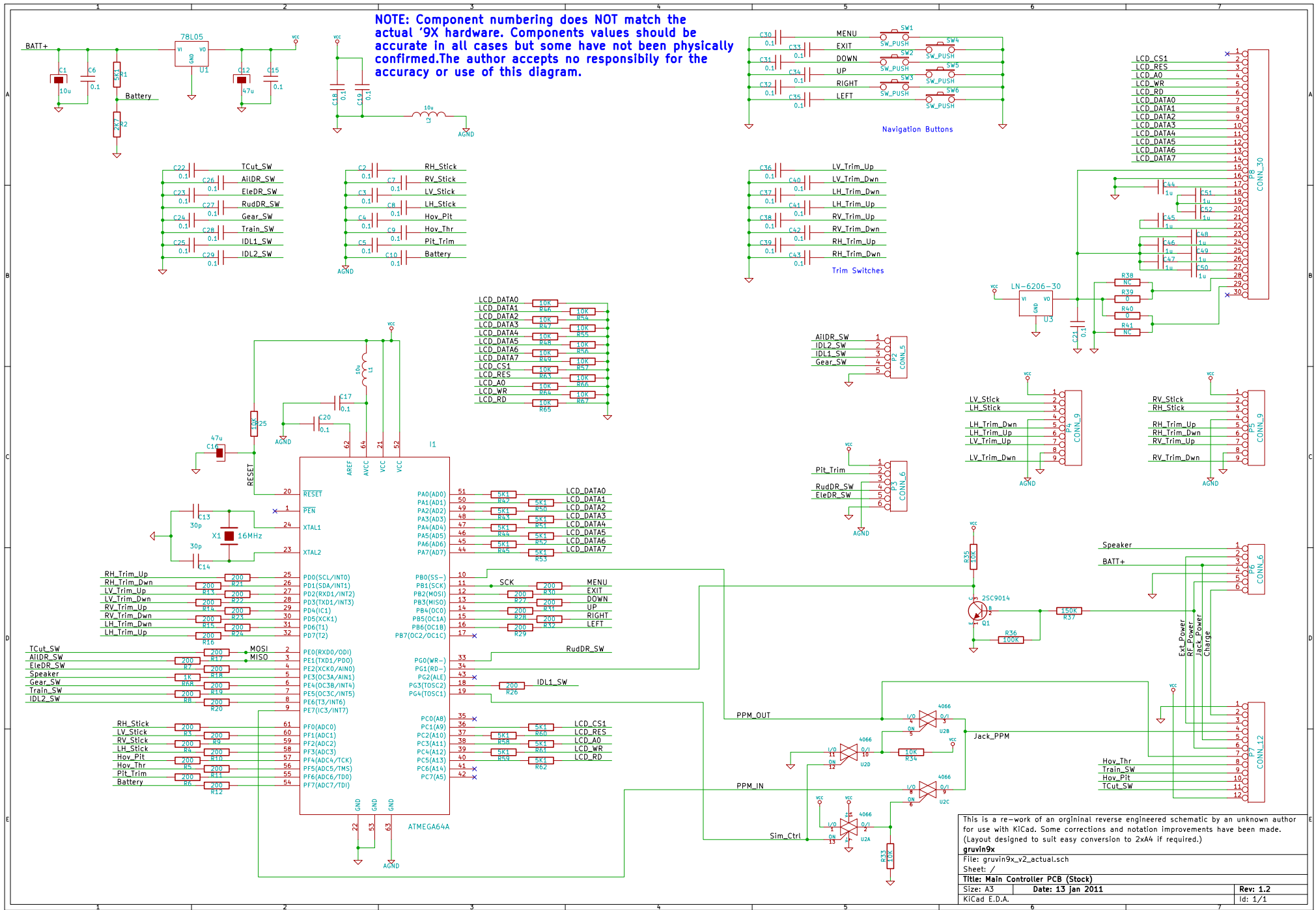


NOTE: Component numbering does NOT match the actual '9X hardware. Components values should be accurate in all cases but some have not been physically confirmed. The author accepts no responsibility for the accuracy or use of this diagram.



This is a re-work of an original reverse engineered schematic by an unknown author for use with KiCad. Some corrections and notation improvements have been made. (Layout designed to suit easy conversion to 2x44 if required.)

gruvin9x		
File: gruvin9x_v2_actual.sch		
Sheet: /		
Title: Main Controller PCB (Stock)		
Size: A3	Date: 13 jan 2011	Rev: 1.2
KiCad E.D.A.		Id: 1/1