

FrSky Electronic Co., Ltd.  
Smart Port Lipo Voltage Sensor

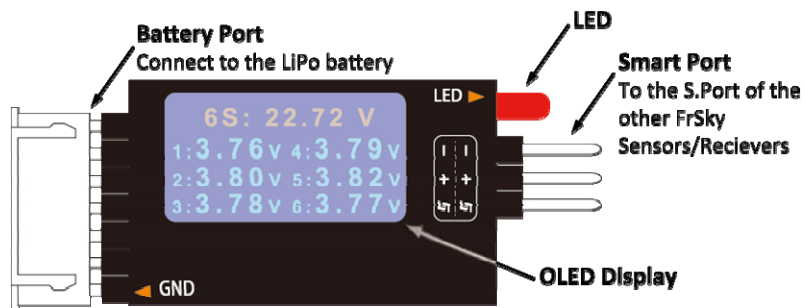


Instruction Manual

NOTICE: All instructions, warranties and other collateral documents are subject to change at the sole discretion of FrSky Electronic Co., Ltd. For further information, please visit [www.frsky-rc.com](http://www.frsky-rc.com) and click the SUPPORT tab for this product.

Thank you for purchasing FrSky Smart Port Lipo Voltage Sensor. It is designed for FrSky Smart Port enabled system, and can measure total voltage and cell voltages as connected. In order to fully enjoy the benefit of it, please read the instruction manual carefully and set up the device as described below.

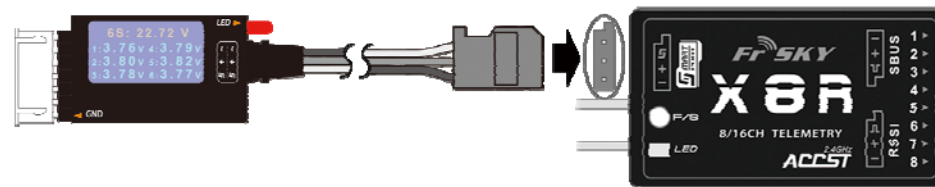
Specifications



Dimension: 35×23×6mm  
 Weight: 6g  
 Measurement range: 2S~6S (6~25V)  
 Power consumption: 25mA@5V  
 Voltage display resolution: 0.01V  
 Voltage detection precision: 0.05V  
 Operating temperature: -10~70℃  
 Pixel: 128\*64 OLED Screen  
 Compatibility: FrSky Smart Port enabled receivers, such as X8R, X6R, X4R, etc.

Set Up

FrSky Smart Port Lipo Voltage Sensor is only compatible with FrSky Smart Port enabled receivers, such as X8R, X6R, X4R, etc. Here we take the setup together with X8R receiver for example. For more details, please refer to corresponding receiver instruction manual.



ⓘ Install FrSky Smart Port Lipo Voltage Sensor on any appropriate surface of the airframe that stays away from water, vibration, or fuel.

ID Set up

Each type of FrSky Smart Port enabled sensor has its unique physical ID. The default physical ID for this sensor is 02. The ID number could be changed by FrSky Servo Channel Changer. Please refer to the instruction manual of FrSky Servo Channel Changer for details.

ⓘ All FrSky Smart Port enabled sensors could daisy chain with each other through their Smart Port.

LED Status

LED Status	Smart Port Connection	Battery Port Connection
Flash very quickly (100ms)	NO	NO
Flash quickly (200ms)	NO	YES
Flash quickly (200ms)	YES	NO
Flash Slowly (500ms)	YES	YES