

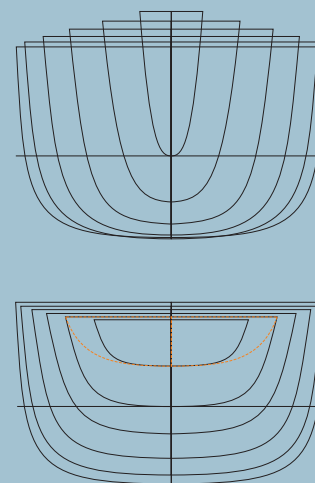
$$321.42 \times 8.3 = 2667 \text{ cm}^3$$

$$56.69 \times 83 = 4705 \text{ cm}^3$$

$$C_p \ 0.567$$

2000g 180cc

224



AC100-vintage2

LOA	1000 mm
LWL	830 mm
Beam	164 mm
Wbeam	154 mm
Wplan	892 m²
Draft	46 mm
DSPL	2667 g
Append.	290 g
Bulb	2000 g
act. DSPL	3150 g
Ratio	63.5%
act. LWL	845 mm
B/L	0.185
PC	0.567
CB	-0.5%
Advance	8.8%
Sail Plan	5750 cm²