

# RK-370SD

**MABUCHI MOTOR**

Carbon-brush motors

**OUTPUT : 0.5W~24W (APPROX)**

**WEIGHT : 51g (APPROX)**

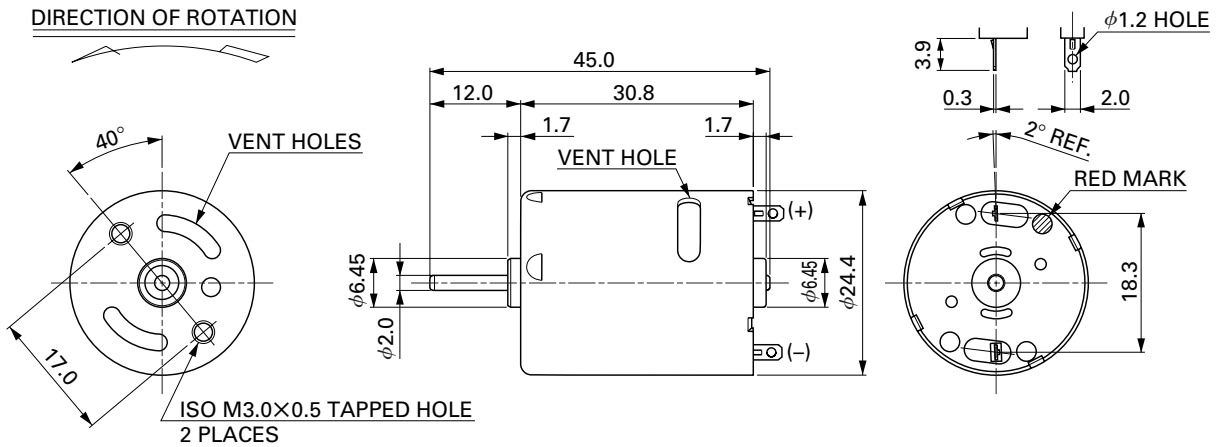
**Typical Applications** Toys and Models : Radio Control Model

MODEL	VOLTAGE		NO LOAD		AT MAXIMUM EFFICIENCY				STALL			
	OPERATING RANGE	NOMINAL	SPEED	CURRENT	SPEED	CURRENT	TORQUE	OUTPUT	TORQUE	CURRENT		
			r/min	A	r/min	A	mN-m	g-cm	W	mN-m	g-cm	A
<b>RK-370SD-2870</b> (*)	4.5~9.6	7.2V CONSTANT	16500	0.34	13790	1.73	5.97	60.9	8.61	36.3	370	8.77

(\*)1 CCW shifted commutation (CCW+)

The terminal position against the tapped holes varies depending on CW+/NEUTRAL. (Refer to P17)

CCW+



Usable machine screw length 2.0 max. from motor mounting surface.

UNIT: MILLIMETERS

## RK-370SD-2870

7.2V

