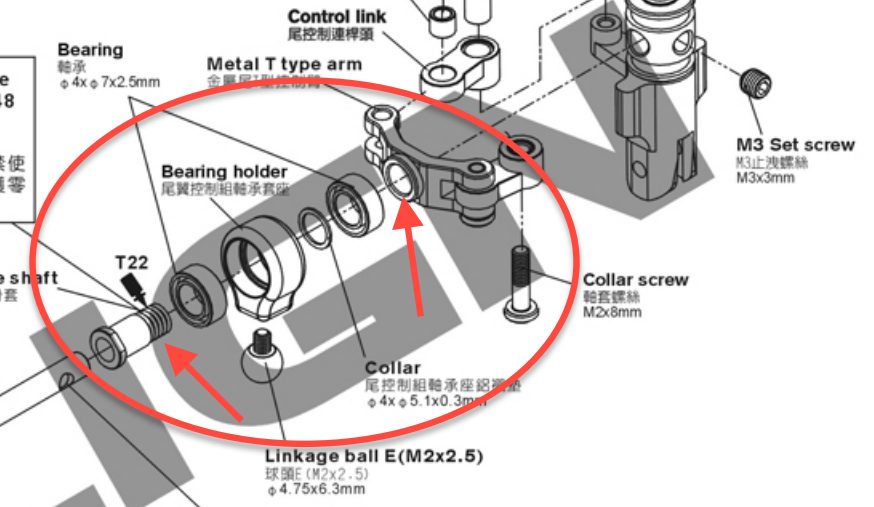
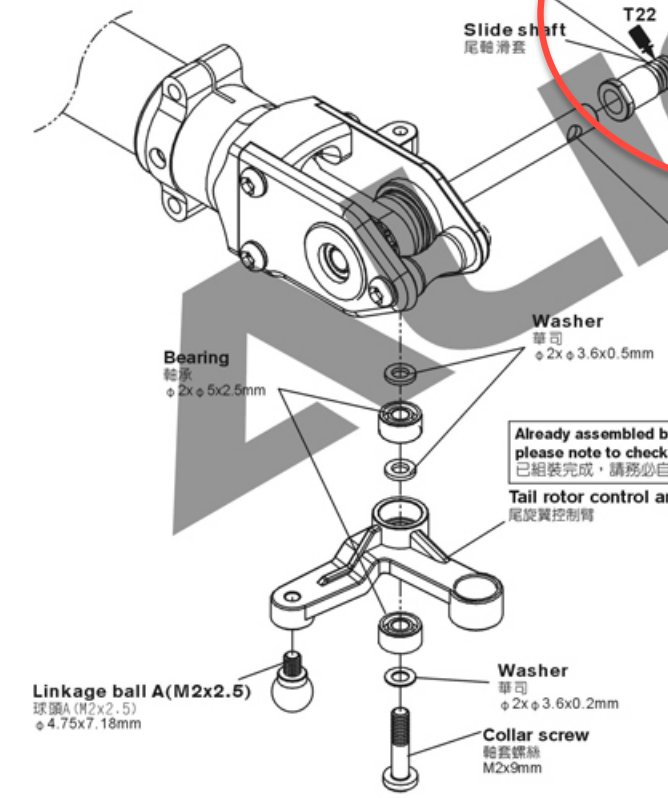


450HT5

- | | | |
|--|---|--|
| Collar screw
軸套螺絲(M2x6mm) x 2 | Linkage ball A(M2x2.5)
球頭A (M2x2.5)($\phi 4.75 \times 7.18\text{mm}$) x 1 | Slide shaft
尾輪滑套 x 1 |
| Collar screw
軸套螺絲(M2x8mm) x 2 | Linkage ball E(M2x2.5)
球頭E (M2x2.5)($\phi 4.75 \times 6.3\text{mm}$) x 1 | Collar
尾控制組軸套座鋁襯墊
($\phi 4 \times 5.1 \times 0.3\text{mm}$) x 1 |
| Collar screw
軸套螺絲(M2x9mm) x 1 | Bearing
軸承($\phi 2 \times \phi 5 \times 2.5\text{mm}$) x 4 | Washer
華司($\phi 2 \times \phi 3.6 \times 0.5\text{mm}$) x 2 |
| Socket screw
圓頭內六角螺絲(M2x8mm) x 2 | Bearing
軸承($\phi 3 \times \phi 6 \times 2.5\text{mm}$) x 2 | Washer
華司($\phi 2 \times \phi 3.6 \times 0.2\text{mm}$) x 3 |
| M3 Set screw
M3止洩螺絲(M3x3mm) x 1 | Collar A
尾連桿頭鋼套A($\phi 2 \times \phi 3 \times 4\text{mm}$) x 2 | |
| Collar B
尾連桿頭鋼套B($\phi 2 \times \phi 3 \times 2.5\text{mm}$) x 2 | Collar B
尾連桿頭鋼套B($\phi 2 \times \phi 3 \times 2.5\text{mm}$) x 2 | |

CAUTION
注意

While assembly the slide shaft, please use suitable amount of T22 on the thread. Please do not use R48 anaerobics retainer or other high strength glue to avoid damages while maintenance or repairs.
組立尾輪滑套時，請使用適量的T22螺絲膠在螺牙上，嚴禁使用R48高膠合性軸承膠防止膠合過緊，以避免日後拆修維護零件之損傷。



CAUTION
注意

Aim tail rotor hub at the concave of tail rotor shaft and fix it, please apply a little glue on the set screw.
尾旋翼T型座瞄準尾橫軸的凹刻並鎖上，請確認止洩螺絲上膠。

Care must be taken during assembly to ensure tail grips operate smoothly without binding. Any slight binding may affect tail action during flight.
組裝時，確保尾夾座滑順，些微干涉將可能導致飛行時尾動作不順暢。

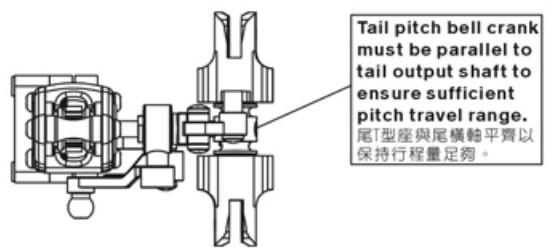
Already assembled by factory, please note to check again.
已組裝完成，請務必自行再確認。

Tail rotor control arm
尾旋翼控制臂

CAUTION
注意

For original manufactory package, if the product is already assembled by Factory, please check again if screws are firmly secured and applied with some glue.
原廠零件出廠包裝如果是組裝品，請再確認各螺絲是否鎖緊上膠。

When tightening a linkage ball to a plastic part, please note to use a little CA glue and tighten it firmly, but not over tightened, or they will strip.
球頭鎖入塑膠件請務必注意，使用少量CA膠並適當扭力鎖緊即可，而過緊的扭力可能會導致滑牙。



Apply a little amount of T22 thread lock when fixing a metal part.
螺絲鎖附於金屬件請使用適量T22(螺絲膠)