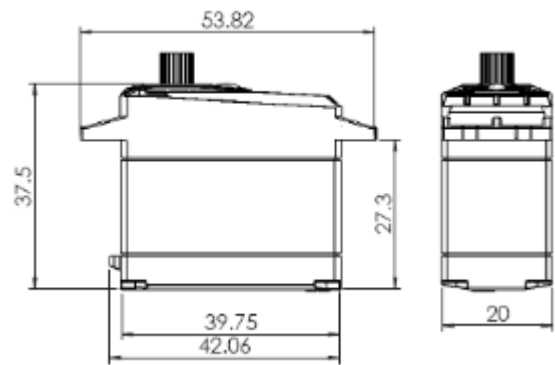


SSV-9864MG /Ultra Torque Digital Servo w/ Metal Gear Specification

Item No:	SSV-9864MG
Weight:	45 grams / 1.60oz.
Dimensions:	40.5 x 20 x 37 mm / 1.60 x 0.78 x 1.52 in.
Torque At 4.8V:	9.2kg-cm , 130 oz-in
Torque At 6.0V:	10.6kg-cm , 142 oz-in
Speed At 4.8V:	0.12 sec / 60° at no load
Speed At 6.0V:	0.10 sec / 60° at no load
Running Current	610mA
Stall Current	1200mA
Horn Gear Spline	25 Tooth
Connector Wire Length	300mm (11.81in)
Connector Horsing	Universal connector
Ball Bearing:	Dual Ball Bearing M 10 x 6
Gear Types	Metal Gear



Unit: mm