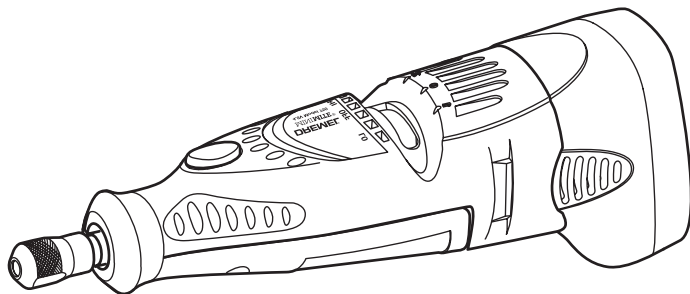


# DREMEL® 7700

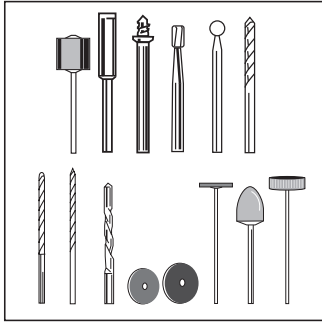
## Ni-Cd



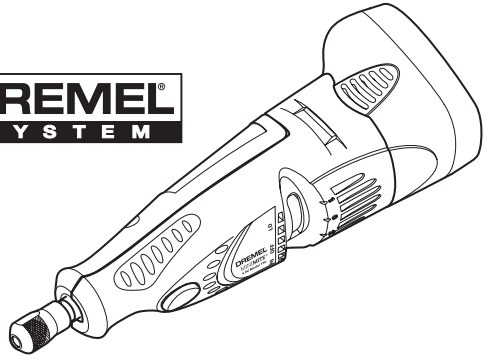
<b>GB</b>	Original instructions	6	<b>S</b>	Översättning av originalinstruktioner	43
<b>D</b>	Übersetzung der originalbedienungsanleitung	11	<b>N</b>	Oversettelse av originalinstruksjonene	48
<b>F</b>	Traduction de la notice originale	17	<b>FIN</b>	Käännös alkuperäisistä ohjeista	54
<b>I</b>	Traduzione delle istruzioni originali	24	<b>EST</b>	Algsete juhiste tõlge	59
<b>NL</b>	Vertaling van de originele gebruiksaanwijzing	30	<b>LT</b>	Originalių instrukcijų vertimas	65
<b>DK</b>	Oversættelse af betjeningsvejledning	37	<b>LV</b>	Sākotnējo norādījumu tulkojums	71

**Dremel Europe  
The Netherlands**

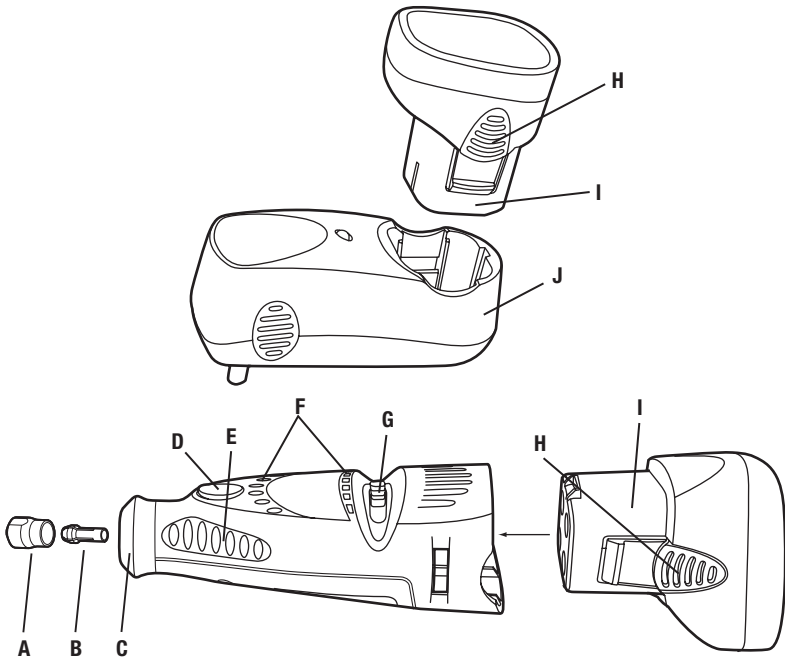
1

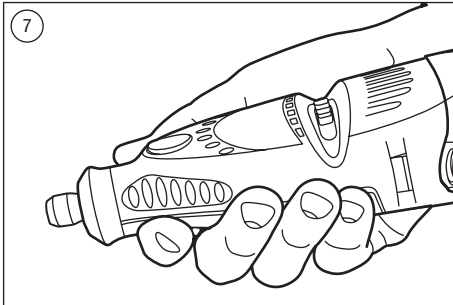
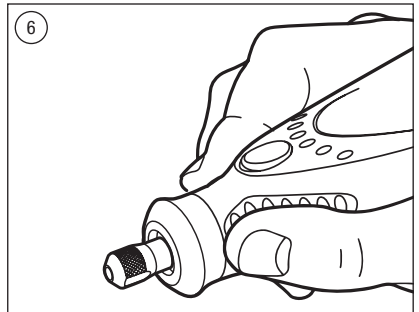
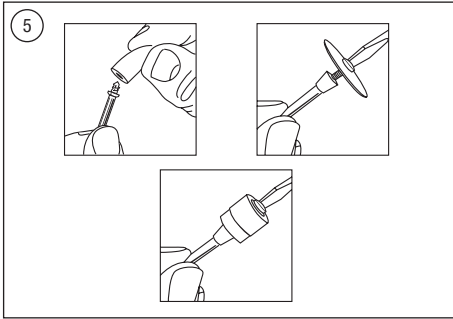
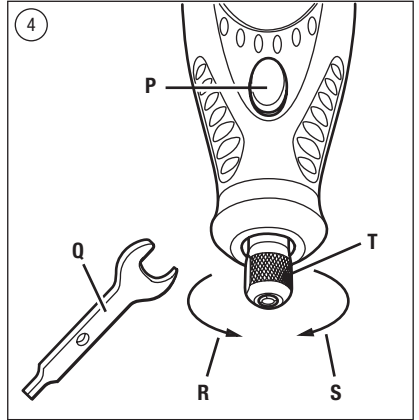
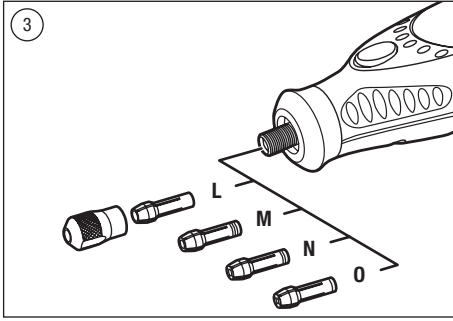


**DREMEL**  
SYSTEM



2





(GB)

**CE DECLARATION OF CONFORMITY** We declare under our sole responsibility that this product is in conformity with the following standards or standardized documents: EN 60 745, EN 55 014, in accordance with the provisions of the directives 2006/95/EC, 2004/108/EC.

**NOISE/VIBRATION** Measured in accordance with EN 60 745 the sound pressure level of this tool is 59 dB(A) and the sound power level 70 dB(A) (standard deviation: 3 dB(A), and the vibration  $\star$  m/s<sup>2</sup> (hand-arm method).

**Technical file at:** SKIL Europe BV (PT-SEU/PJE), 4825 BD Breda, NL.

(D)

**CE KONFORMITÄTSEKLRÄRUNG** Wir erklären in alleiniger Verantwortung, daß dieses Produkt mit den folgenden Normen oder normativen Dokumenten übereinstimmt: EN 60 745, EN 55 014, gemäß den Bestimmungen der Richtlinien 2006/95/EG, 2004/108/EG.

**GERÄUSCH/VIBRATION** Gemessen gemäß EN 60 745 beträgt der Schalldruckpegel dieses Gerätes 59 dB(A) und der Schalleistungspegel 70 dB(A) (Standard- abweichung: 3 dB), und die Vibration  $\star$  m/s<sup>2</sup> (Hand-Arm Methode).

**Technische Unterlagen bei:** SKIL Europe BV (PT-SEU/PJE), 4825 BD Breda, NL.

(F)

**CE DÉCLARATION DE CONFORMITÉ** Nous déclarons sous notre propre responsabilité que ce produit est en conformité avec les normes ou documents normalisés suivants: EN 60 745, EN 55 014, conforme aux réglementations 2006/95/CE, 2004/108/CE.

**RUMOROSITÀ/VIBRAZIONE** Misurato secondo EN 60 745 il livello di pressione acustica di questo utensile è 59 dB(A) e il livello di potenza acustica 70 dB(A) (deviazione standard: 3 dB), e la vibrazione  $\star$  m/s<sup>2</sup> (metodo mano-braccio).

**Dossier technique auprès de:** SKIL Europe BV (PT-SEU/PJE), 4825 BD Breda, NL.

(I)

**CE DICHIARAZIONE DI CONFORMITÀ** Dichiaro, assumendo la piena responsabilità di tale dichiarazione, che il prodotto è conforme alle seguenti normative e ai relativi documenti: EN 60 745, EN 55 014 in base alle prescrizioni delle direttive 2006/95/EG, 2004/108/EG.

**RUMOROSITÀ/VIBRAZIONE** Misurato in conformità al EN 60 745 il livello di pressione acustica di questo utensile è 59 dB(A) ed il livello di potenza acustica 70 dB(A) (deviazione standard: 3 dB), e la vibrazione  $\star$  m/s<sup>2</sup> (metodo mano-braccio).

**Fascicolo tecnico presso:** SKIL Europe BV (PT-SEU/PJE), 4825 BD Breda, NL.

(NL)

**CE CONFORMITEITSVERKLARING** Wij verklaren, dat dit product voldoet aan de volgende normen of normatieve documenten: EN 60 745, EN 55 014, overeenkomstig de bepalingen van de richtlijnen 2006/95/EG, 2004/108/EG.

**GELUID/VIBRATIE** Gemeten volgens EN 60 745 bedraagt het geluidsdrukniveau van deze machine 59 dB(A) en het geluidsvermogen-niveau 70 dB(A) (standaard deviatie: 3 dB), en de vibratie  $\star$  m/s<sup>2</sup> (hand-arm methode).

**Technisch dossier bij:** SKIL Europe BV (PT-SEU/PJE), 4825 BD Breda, NL.

(DK)

**CE KONFORMITÆTSEKLRÆRING** Vi erklærer under almindeligt ansvar, at dette produkt er i overensstemmelse med følgende normer eller normative dokumenter: EN 60 745, EN 55 014, i henhold til bestemmelserne i direktiverne 2006/95/EF, 2004/108/EF.

**STØJ/VIBRATION** Måles efter EN 60 745 er lydtrykniveau af dette værktøj 59 dB(A) og lyd effektniveau 70 dB(A) (standard deviation: 3 dB), og vibrationsniveauet  $\star$  m/s<sup>2</sup> (hånd-arm metoden).

**Teknisk dossier hos:** SKIL Europe BV (PT-SEU/PJE), 4825 BD Breda, NL.

(S)

**CE KONFORMITÆTSEKLRÆRING** Vi intygar och ansvarar för, att denna produkt överensstämmer med följande norm och dokument: EN 60 745, EN 55 014, enl. bestämmelser och riktlinjerna 2006/95/EG, 2004/108/EG.

**LJUD/VIBRATION** Ljudtrycksnivån som uppmätts enligt EN 60 745 är på denna maskin 59 dB(A) och ljud effekt nivån 70 dB(A) (standard deviation: 3 dB), och vibration  $\star$  m/s<sup>2</sup> (hand-arm metod).

**Teknisk tillverkningsdokumentation finns hos:** SKIL Europe BV (PT-SEU/PJE), 4825 BD Breda, NL.

(N)

**CE SAMSVARSEKLRÆRING** Vi erklærer at det er under vårt ansvar at dette produkt er i samsvar med følgende standarder eller standard- dokumenter: EN 60 745, EN 55 014, i samsvar med reguleringer 2006/95/EF, 2004/108/EF. **STØY/VIBRASJON** Målt ifølge EN 60 745 er lydtryknivået av dette verktøyet 59 dB(A) og lydstyrkenivået 70 dB(A) (standard deviasjon: 3 dB), og vibrasjonsnivået  $\star$  m/s<sup>2</sup> (hånd-arm metode).

**Tekniske underlag hos:** SKIL Europe BV (PT-SEU/PJE), 4825 BD Breda, NL.

(FIN)

**CE TODISTUS STANDARDINMUKAISUJUESTA** Todistamme täten ja vastaamme yksin siitä, että tämä tuote on allalueteltujen standardien ja standardoimisasiakirjojen vaatimusten mukainen EN 60 745, EN 55 014, seuraavien sääntöjen mukaisesti 2006/95/EY, 2004/108/EY.

**MELU/TÄRINÄ** Mitattuna EN 60 745 mukaan työkalun melutaso on 59 dB(A) ja yleensä työkalun äänen voimakkuus on 70 dB(A) (keskihajonta: 3 dB), ja äärinäin voimakkuus  $\star$  m/s<sup>2</sup> (käsi-käsiärsä metodi).

**Tekninen tiedosto kohdasta:** SKIL Europe BV (PT-SEU/PJE), 4825 BD Breda, NL.

(EST)

**CE VASTAVUSDEKLARATSIOON** Kinnitame ainvuustajatana, et see toode vastab järgmistele standarditele või normdokumentidele: EN 60 745, EN 55 014 vastavalt direktiivide 2006/95/EÜ, 2004/108/EÜ.

**MÜRA/VIBRATSIOON** Vastavalt koostöös normiga EN 60 745 läbi viidud mõõtmistele on antud seadme helirõhk 59 dB(A) jahellitugevus 70 dB(A) (standardkõrvalekalle: 3 dB), ja vibratsioon  $\star$  m/s<sup>2</sup> (käe-randme-metod).

**Tehniline toimik saadaval aadressil:** SKIL Europe BV (PT-SEU/PJE), 4825 BD Breda, NL.

(LT)

**CE ATITIKTIES DEKLARACIJA** Mes atsakingai pareiškiame, kad šis gaminyš atitinka tokius standartus ir normatyvinius dokumentus: EN 60 745, EN 55 014 pagal reglamentu 2006/95/EB, 2004/108/EB.

**TRIUŠKŠMINGUMAS/VIBRACIJA** Šio prietaiso triukšmingumas buvo išmatuotas pagal EN 60 745 reikalavimus keliamo triukšmo garso slėgio lygis siekia 59 dB(A) ir akustinio galimumo lygis 70 dB(A) (standartinis nuokrypis: 3 dB), ir vibracijos pagreitis rankos plaštakos srityje tipiniu atveju yra mažesnis, kaip  $\star$  m/s<sup>2</sup>.

**Techininė byla laikoma:** SKIL Europe BV (PT-SEU/PJE), 4825 BD Breda, NL.

(LV)

**CE DEKLARĀCIJA PAR ATBILSTĪBU STANDARTIEM** Mēs ar pilnu atbildību paziņojam, ka šis izstrādājums atbilst standartiem vai standartizācijas dokumentiem EN 60 745, EN 55 014 un ir saskaņā ar direktīvām 2006/95/ES, 2004/108/ES.

**TROKŠNIS/VIBRĀCIJA** Saskaņā ar standartu EN 60 745 noteiktais instrumenta radītā trokšņa skaņas spiediena līmenis ir 59 dB(A) un skaņas jaudas līmenis ir 70 dB (A) (pie tipiskās izkliedes: 3 dB), un vibrācijas intensitāte ir  $\star$  m/s<sup>2</sup> (strādājot rokas rēlīmā).

**Tehnisķā lieta no:** SKIL Europe BV (PT-SEU/PJE), 4825 BD Breda, NL.



Skil Europe B.V. A. v.d. Kloot

\*

## 7700

1	3,8 m/s <sup>2</sup>
2	2,4 m/s <sup>2</sup>
3	3,2 m/s <sup>2</sup>
4	4,4 m/s <sup>2</sup>
5	1,5 m/s <sup>2</sup>

	1	2	3	4	5
(GB)	While drilling	While polishing	While sanding	While wire-brushing	Uncertainty (K)
(D)	Beim Bohren	Beim Polieren	Beim Sandpapierschleifen	Beim Abbürsten	Unsicherheit (K)
(F)	Au cours du perçage	Polissage	Au cours du ponçage	Brossage	Incertitude (K)
(I)	In perforazione	In lucidatura	In sabbiatura	In spazzolatura	Non noto (K)
(NL)	Bij het boren	Tijdens het polijsten	Bij het schuren	Tijdens het bewerken met staalborstel	Onzekerheid (K)
(DK)	Under boringen	Ved polering	Under slibningen	Ved stålborstning	Usikkerhed (K)
(S)	Vid borring	Vid polering	Vid sandpappersslipning	Vid arbeten med stålborste	Osäkerhet (K)
(N)	Under drilling	Ved polering	Under sliping med sandpapir	Ved stålborstning	Usikkert (K)
(FIN)	Porattaessa	Kiillotettaessa	Hiottaessa	Käytettäessä teräsharjaa	Epävarmuus (K)
(ES T)	Puurimisel	Poleerimisel	Lihvimisel	Terasharjamisel	Määramatus (K)
(LT)	Kai gręžiama	Poliruojant	Kai šlifuojama	Šveičiant vieliniu šepėčiu	Neaiškumas (K)
(LV)	Urbšanas laikā	Pulējot	Slīpēšanas laikā	Pulējot ar metāla suku	Neskaidrības gadījumā (K)

## USED SYMBOLS



READ THESE INSTRUCTIONS



USE HEARING PROTECTION



USE EYE PROTECTION



USE A DUST MASK

## GENERAL POWER TOOL SAFETY WARNINGS

**WARNING** READ ALL SAFETY WARNINGS AND ALL INSTRUCTIONS.

Failure to follow the warnings and instructions may result in electric shock, fire and/or serious injury. Save all warnings and instructions for future reference. The term "power tool" in the warnings refers to your mains-operated (corded) power tool or battery-operated (cordless) power tool.

## WORK AREA SAFETY

- Keep work area clean and well lit. Cluttered and dark areas invite accidents.
- Do not operate power tools in explosive atmospheres, such as in the presence of flammable liquids, gases or dust. Power tools create sparks which may ignite the dust or fumes.
- Keep children and bystanders away while operating a power tool. Distractions can cause you to lose control.

## ELECTRICAL SAFETY

- Power tool plug must match the outlet. Never modify the plug in any way. Do not use any adapter plugs with earthed (grounded) power tools. Unmodified plugs and matching outlets will reduce risk of electric shock.
- Avoid body contact with earthed or grounded surfaces such as pipes, radiators, ranges and refrigerators. There is an increased risk of electric shock if your body is earthed or grounded.
- Do not expose power tools to rain or wet conditions. Water entering a power tool will increase the risk of electric shock.
- Do not abuse the cord. Never use the cord for carrying, pulling or unplugging the power tool. Keep cord away from heat, oil, sharp edges or moving parts. Damaged or entangled cords increase the risk of electric shock.
- When operating a power tool outdoors, use an extension cord suitable for outdoor use. Use of a cord suitable for outdoor use reduces the risk of electric shock.

- If operating a power tool in a damp location is unavoidable, use an earth leakage circuit breaker (ELCB).

Use of an earth leakage circuit breaker reduces the risk of electric shock.

## PERSONAL SAFETY

- Stay alert, watch what you are doing and use common sense when operating a power tool. Do not use a power tool while you are tired or under the influence of drugs, alcohol or medication. A moment of inattention while operating power tools may result in serious personal injury.
- Use personal protective equipment. Always wear eye protection. Protective equipment such as dust mask, non-skid safety shoes, hard hat, or hearing protection used for appropriate conditions will reduce personal injuries.
- Prevent unintentional starting. Ensure the switch is in the off-position before connecting to power source and/or battery pack, picking up or carrying the tool. Carrying power tools with your finger on the switch or energising power tools that have the switch on invites accidents.
- Remove any adjusting key or wrench before turning the power tool on. A wrench or a key left attached to a rotating part of the power tool may result in personal injury.
- Do not overreach. Keep proper footing and balance at all times. This enables better control of the power tool in unexpected situations.
- Dress properly. Do not wear loose clothing or jewellery. Keep your hair, clothing and gloves away from moving parts. Loose clothes, jewellery or long hair can be caught in moving parts.
- If devices are provided for the connection of dust extraction and collection facilities, ensure these are connected and properly used. Use of these devices can reduce dust related hazards.

## POWER TOOL USE AND CARE

- Do not force the power tool. Use the correct power tool for your application. The correct power tool will do the job better and safer at the rate for which it was designed.
- Do not use the power tool if the switch does not turn it on and off. Any power tool that cannot be controlled with the switch is dangerous and must be repaired.
- Disconnect the plug from the power source and/or the battery pack from the power tool before making any adjustments, changing accessories, or storing power tools. Such preventive safety measures reduce the risk of starting the power tool accidentally.
- Store idle power tools out of the reach of children and do not allow persons unfamiliar with the power tool or these instructions to operate the power tool. Power tools are dangerous in the hands of untrained users.
- Maintain power tools. Check for misalignment or binding of moving parts, breakage of parts and any other condition that may affect the power tools operation. If damaged, have the power tool repaired before use. Many accidents are caused by poorly maintained power tools.

- f. **Keep cutting tools sharp and clean.** *Properly maintained cutting tools with sharp cutting edges are less likely to bind and are easier to control.*
- g. **Use the power tool, accessories and tool bits etc., in accordance with these instructions, taking into account the working conditions and the work to be performed.** *Use of the power tool for operations different from those intended could result in a hazardous situation.*

---

## BATTERY TOOL USE AND CARE

---

- a. **Recharge only with the charger specified by the manufacturer.** *A charger that is suitable for one type of battery pack may create a risk of fire when used with another battery pack.*
- b. **Use power tools only with specifically designated battery packs.** *Use of any other battery packs may create a risk of injury and fire.*
- c. **When battery pack is not in use, keep it away from other metal objects like paper clips, coins, keys, nails, screws, or other small metal objects that can make a connection from one terminal to another.** *Shorting the battery terminals together may cause burns or a fire.*
- d. **Under abusive conditions, liquid may be ejected from the battery; avoid contact. If contact accidentally occurs, flush with water. If liquid contacts eyes, seek medical help.** *Liquid ejected from the battery may cause irritation or burns.*

---

## SERVICE

---

- a. **Have your power tool serviced by a qualified repair person using only identical replacement parts.** *This will ensure that the safety of the power tool is maintained.*

## SAFETY INSTRUCTIONS FOR ALL OPERATIONS

---

### SAFETY WARNINGS COMMON FOR GRINDING, SANDING, WIRE BRUSHING, POLISHING OR ABRASIVE CUTTING-OFF OPERATIONS

---

- a. **This power tool is intended to function as a grinder, sander, wire brush, polisher or cut-off tool.** **Read all safety warnings, instructions, illustrations and specifications provided with this power tool.** *Failure to follow all instructions listed below may result in electric shock, fire and/or serious injury.*
- b. **Do not use accessories which are not specifically designed and recommended by the tool manufacturer.** *Just because the accessory can be attached to your power tool, it does not assure safe operation.*
- c. **The rated speed of the accessory must be at least equal to the maximum speed marked on the power tool.** *Accessories running faster than their rated speed can break and fly apart.*
- d. **The outside diameter and the thickness of your accessory must be within the capacity rating of your power tool.** *Incorrectly sized accessories cannot be adequately guarded or controlled.*
- e. **The arbour size of wheels, flanges, backing pads or any other accessory must properly fit the spindle of the power tool.** *Accessories with arbour holes that do not match the mounting hardware of the power tool will run out of balance, vibrate excessively and may cause loss of control.*
- f. **Do not use a damaged accessory.** **Before each use inspect the accessory such as abrasive wheels for chips and cracks, backing pad for cracks, tear or excess wear, wire brush for loose or cracked wires.** **If power tool or accessory is dropped, inspect for damage or install an undamaged accessory.** **After inspecting and installing an accessory, position yourself and bystanders away from the plane of the rotating accessory and run the power tool at maximum no-load speed for one minute.** *Damaged accessories will normally break apart during this test time.*
- g. **Wear personal protective equipment.** **Depending on application, use face shield, safety goggles or safety glasses.** **As appropriate, wear dust mask, hearing protectors, gloves and workshop apron capable of stopping small abrasive or workpiece fragments.** *The eye protection must be capable of stopping flying debris generated by various operations. The dust mask or respirator must be capable of filtering particles generated by your operation. Prolonged exposure to high intensity noise may cause hearing loss.*
- h. **Keep bystanders a safe distance away from work area.** **Anyone entering the work area must wear personal protective equipment.** *Fragments of workpiece or of a broken accessory may fly away and cause injury beyond immediate area of operation.*
- i. **Hold power tool by insulated gripping surfaces only, when performing an operation where the cutting accessory may contact hidden wiring or its own cord.** *Cutting accessory contacting a "live" wire may make exposed metal parts of the power tool "live" and shock the operator.*
- j. **Position the cord clear of the spinning accessory.** *If you lose control, the cord may be cut or snagged and your hand or arm may be pulled into the spinning accessory.*
- k. **Never lay the power tool down until the accessory has come to a complete stop.** *The spinning accessory may grab the surface and pull the power tool out of your control.*
- l. **Do not run the power tool while carrying it at your side.** *Accidental contact with the spinning accessory could snag your clothing, pulling the accessory into your body.*
- m. **Regularly clean the power tool's air vents.** *The motor's fan will draw the dust inside the housing and excessive accumulation of powdered metal may cause electrical hazards.*
- n. **Do not operate the power tool near flammable materials.** *Sparks could ignite these materials.*
- o. **Do not use accessories that require liquid coolants.** *Using water or other liquid coolants may result in electrocution or shock.*

---

## KICKBACK AND RELATED WARNINGS

---

Kickback is a sudden reaction to a pinched or snagged rotating wheel, backing pad, brush or any other accessory. Pinching or snagging causes rapid stalling of the rotating accessory which in turn causes the uncontrolled power tool to be forced in the direction opposite of the accessory's rotation at the point of the binding. For example, if an abrasive wheel is snagged or pinched by the workpiece, the edge of the wheel that is entering into the pinch point can dig into the surface of the material causing the wheel to climb out or kick out. The wheel may either jump toward or away from the operator, depending on direction of the wheel's movement at the point of pinching. Abrasive wheels may also break under these conditions. Kickback is the result of power tool misuse and/or incorrect operating procedures or conditions and can be avoided by taking proper precautions as given below.

- a. **Maintain a firm grip on the power tool and position your body and arm to allow you to resist kickback forces. Always use auxiliary handle, if provided, for maximum control over kickback or torque reaction during start-up.** *The operator can control torque reactions or kickback forces, if proper precautions are taken.*
- b. **Never place your hand near the rotating accessory.** *Accessory may kickback over your hand.*
- c. **Do not position your body in the area where power tool will move if kickback occurs.** *Kickback will propel the tool in direction opposite to the wheel's movement at the point of snagging.*
- d. **Use special care when working corners, sharp edges etc. Avoid bouncing and snagging the accessory.** *Corners, sharp edges or bouncing have a tendency to snag the rotating accessory and cause loss of control or kickback.*
- e. **Do not attach a saw chain woodcarving blade or toothed saw blade.** *Such blades create frequent kickback and loss of control.*

---

## SAFETY WARNINGS SPECIFIC FOR GRINDING AND ABRASIVE CUTTING-OFF OPERATIONS

---

- a. **Use only wheel types that are recommended for your power tool and the specific guard designed for the selected wheel.** *Wheels for which the power tool was not designed cannot be adequately guarded and are unsafe.*
- b. **Wheels must be used only for recommended applications. For example: do not grind with the side of cut-off wheel.** *Abrasive cut-off wheels are intended for peripheral grinding, side forces applied to these wheels may cause them to shatter.*
- c. **Always use undamaged wheel flanges that are of correct size and shape for your selected wheel.** *Proper wheel flanges support the wheel thus reducing the possibility of wheel breakage. Flanges for cut-off wheels may be different from grinding wheel flanges.*
- d. **Do not use worn down wheels from larger power tools.** *Wheel intended for larger power tool is not suitable for the higher speed of a smaller tool and may shatter.*

---

## ADDITIONAL SAFETY WARNINGS SPECIFIC FOR ABRASIVE CUTTING OFF OPERATIONS

---

- a. **Do not "jam" the cut-off wheel or apply excessive pressure. Do not attempt to make an excessive depth of cut.** *Overstressing the wheel increases the loading and susceptibility to twisting or binding of the wheel in the cut and the possibility of kickback or wheel breakage.*
- b. **Do not position your body in line with and behind the rotating wheel.** *When the wheel, at the point of operation, is moving away from your body, the possible kickback may propel the spinning wheel and the power tool directly at you.*
- c. **When wheel is binding or when interrupting a cut for any reason, switch off the power tool and hold the power tool motionless until the wheel comes to a complete stop. Never attempt to remove the cut-off wheel from the cut while the wheel is in motion otherwise kickback may occur.** *Investigate and take corrective action to eliminate the cause of wheel binding.*
- d. **Do not restart the cutting operation in the workpiece.** *Let the wheel reach full speed and carefully re-enter the cut. The wheel may bind, walk up or kickback if the power tool is restarted in the workpiece.*
- e. **Support panels or any oversized workpiece to minimize the risk of wheel pinching and kickback.** *Large workpieces tend to sag under their own weight. Supports must be placed under the workpiece near the line of cut and near the edge of the workpiece on both sides of the wheel.*
- f. **Use extra caution when making a "pocket cut" into existing walls or other blind areas.** *The protruding wheel may cut gas or water pipes, electrical wiring or objects that can cause kickback.*

---

## SAFETY WARNINGS SPECIFIC FOR SANDING OPERATIONS

---

- a. **Do not use excessively oversized sanding disc paper. Follow manufacturers recommendations, when selecting sanding paper.** *Larger sanding paper extending beyond the sanding pad presents a laceration hazard and may cause snagging, tearing of the disc or kickback.*

---

## SAFETY WARNINGS SPECIFIC FOR POLISHING OPERATIONS


---


- a. **Do not allow any loose portion of the polishing bonnet or its attachment strings to spin freely. Tuck away or trim any loose attachment strings.** *Loose and spinning attachment strings can entangle your fingers or snag on the workpiece.*



## SAFETY WARNINGS SPECIFIC FOR WIRE BRUSHING OPERATIONS

- a. **Be aware that wire bristles are thrown by the brush even during ordinary operation. Do not overstress the wires by applying excessive load to the brush.** *The wire bristles can easily penetrate light clothing and/or skin.*
- b. **If the use of a guard is recommended for wire brushing, do not allow any interference of the wire wheel or brush with the guard.** *Wire wheel or brush may expand in diameter due to work load and centrifugal forces.*
- c. **Do not exceed 15000 min<sup>-1</sup> when using wire brushes.**

 **WARNING** Do not work with materials containing asbestos (asbestos is considered carcinogenic).

 **WARNING** Take protective measures during work when dust can develop that is harmful to one's health, combustible or explosive (some dusts are considered carcinogenic); wear a dust mask and work with dust/ chip extraction when connectable.

## ENVIRONMENT

### DISPOSAL

The machine, accessories and packaging should be sorted for environmental-friendly recycling.

### ONLY FOR EUROPEAN COUNTRIES



Do not dispose of power tools into household waste! According to the European Guideline 2002/96/EC for Waste Electrical and Electronic Equipment and its implementation into national right, power tools that are no longer usable must be collected separately and disposed of in an environmentally correct manner.

## SPECIFICATIONS

### GENERAL SPECIFICATIONS

Voltage Rating ..... 7,2V  
Amperage Rating ..... 0,7Ah  
No Load Speed .....  $n_0$  10000/20000 min<sup>-1</sup>  
Collet Capacity ..... 0,8mm, 1,6mm, 2,4mm, 3,2mm

### EXTENSION CORDS

Use completely unrolled and safe extension cords with a capacity of 5 Amps.

## ASSEMBLY

ALWAYS TURN OFF THE TOOL BEFORE CHANGING ACCESSORIES, CHANGING COLLETS, OR SERVICING THE TOOL.

## GENERAL

The Dremel multitool is a high quality precision tool that can be used to perform detailed and intricate tasks. The wide range of Dremel accessories and attachments allow you to perform a large variety of tasks. These include tasks such as sanding, carving and engraving, cutting, cleaning and polishing.

PICTURE 1

PICTURE 2

- A. Collet Nut
- B. Collet
- C. Housing Cap
- D. Shaft Lock Button
- E. Grip
- F. Ventilation Openings
- G. On/Off Switch and Speed Dial
- H. Release Tab
- I. Battery
- J. Charger

## CHARGING THE TOOL

The Cordless Rotary Tool is not fully charged. The tool is equipped with a removable battery pack. Be sure to charge pack prior to initial use.

To charge the tool:

1. Put the switch in the "OFF" position. PICTURE 2
2. Squeeze the release tabs on both sides of the battery pack and remove pack from back of tool. PICTURE 2
3. Align exterior shape of battery pack with exterior shape of charger (arrows on battery will point to the arrows located on charger), squeeze release tabs, insert battery pack into charger and release pressure on tabs so it locks in place.
4. Plug charger into the power source. The green LED light indicates connection has been made and the battery pack is charging. Under normal use the tool requires 3 hours charging time to reach full capacity. When charging is complete, LED on charger will turn off.
5. When charging is completed, squeeze release tabs and remove battery pack from charger.
6. Align exterior shape of battery pack with exterior shape of the housing of tool. Squeeze release tabs, insert battery pack into back of tool and release so it locks in place."

## IMPORTANT CHARGING NOTES

1. The battery pack accepts only about 80% of its maximum capacity with its first few charge cycles. However, after the first few charge cycles, the battery will charge to full capacity.
2. The charger was designed to fast charge the battery only when the battery temperature is between 4 °C and 41 °C.
3. A substantial drop in operating time per charge may mean that the battery pack is nearing the end of its life and should be replaced.

*NOTE: Use of chargers or battery packs not sold by Dremel will void the warranty.*

---

## COLLETS

---

The Dremel accessories available for the multitool come with various shank sizes. Four size collets are available to accommodate the different shank sizes. Collet sizes are identified by the rings on the back of the collet.

### PICTURE 3

- L. 3,2 mm Collet without ring
- M. 2,4 mm Collet with three rings
- N. 1,6 mm Collet with two rings
- O. 0,8 mm Collet with one ring

Always use the collet that matches the shank size of the accessory you plan to use. Do not force a larger diameter shank into a smaller collet.

---

## CHANGING COLLETS

---

### PICTURE 4

- P. Shaft Lock Button
- Q. Collet Wrench
- R. To tighten
- S. To loosen
- T. Collet Nut

1. Press the shaft lock button, hold down and rotate the shaft by hand until it engages the shaft. *Do not engage the shaft lock button while multitool is running.*
2. With the shaft lock button engaged, loosen and remove the collet nut. Use the collet wrench if necessary.
3. Remove the collet by pulling it free from the shaft.
4. Install the appropriate size collet fully into the shaft and reinstall the collet nut finger tight. Do not fully tighten the nut when there is no bit or accessory installed.

---

## CHANGING ACCESSORIES

---

### PICTURE 4

- P. Shaft Lock Button

1. Press the shaft lock button and rotate the shaft by hand until it engages the shaft lock. *Do not engage the shaft lock button while multitool is running.*
2. With the shaft lock button engaged, loosen (do not remove) the collet nut. Use the collet wrench if necessary.
3. Insert the bit or accessory shank fully into the collet.
4. With the shaft lock button engaged, finger tighten the collet nut until the bit or accessory shank is gripped by the collet. Use the collet wrench to secure the bit or accessory in the collet.

*NOTE: Be sure to read the instructions supplied with your Dremel accessory for further information on its use.*

Use only Dremel tested, high performance accessories.

---

## USE

---

---

### GETTING STARTED

---

The first step in using the multitool is to get the "feel" of it. Hold it in your hand and feel its weight and balance. Feel the taper of the housing. This taper permits the tool to be grasped much like a pen or pencil. The unique softgrip on the nose allows for added comfort and control during use.

*Always hold the tool away from your face. Accessories can be damaged during handling and can fly apart as they come up to speed.*

*When holding tool, do not cover the ventilation openings with your hand. Blocking the ventilation openings could cause the motor to overheat.*

**IMPORTANT!** Practice on scrap material first to see how the tool's high-speed action performs. Keep in mind that your multitool will perform best by allowing the speed, along with the correct Dremel accessory and attachment, to do the work for you. Do not put pressure on the tool during use, if possible. Instead, lower the spinning accessory lightly to the work surface and allow it to touch the point at which you want to begin. Concentrate on guiding the tool over the work using very little pressure from your hand. Allow the accessory to do the work. Usually it is better to make a series of passes with the tool rather than to do the entire job with one pass. A gentle touch gives the best control and reduces the chance of error.

For best control in close work, grip the multitool like a pencil between your thumb and forefinger. PICTURE 6

The "golf" grip method is used for heavier operations such as grinding or cutting. PICTURE 7

---

### OPERATING SPEEDS

---

This tool is a high speed multitool. Its speed can be set to 10000 or 20000 min<sup>-1</sup>. Adjusting the speed to your project will give a better end result. To achieve the best results when working with different materials, set the speed control to suit the job. To select the right speed for the accessory in use, practice with scrap material first.

The 7,2V Ni-Cd multitool switch settings are marked on the speed control switch.

Most jobs can be accomplished using the tool at the highest setting. However, certain materials (some plastics and metals) can be damaged by high-speed generated heat and should be worked on at relatively low speeds. Low speed operation (15000 min<sup>-1</sup> or less) is usually best for polishing operations employing the felt polishing accessories. All brushing applications require lower speeds to avoid wire discharge from the holder. Let the performance of the tool do the work for you when using lower speed settings. Higher speeds are better for hardwoods, metals, glass and for drilling, carving, cutting, routing, shaping and cutting dadoes or rabbets in wood.

Some guidelines regarding tool speed:

- Plastic and other materials that melt at low temperatures should be cut at low speeds.
- Polishing, buffing and cleaning with a wire brush must be done at speeds not greater than 15000 min<sup>-1</sup> to prevent damage to the brush and your material.

- Wood should be cut at high speed.
- Iron or steel should be cut at high speed.
- If a high speed steel cutter starts to vibrate, it usually indicates that it is running too slow.
- Aluminium, copper alloys, lead alloys, zinc alloys and tin may be cut at various speeds, depending on the type of cutting being done. Use a paraffin (not water) or other suitable lubricant on the cutter to prevent the cut material from adhering to the cutter teeth.

*NOTE: Increasing pressure on the tool is not the answer when it is not performing properly. Try a different accessory or speed setting to achieve the desired result.*

## MAINTENANCE

*Preventative maintenance performed by unauthorized personnel may result in misplacing of internal wires and components which could cause serious hazard. We recommend that all tool service be performed by a Dremel Service Facility. To avoid injury from unexpected starting or electrical shock, always turn off powertool before performing service or cleaning.*

## CLEANING THE TOOL

TURN OFF TOOL BEFORE CLEANING

Ventilation openings and switch levers must be kept clean and free of foreign matter. Do not attempt to clean by inserting pointed objects through openings.

*The tool may be cleaned with compressed air. Always wear safety goggles when cleaning tool with compressed air.*

There is no need to lubricate the Dremel multitool.

*Certain cleaning agents and solvents will damage plastic parts. Some of these are: gasoline, carbon tetrachloride, chlorinated cleaning solvents, ammonia and household detergents that contain ammonia.*

Clean the "grip" areas of the tool using a damp cloth. Tougher soiled areas may require more than one wipe application to get clean.

## SERVICE AND WARRANTY

This DREMEL product is guaranteed in accordance with statutory/country-specific regulations; damage due to normal wear and tear, overload or improper handling will be excluded from the guarantee.

In case of a complaint, send the tool *undismantled* together with proof of purchase to your dealer.

## CONTACT DREMEL

For more information on the Dremel assortment, support and hotline, go to [www.dremel.com](http://www.dremel.com)

Dremel Europe, P.O. Box 3267, 4800 DG Breda, The Netherlands

# ÜBERSETZUNG DER ORIGINAL-BEDIENUNGSANLEITUNG

D

## VERWENDETE SYMBOLE



LESEN SIE DIESE HINWEISE



TRAGEN SIE GEHÖRSCHUTZ



TRAGEN SIE AUGENSCHUTZ



TRAGEN SIE EINE STAUBMASKE

## ALLGEMEINE SICHERHEITSHINWEISE FÜR ELEKTROWERKZEUGE



**⚠️ WARNUNG** LESEN SIE SÄMTLICHE SICHERHEITSHINWEISE UND ANWEISUNGEN

*Die Nichtbeachtung der folgenden Sicherheitshinweise und Anweisungen kann zu elektrischem Schlag, Feuer und/oder schweren Verletzungen führen.*

**Bewahren Sie alle Sicherheitshinweise und Anweisungen zum künftigen Nachschlagen auf.**

*Der in den Sicherheitshinweisen verwendete Begriff „Elektrowerkzeug“ bezieht sich auf netzbetriebene Elektrowerkzeuge (kabelgebunden) und auf akkubetriebene Elektrowerkzeuge (kabellos).*

## SICHERHEIT AM ARBEITSPLATZ

- Halten Sie Ihren Arbeitsbereich sauber und aufgeräumt.**  
*Unordnung und unbeleuchtete Arbeitsbereiche können zu Unfällen führen.*
- Arbeiten Sie mit dem Gerät nicht in explosionsgefährdeter Umgebung, in der sich brennbare Flüssigkeiten, Gase oder Stäube befinden.**  
*Elektrowerkzeuge erzeugen Funken, die den Staub oder die Dämpfe entzünden können.*
- Halten Sie Kinder und andere Personen während der Benutzung des Elektrowerkzeugs fern.** *Bei Ablenkung können Sie die Kontrolle über das Gerät verlieren.*

## ELEKTRISCHE SICHERHEIT

- Der Anschlussstecker des Gerätes muss in die Steckdose passen. Der Stecker darf in keiner Weise verändert werden. Verwenden Sie keine Adapterstecker gemeinsam mit schutzgeerdeten Geräten.** *Unveränderte Stecker und passende Steckdosen verringern das Risiko eines elektrischen Schlages.*

- b. **Vermeiden Sie Körperkontakt mit geerdeten Oberflächen wie Rohren, Heizungen, Herden und Kühlschränken.** *Es besteht ein erhöhtes Risiko durch elektrischen Schlag, wenn Ihr Körper geerdet ist.*
- c. **Halten Sie das Gerät von Regen oder Nässe fern.** *Das Eindringen von Wasser in ein Elektrogerät erhöht das Risiko eines elektrischen Schlages.*
- d. **Zweckentfremden Sie das Kabel nicht, um das Gerät zu tragen, aufzuhängen oder um den Stecker aus der Steckdose zu ziehen.** *Halten Sie das Kabel fern von Hitze, Öl, scharfen Kanten oder sich bewegenden Geräteteilen.* *Beschädigte oder verwickelte Kabel erhöhen das Risiko eines elektrischen Schlages.*
- e. **Wenn Sie mit einem Elektrowerkzeug im Freien arbeiten, verwenden Sie ein Verlängerungskabel, das für den Außenbereich geeignet ist.** *Die Anwendung eines für den Außenbereich geeigneten Verlängerungskabels verringert das Risiko eines elektrischen Schlages.*
- f. **Wenn der Betrieb des Elektrowerkzeuges in feuchter Umgebung nicht vermeidbar ist, verwenden Sie einen Fehlerstromschutzschalter.** *Der Einsatz eines Fehlerstromschutzschalters vermindert das Risiko eines elektrischen Schlages.*

---

## SICHERHEIT VON PERSONEN

---

- a. **Seien Sie aufmerksam, achten Sie darauf, was Sie tun und gehen Sie mit Vernunft an die Arbeit mit einem Elektrowerkzeug.** *Benutzen Sie das Gerät nicht, wenn Sie müde sind oder unter dem Einfluss von Drogen, Alkohol oder Medikamenten stehen.* *Ein Moment der Unachtsamkeit bei dem Gebrauch des Gerätes kann zu ernsthaften Verletzungen führen.*
- b. **Tragen Sie persönliche Schutzausrüstung und immer eine Schutzbrille.** *Das Tragen persönlicher Schutzausrüstung, wie Staubmaske, rutschfeste Sicherheitsschuhe, Schutzhelm oder Gehörschutz, je nach Art und Einsatz des Elektrowerkzeuges, verringert das Risiko von Verletzungen.*
- c. **Vermeiden Sie eine unbeabsichtigte Inbetriebnahme.** *Vergewissern Sie sich, dass das Elektrowerkzeug ausgeschaltet ist, bevor Sie den Stecker in die Steckdose stecken.* *Wenn Sie beim Tragen des Gerätes den Finger am Schalter haben oder das eingeschaltete Gerät an die Stromversorgung anschließen, kann dies zu Unfällen führen.*
- d. **Entfernen Sie Einstellwerkzeuge oder Schraubenschlüssel, bevor Sie das Gerät einschalten.** *Ein Werkzeug oder Schlüssel, der sich in einem drehenden Geräteteil befindet, kann zu Verletzungen führen.*
- e. **Überschätzen Sie sich nicht.** *Sorgen Sie für einen sicheren Stand und halten Sie jederzeit das Gleichgewicht.* *Dadurch können Sie das Gerät in unerwarteten Situationen besser kontrollieren.*
- f. **Tragen Sie geeignete Kleidung.** *Tragen Sie keine weite Kleidung oder Schmuck.* *Halten Sie Haare, Kleidung und Handschuhe fern von sich bewegenden Teilen.* *Lockere Kleidung, Schmuck oder lange Haare können von sich bewegenden Teilen erfasst werden.*

- g. **Wenn Staubabsaug- und -auffangeinrichtungen montiert werden können, vergewissern Sie sich, dass diese angeschlossen sind und richtig verwendet werden.** *Das Verwenden dieser Einrichtungen verringert die Gefährdungen durch Staub.*

---

## SORGFÄLTIGER UMGANG MIT UND GEBRAUCH VON ELEKTROWERKZEUGEN

---

- a. **Überlasten Sie das Gerät nicht.** *Verwenden Sie für Ihre Arbeit das dafür bestimmte Elektrowerkzeug.* *Mit dem passenden Elektrowerkzeug arbeiten Sie besser und sicherer im angegebenen Leistungsbereich.*
- b. **Benutzen Sie kein Elektrowerkzeug, dessen Schalter defekt ist.** *Ein Elektrowerkzeug, das sich nicht mehr ein- oder ausschalten lässt, ist gefährlich und muss repariert werden.*
- c. **Ziehen Sie den Stecker aus der Steckdose und/oder entfernen Sie den Akku, bevor Sie Geräteeinstellungen vornehmen, Zubehörteile wechseln oder das Gerät weglegen.** *Diese Vorsichtsmaßnahme verhindert den unbeabsichtigten Start des Gerätes.*
- d. **Bewahren Sie Elektrowerkzeuge außerhalb der Reichweite von Kindern auf.** *Lassen Sie niemanden das Gerät benutzen, der mit diesem nicht vertraut ist oder diese Anweisungen nicht gelesen hat.* *Elektrowerkzeuge sind gefährlich, wenn sie von unerfahrenen Personen benutzt werden.*
- e. **Pflegen Sie das Gerät mit Sorgfalt.** *Kontrollieren Sie, ob bewegliche Geräteteile einwandfrei funktionieren und nicht klemmen, ob Teile gebrochen oder so beschädigt sind, dass die Funktion des Gerätes beeinträchtigt ist.* *Lassen Sie beschädigte Teile vor dem Einsatz des Gerätes reparieren.* *Viele Unfälle haben ihre Ursache in schlecht gewarteten Elektrowerkzeugen.*
- f. **Halten Sie Schneidwerkzeuge scharf und sauber.** *Sorgfältig gepflegte Schneidwerkzeuge mit scharfen Schneidkanten verkleben sich weniger und sind leichter zu führen.*
- g. **Verwenden Sie Elektrowerkzeug, Zubehör, Einsatzwerkzeuge usw. entsprechend diesen Anweisungen und so, wie es für diesen speziellen Gerätetyp vorgeschrieben ist.** *Berücksichtigen Sie dabei die Arbeitsbedingungen und die auszuführende Tätigkeit.* *Der Gebrauch von Elektrowerkzeugen für andere als die vorgesehenen Anwendungen kann zu gefährlichen Situationen führen.*

---

## HANDHABUNG UND PFLEGE DES AKKUWERKZEUGES

---

- a. **Laden Sie Akkus nur mit dem vom Hersteller angegebenen Ladegerät auf.** *Es besteht Brandgefahr, wenn ein Ladegerät, das für eine bestimmte Art von Akkus geeignet ist, für andere Akkus verwendet wird.*
- b. **Verwenden Sie für Elektrowerkzeuge nur die dafür vorgesehenen Akkus.** *Die Verwendung anderer Akkus kann zu Verletzungen und Feuer führen.*
- c. **Halten Sie nicht benutzte Akkus von Metallgegenständen wie Heftklammern, Münzen, Schlüsseln, Nägeln, Schrauben oder anderen Metallteilen fern, die zu einer Überbrückung der Pole führen können.** *Ein Kurzschluss der Akkupole kann Verbrennungen oder Feuer verursachen.*

- d. Bei falscher Verwendung kann Flüssigkeit aus dem Akku austreten – vermeiden Sie den Kontakt hiermit. Bei versehentlichem Kontakt mit Wasser spülen. Wenn die Flüssigkeit in die Augen gerät, suchen Sie ärztliche Hilfe auf. *Austretende Akkuflüssigkeit kann zu Hautreizungen oder Verbrennungen führen.*

---

## SERVICE

---

- a. Lassen Sie Ihr Gerät nur von qualifiziertem Fachpersonal und nur mit Original-Ersatzteilen reparieren. Damit wird sichergestellt, dass die Sicherheit des Gerätes erhalten bleibt.

## SICHERHEITSHINWEISE FÜR ALLE ANWENDUNGEN

### GEMEINSAME WARNHINWEISE ZUM SCHLEIFEN, SANDPAPIERSCHLEIFEN, ARBEITEN MIT DRAHTBÜRSTEN, POLIEREN UND TRENNSCHLEIFEN

---

- a. Dieses Elektrowerkzeug ist zu verwenden als Schleifer, Sandpapierschleifer, Drahtbürste, Polierer und Trennschleifmaschine. Beachten Sie alle Warnhinweise, Anweisungen, Darstellungen und Daten, die Sie mit dem Werkzeug erhalten. *Wenn Sie die folgenden Anweisungen nicht beachten, kann es zu elektrischem Schlag, Feuer und/oder schweren Verletzungen kommen.*
- b. Verwenden Sie kein Zubehör, das vom Hersteller nicht speziell für dieses Elektrowerkzeug vorgesehen und empfohlen wurde. *Nur weil Sie das Zubehör an Ihrem Elektrowerkzeug befestigen können, garantiert das keine sichere Verwendung.*
- c. Die zulässige Drehzahl des Zubehörs muss mindestens so hoch sein wie die auf dem Elektrowerkzeug angegebene Höchstdrehzahl. *Zubehör, das sich schneller als zulässig dreht, kann zerstört werden.*
- d. Außendurchmesser und Dicke des Zubehörs müssen den Maßangaben Ihres Elektrowerkzeugs entsprechen. *Falsch bemessenes Zubehör kann nicht ausreichend abgeschirmt oder kontrolliert werden.*
- e. Schleifscheiben, Flansche, Schleifteller oder anderes Zubehör müssen genau auf die Schleifspindel Ihres Elektrowerkzeugs passen. *Zubehör, das nicht genau auf die Schleifspindel des Elektrowerkzeugs passt, dreht sich ungleichmäßig, vibriert sehr stark und kann zum Verlust der Kontrolle führen.*
- f. Verwenden Sie kein beschädigtes Zubehör. Kontrollieren Sie vor jeder Verwendung Zubehör wie Schleifscheiben auf Abspaltungen und Risse, Schleifteller auf Risse, Verschleiß oder starke Abnutzung, Drahtbürsten auf lose oder gebrochene Drähte. Wenn das Elektrowerkzeug oder das Zubehör herunterfällt, überprüfen Sie, ob es beschädigt ist, oder verwenden Sie ein unbeschädigtes Zubehör. Wenn Sie das Zubehör kontrolliert und eingesetzt haben, bleiben Sie und in der Nähe befindliche Personen außerhalb der Ebene des

rotierenden Zubehörs. Lassen Sie das Werkzeug eine Minute lang mit Höchstdrehzahl laufen. *Beschädigtes Zubehör bricht meist in dieser Testzeit.*

- g. Tragen Sie persönliche Schutzausrüstung. Verwenden Sie je nach Anwendung Vollgesichtsschutz, Augenschutz oder Schutzbrille. Soweit angemessen, tragen Sie Staubmaske, Gehörschutz, Schutzhandschuhe oder Spezialschürze, die kleine Schleif- und Materialpartikel von Ihnen fernhält. *Die Augen sollen vor herumfliegenden Fremdkörpern geschützt werden, die bei verschiedenen Anwendungen entstehen. Staub- oder Atemschutzmaske müssen den bei der Anwendung entstehenden Staub filtern. Wenn Sie lange lautem Lärm ausgesetzt sind, können Sie einen Hörverlust erleiden.*
- h. Achten Sie bei anderen Personen auf sicheren Abstand zu Ihrem Arbeitsbereich. Jeder, der den Arbeitsbereich betritt, muss persönliche Schutzausrüstung tragen. *Bruchstücke des Werkstücks oder gebrochenes Zubehör können wegfiegen und Verletzungen auch außerhalb des direkten Arbeitsbereichs verursachen.*
- i. Fassen Sie das Elektrowerkzeug nur an den isolierten Griffflächen an, wenn Sie Arbeiten ausführen, bei denen das Zubehör verborgene Stromleitungen oder das eigene Netzkabel treffen kann. *Kontakt mit einer spannungsführenden Leitung setzt auch Metallteile des Elektrowerkzeuges unter Spannung und führt zu einem elektrischen Schlag.*
- j. Halten Sie das Netzkabel von rotierendem Zubehör fern. *Wenn Sie die Kontrolle über das Werkzeug verlieren, kann das Netzkabel durchtrennt oder erfasst werden und Ihre Hand oder Ihr Arm in das rotierende Zubehör geraten.*
- k. Legen Sie das Elektrowerkzeug niemals ab, bevor das Zubehör völlig zum Stillstand gekommen ist. *Das rotierende Zubehör kann in Kontakt mit der Ablagefläche geraten, wodurch Sie die Kontrolle über das Elektrowerkzeug verlieren können.*
- l. Lassen Sie das Elektrowerkzeug nicht laufen, während Sie es tragen. *Ihre Kleidung kann durch zufälligen Kontakt mit dem rotierenden Zubehör erfasst werden, und das Zubehör sich in Ihren Körper bohren.*
- m. Reinigen Sie regelmäßig die Lüftungsschlitze Ihres Elektrowerkzeugs. *Das Motorgebläse zieht Staub in das Gehäuse, und eine starke Ansammlung von Metallstaub kann elektrische Gefahren verursachen.*
- n. Verwenden Sie das Elektrowerkzeug nicht in der Nähe brennbarer Materialien. *Funken können diese Materialien entzünden.*
- o. Verwenden Sie kein Zubehör, das flüssige Kühlmittel erfordern. *Die Verwendung von Wasser oder anderen flüssigen Kühlmitteln kann zu einem elektrischen Schlag führen.*

---

## RÜCKSCHLAG UND ENTSPRECHENDE WARNHINWEISE

---

Rückschlag ist die plötzliche Reaktion infolge eines hakenden oder blockierten drehenden Zubehörs, wie Schleifscheibe, Schleifteller, Drahtbürste usw. Verhaken oder Blockieren führt zu einem abrupten Stopp des rotierenden Zubehörs. Dadurch wird ein unkontrolliertes Elektrowerkzeug gegen die Drehrichtung

des Zubehörs an der Blockierstelle beschleunigt. Wenn z. B. eine Schleifscheibe im Werkstück hakt oder blockiert, kann sich die Kante der Schleifscheibe, die in das Werkstück eintaucht, verfangen und dadurch die Schleifscheibe ausbrechen oder einen Rückschlag verursachen. Die Schleifscheibe bewegt sich dann auf die Bedienperson zu oder von ihr weg, je nach Drehrichtung der Scheibe an der Blockierstelle. Hierbei können Schleifscheiben auch brechen. Ein Rückschlag ist die Folge eines falschen oder fehlerhaften Gebrauchs des Elektrowerkzeugs. Er kann durch geeignete Vorsichtsmaßnahmen, wie nachfolgend beschrieben, verhindert werden.

- a. **Halten Sie das Elektrowerkzeug gut fest und bringen Sie Ihren Körper und Ihre Arme in eine Position, in der Sie die Rückschlagkräfte abfangen können. Verwenden Sie immer den Zusatzgriff, falls vorhanden, um die größtmögliche Kontrolle über Rückschlagkräfte oder Reaktionsmomente beim Hochlauf zu haben.** *Die Bedienperson kann durch geeignete Vorsichtsmaßnahmen die Rückschlag- und Reaktionskräfte beherrschen.*
- b. **Bringen Sie Ihre Hand nie in die Nähe rotierender Zubehöre.** *Das Zubehör kann sich beim Rückschlag über Ihre Hand bewegen.*
- c. **Meiden Sie mit Ihrem Körper den Bereich, in den das Elektrowerkzeug bei einem Rückschlag bewegt wird.** *Der Rückschlag treibt das Elektrowerkzeug in die Richtung entgegengesetzt zur Bewegung der Schleifscheibe an der Blockierstelle.*
- d. **Arbeiten Sie besonders vorsichtig im Bereich von Ecken, scharfen Kanten usw. Verhindern Sie, dass Zubehöre vom Werkstück zurückprallen und verklemmen.** *Das rotierende Zubehör neigt bei Ecken, scharfen Kanten oder wenn es abprallt dazu, sich zu verklemmen. Dies verursacht einen Kontrollverlust oder Rückschlag.*
- e. **Verwenden Sie kein Ketten- oder gezähntes Sägeblatt.** *Solche Zubehöre verursachen häufig einen Rückschlag oder den Verlust der Kontrolle über das Elektrowerkzeug.*

---

## BESONDERE WARNHINWEISE ZUM SCHLEIFEN UND TRENNSCHLEIFEN

---

- a. **Verwenden Sie ausschließlich die für Ihr Elektrowerkzeug zugelassenen Schleifkörper und die für diese Schleifkörper vorgesehene Schutzhaube.** *Schleifkörper, die nicht für das Elektrowerkzeug vorgesehen sind, können nicht ausreichend abgeschirmt werden und sind unsicher.*
- b. **Schleifkörper dürfen nur für die empfohlenen Einsatzmöglichkeiten verwendet werden. Z. B.: Schleifen Sie nie mit der Seitenfläche einer Trennscheibe.** *Trennscheiben sind zum Materialabtrag mit der Scheibenkante bestimmt. Seitliche Kräfteinwirkung auf diese Schleifkörper kann sie zerbrechen.*
- c. **Verwenden Sie immer unbeschädigte Spannflansche in der richtigen Größe und Form für die von Ihnen gewählte Schleifscheibe.** *Geeignete Flansche stützen die Schleifscheibe und verringern so die Gefahr eines Schleifscheibenbruchs. Flansche für Trennscheiben können sich von den Flanschen für andere Schleifscheiben unterscheiden.*

- d. **Verwenden Sie keine abgenutzten Schleifscheiben von größeren Elektrowerkzeugen.** *Schleifscheiben für größere Elektrowerkzeuge sind nicht für die höheren Drehzahlen von kleineren Elektrowerkzeugen ausgelegt und können brechen.*

---

## WEITERE BESONDERE WARNHINWEISE ZUM TRENNSCHLEIFEN

---

- a. **Vermeiden Sie ein Blockieren der Trennscheibe oder zu hohen Anpressdruck. Führen Sie keine übermäßig tiefen Schnitte aus.** *Eine Überlastung der Trennscheibe erhöht deren Beanspruchung und die Anfälligkeit zum Verkanten oder Blockieren und damit die Möglichkeit eines Rückschlags oder Schleifkörperbruchs.*
- b. **Meiden Sie den Bereich vor und hinter der rotierenden Trennscheibe.** *Wenn Sie die Trennscheibe im Werkstück von sich wegbewegen, kann im Falle eines Rückschlags das Elektrowerkzeug mit der rotierenden Scheibe direkt auf Sie zugeschleudert werden.*
- c. **Falls die Trennscheibe verklemmt oder Sie die Arbeit unterbrechen, schalten Sie das Elektrowerkzeug aus und halten Sie es ruhig, bis die Scheibe zum Stillstand gekommen ist. Versuchen Sie nie, die noch laufende Trennscheibe aus dem Schnitt zu ziehen, sonst kann ein Rückschlag erfolgen.** *Ermitteln und beheben Sie die Ursache für das Verklemmen.*
- d. **Schalten Sie das Elektrowerkzeug nicht wieder ein, solange es sich im Werkstück befindet. Lassen Sie die Trennscheibe erst ihre volle Drehzahl erreichen, bevor Sie den Schnitt vorsichtig fortsetzen. Anderenfalls kann die Scheibe verhaken, aus dem Werkstück springen oder einen Rückschlag verursachen.**
- e. **Stützen Sie Platten oder große Werkstücke ab, um das Risiko eines Rückschlags durch eine eingeklemmte Trennscheibe zu vermindern.** *Große Werkstücke können sich unter ihrem eigenen Gewicht durchbiegen. Das Werkstück muss auf beiden Seiten abgestützt werden, und zwar sowohl in der Nähe des Trennschnitts als auch an der Kante.*
- f. **Seien Sie besonders vorsichtig bei „Taschenschnitten“ in bestehende Wände oder andere nicht einsehbare Bereiche.** *Die eintauchende Trennscheibe kann beim Schneiden in Gas- oder Wasserleitungen, elektrische Leitungen oder andere Objekte einen Rückschlag verursachen.*

---

## BESONDERE WARNHINWEISE ZUM SANDPAPIERSCHLEIFEN

---

- a. **Benutzen Sie keine überdimensionierten Schleifblätter.** *Benutzen Sie keine überdimensionierten Schleifblätter, sondern befolgen Sie die Herstellerangaben zur Schleifblattgröße. Schleifblätter, die über den Schleifteller hinausragen, können Verletzungen verursachen sowie zum Blockieren, Zerreißen der Schleifblätter oder zum Rückschlag führen.*

## BESONDERE WARNHINWEISE ZUM POLIEREN

- a. **Vermeiden Sie lose Teil der Polierhaube, insbesondere Befestigungsschnüre. Verstaun oder kürzen Sie die Befestigungsschnüre.** *Lose, sich mitdrehende Befestigungsschnüre können Ihre Finger erfassen oder sich im Werkstück verfangen.*

## BESONDERE WARNHINWEISE ZUM ARBEITEN MIT DRAHTBÜRSTEN

- a. **Beachten Sie, dass die Drahtbürste auch während des üblichen Gebrauchs Drahtstücke verliert. Überlasten Sie die Drähte nicht durch zu hohen Anpressdruck.** *Wegfliegende Drahtstücke können sehr leicht durch dünne Kleidung und/oder die Haut dringen.*
- b. **Wird eine Schutzhaube empfohlen, verhindern Sie, dass sich Schutzhaube und Drahtbürste berühren können.** *Teller- und Topfbürsten können durch Anpressdruck und Zentrifugalkräfte ihren Durchmesser vergrößern.*
- c. **Bei der Verwendung von Drahtbürsten dürfen 15000 min<sup>-1</sup> nicht überschritten werden.**

**⚠️ WARNUNG** Bearbeiten Sie kein asbesthaltiges Material (Asbest gilt als krebserregend).

**⚠️ WARNUNG** Treffen Sie Schutzmaßnahmen, wenn beim Arbeiten gesundheitsschädliche, brennbare oder explosive Stäube entstehen können (manche Stäube gelten als krebserregend); tragen Sie eine Staubschutzmaske und verwenden Sie, wenn anschließbar, eine Staub-/ Späneabsaugung.

## UMGEBUNG

### ENTSORGUNG

Elektrowerkzeuge, Zubehör und Verpackungen sollen einer umweltgerechten Wiederverwertung zugeführt werden.

## NUR FÜR EUROPÄISCHE LÄNDER



Werfen Sie Elektrowerkzeuge nicht in den Hausmüll! Gemäß der Europäischen Richtlinie 2002/96/EG über Elektro- und Elektronik-Altgeräte und ihrer Umsetzung in nationales Recht müssen nicht mehr gebrauchsfähige Elektrowerkzeuge getrennt gesammelt und einer umweltgerechten Wiederverwertung zugeführt werden.

## SPEZIFIKATIONEN

### ALLGEMEINE SPEZIFIKATIONEN

Spannung ..... 7,2V  
Stromstärke ..... 0,7 Ah  
Leerlaufdrehzahl. .... n<sub>0</sub> 10000/20000 min<sup>-1</sup>  
Spannzangen für ..... 0,8 mm, 1,6 mm, 2,4 mm, 3,2 mm

## VERLÄNGERUNGSKABEL

Verwenden Sie nur vollständig abgewickelte und unbeschädigte Verlängerungskabel mit einer Kapazität von mindestens 5 A.

## MONTAGE

SCHALTEN SIE DAS WERKZEUG IMMER AUS, BEVOR SIE DIE ZUBEHÖRTEILE ODER SPANNZANGEN WECHSELN ODER SERVICEARBEITEN AM WERKZEUG DURCHFÜHREN.

## ALLGEMEIN

Dremel Multitool ist ein hochpräzises Werkzeug für besonders feine und detaillierte Arbeiten. Das breite Spektrum der Dremel Zubehörteile und Vorsatzgeräte bietet Ihnen eine große Vielzahl von Anwendungen. Hierzu gehört beispielsweise Schleifen, Fräsen, Gravieren, Schneiden/Trennen, Reinigen und Polieren. ABBILDUNG 1

### ABBILDUNG 2

- A. Spannmutter
- B. Spannzange
- C. Gehäusekappe
- D. Spindelarretierung
- E. Griffbereich
- F. Lüftungsschlitze
- G. Ein-/Aus-Schalter und Drehzahlregler
- H. Entriegelungslasche
- I. Akku
- J. Ladegerät

## WERKZEUG LADEN

Das Akkugerät ist nicht vollständig geladen. Das Werkzeug verfügt über einen herausnehmbaren Akku. Der Akku muss vor der ersten Verwendung aufgeladen werden.

So wird das Werkzeug geladen:

1. Stellen Sie den Schalter in die "AUS"-Position.
2. Drücken Sie die Entriegelungslaschen auf beiden Seiten des Akkus und entfernen Sie den Akku aus der Rückseite des Werkzeugs.
3. Richten Sie Akku und Ladegerät korrekt zueinander aus (Pfeile auf dem Akku zeigen auf die Pfeile auf dem Ladegerät), drücken Sie die Entriegelungslaschen, setzen Sie den Akku ins Ladegerät ein und lassen Sie die Entriegelungslaschen los, damit der Akku einrastet.
4. Schliessen Sie das Ladegerät an die Stromquelle an. Die grüne LED-Leuchte zeigt an, dass eine Verbindung zustande gekommen ist und der Akku geladen wird. Bei normaler Verwendung benötigt das Werkzeug 3 Stunden zur Erreichung der maximalen Ladekapazität. Wenn der Ladevorgang abgeschlossen ist, schaltet sich die LED am Ladegerät aus.
5. Wenn der Ladevorgang abgeschlossen ist, drücken Sie die Entriegelungslaschen und entfernen Sie den Akku aus dem Ladegerät.

- Richten Sie den Akku und das Gehäuse des Werkzeugs korrekt zueinander aus. Drücken Sie die Entriegelungslaschen, setzen Sie den Akku in die Rückseite des Werkzeugs ein und lassen Sie die Laschen los, damit der Akku einrastet.

### WICHTIGE LADEHINWEISE

- Bei den ersten Ladevorgängen wird der Akku nur bis zu ca. 80% seiner maximalen Kapazität aufgeladen. Nach den ersten Ladevorgängen wird der Akku bis zur maximalen Ladekapazität aufgeladen.
- Das Ladegerät ist als Schnellladegerät konzipiert. Dies funktioniert nur bei einer Akkutemperatur zwischen 4 °C und 41 °C.
- Ein wesentlicher Abfall der Betriebszeit pro Ladung kann bedeuten, dass die Lebensdauer des Akkus zu Ende geht und er ersetzt werden muss.

*HINWEIS: Die Verwendung von Ladegeräten oder Akkus, die nicht von Dremel vertrieben wurden, wird den Verlust Ihrer Garantieansprüche nach sich ziehen.*

### SPANNZANGEN

Dremel Multitool Zubehöerteile haben unterschiedliche Schaftdurchmesser. Für diese unterschiedlichen Durchmesser stehen vier Spannzangen zur Verfügung. Die Größe der Spannzange ist jeweils an den Ringen auf der Rückseite der Spannzange erkennbar.

#### ABBILDUNG 3

- L. 3,2 mm Spannzange ohne Ring
- M. 2,4 mm Spannzange mit drei Ringen
- N. 1,6 mm Spannzange mit zwei Ringen
- O. 0,8 mm Spannzange mit einem Ring

Verwenden Sie stets die für den Schaftdurchmesser des Zubehöerteils passende Spannzange. Drücken Sie einen Schaft mit einem größeren Durchmesser niemals gewaltsam in eine kleinere Spannzange.

### WECHSELN VON SPANNZANGEN

#### ABBILDUNG 4

- P. Spindelarrretierung
- Q. Spannzangenschlüssel
- R. Anziehen
- S. Lösen
- T. Spannmutter

- Drücken Sie den Spindelarrretierungsknopf, halten Sie ihn gedrückt und drehen Sie den Schaft von Hand, bis er blockiert. *Betätigen Sie die Spindelarrretierung nie bei laufendem Werkzeug.*
- Lösen Sie bei gedrücktem Spindelarrretierungsknopf die Spannmutter und nehmen Sie sie ab. Verwenden Sie ggf. den Spannzangenschlüssel.
- Ziehen Sie die Spannzange von der Spindel ab.
- Setzen Sie die Spannzange der gewünschten Größe vollständig in die Spindel ein und ziehen Sie die Spannmutter leicht an. Ziehen Sie die Mutter nie vollständig fest, wenn kein Zubehöerteil eingesetzt ist.

### WECHSELN VON ZUBEHÖRTEILEN

#### ABBILDUNG 4

##### P. Spindelarrretierungsknopf

- Drücken Sie den Spindelarrretierungsknopf und drehen Sie den Schaft von Hand, bis er blockiert. *Betätigen Sie die Spindelarrretierung nie bei laufendem Werkzeug.*
- Lösen Sie bei gedrücktem Spindelarrretierungsknopf die Spannmutter ohne sie abzunehmen. Verwenden Sie ggf. den Spannzangenschlüssel.
- Schieben Sie den Schaft des Zubehöerteils vollständig in die Spannzange.
- Ziehen Sie die Spannmutter bei betätigter Spindelarrretierung mit der Hand an, bis die Spannzange den Schaft des Zubehöerteils greift. Verwenden Sie den Spannmutter-Schlüssel zur Sicherung des Bits oder des Zubehörs in der Spannzange.

*HINWEIS: Beachten Sie unbedingt auch die Bedienungs- und Sicherheitshinweise des jeweiligen Zubehöerteils!*

Verwenden Sie nur Dremel-geprüfte Hochleistungs-Zubehörkomponenten.

## ERSTE SCHRITTE

### VERWENDUNG

Als ersten Schritt für die Verwendung des Multitool sollten Sie ein Gefühl für das Werkzeug bekommen. Nehmen Sie das Werkzeug in die Hand und machen Sie sich mit seinem Gewicht und Schwerpunkt vertraut. Beachten Sie die Verjüngung des Gehäuses, durch die sich das Werkzeug wie ein Füllfederhalter oder Bleistift halten lässt. Der einzigartige Griffbereich an der Spitze sorgt für zusätzlichen Bedienkomfort und bessere Kontrolle bei der Arbeit.

*Halten Sie das Werkzeug stets von Ihrem Gesicht abgewandt und tragen Sie immer eine Schutzbrille. Teile von beschädigtem Zubehör könnten sich beim Erreichen hoher Drehzahlen unter Umständen lösen.*

*Halten Sie das Werkzeug so, dass Sie die Lüftungsschlitze nicht mit der Hand abdecken. Durch Blockieren der Lüftungsschlitze könnte der Motor überhitzen.*

**WICHTIG!** Üben Sie zunächst mit etwas Abfallmaterial, um ein Gefühl dafür zu bekommen, wie sich das Werkzeug bei hoher Drehzahl verhält. Denken Sie daran, dass Ihr Multitool die besten Ergebnisse liefert, wenn Sie die richtige Drehzahl sowie geeignete Zubehöerteile und Vorsatzgeräte verwenden. Arbeiten Sie ohne Druck. Durch die hohe Rotationsgeschwindigkeit ist es ausreichend, das Multitool nur leicht über die Oberfläche des Werkstücks zu führen.

Normalerweise erzielen Sie bessere Ergebnisse, wenn Sie mit dem Werkzeug mehrmals über die Oberfläche fahren, als mit einem einzigen Arbeitsgang. Außerdem haben Sie bei drucklosem Arbeiten eine bessere Kontrolle und verringern das Fehlerrisiko. Detailarbeiten können Sie am besten verrichten, wenn Sie das Multitool wie einen Stift zwischen Daumen und Zeigefinger halten.

#### ABBILDUNG 6



Die "Golfgriff"-Methode wird für schwerere Arbeiten wie Schleifen oder Schneiden/Trennen angewendet. ABBILDUNG 7

## BETRIEBSGESCHWINDIGKEIT

Dieses Multitool arbeitet mit hohen Drehzahlen. Die Drehzahl kann auf 10000 oder 20000  $\text{min}^{-1}$  eingestellt werden. Eine richtige Einstellung der Drehzahl führt zu einem besseren Endergebnis. Stellen Sie für beste Ergebnisse bei der Arbeit mit unterschiedlichen Materialien den Drehzahlregler passend zur Aufgabe ein. Üben Sie zunächst mit Abfallmaterial, um die richtige Drehzahl für das verwendete Zubehör zu ermitteln. Die Schalterstellungen für das 7,2V Ni-Cd Multitool sind auf dem Drehzahlregler angegeben.

Die meisten Aufgaben können mit der höchsten Drehzeleinstellung des Werkzeugs erledigt werden. Einige Materialien (bestimmte Kunststoffe und Metalle) können jedoch durch die bei hoher Drehzahl erzeugte Hitze beschädigt werden und sollten daher mit niedrigerer Drehzahl bearbeitet werden. Niedrige Drehzahlen (15000  $\text{min}^{-1}$  oder weniger) eignen sich normalerweise am Besten zum Polieren mit Filz-Polierzubehör. Bei allen Anwendungen mit Bürsten sind niedrigere Drehzahlen erforderlich, um ein Lösen der Drähte und Borsten aus der Halterung zu vermeiden. Auch bei niedrigen Drehzahlen sollten Sie ohne Druck arbeiten. Höhere Drehzahlen eignen sich für Hartholz, Metall und Glas sowie zum Bohren, Schneiden, Schneiden, Fräsen, Formen, Kehlen und Nuten in Holz.

Einige die Drehzahl betreffende Hinweise:

- Kunststoffe und andere Werkstoffe mit niedrigem Schmelzpunkt sind mit niedrigen Drehzahlen zu bearbeiten.
- Das Polieren, Glanzschleifen und Reinigen mit einer Drahtbürste muss bei Drehzahlen von maximal 15000  $\text{min}^{-1}$  erfolgen, um einer Beschädigung der Bürste und des Materials vorzubeugen.
- Schneidarbeiten in Holz müssen mit hoher Drehzahl erfolgen.
- Schneidarbeiten in Eisen oder Stahl müssen mit hoher Drehzahl erfolgen.
- Wenn ein Hochgeschwindigkeits-Stahlfräser zu vibrieren beginnt, so ist das meist ein Hinweis darauf, dass er zu langsam läuft.
- Aluminium, Kupfer-, Blei-, Zinklegierungen und Zinn können je nach Art der Arbeit mit unterschiedlichen Drehzahlen bearbeitet werden. Fetten Sie das Schneidwerkzeug mit Paraffin oder einem anderen geeigneten Schmiermittel (nicht Wasser) ein, um zu verhindern, dass sich Späne an den Schneidkanten des Werkzeugs festsetzen.

*HINWEIS: Ein höherer Druck auf das Werkzeug wird das Ergebnis nicht verbessern. Verwenden Sie ein anderes Zubehörteil oder eine andere Drehzeleinstellung, um das gewünschte Ergebnis zu erzielen.*

## WARTUNG

Um Beschädigungen und/oder Risiken vorzubeugen, sollten Wartungs- und Reparaturarbeiten ausschließlich durch autorisierte Personen erfolgen. Wir empfehlen, Wartung und Reparatur von Dremel-Servicenederlassungen durchführen zu

lassen. Um durch unbeabsichtigtes Einschalten Verletzungen oder Stromschläge zu vermeiden, ist das Elektrowerkzeug vor Wartungs- und Reinigungsarbeiten immer auszuschalten.

## REINIGEN DES WERKZEUGS

DAS WERKZEUG VOR DEM REINIGEN AUSSCHALTEN

Lüftungsschlitze und Schalter müssen stets sauber gehalten werden. Führen Sie jedoch keine Gegenstände in Öffnungen ein. Dies kann Beschädigungen des Werkzeugs verursachen. Das Werkzeug kann mit Druckluft gereinigt werden. Tragen Sie beim Reinigen von Werkzeugen mit Druckluft stets eine Schutzbrille.

Das Dremel Multitool braucht nicht geschmiert zu werden. Verwenden Sie keine Reiniger, die beispielsweise Benzin, Kohlenstoff-Tetrachlorid, Chlor oder Ammoniak enthalten. Dies kann zu Beschädigungen an Kunststoffteilen führen. Reinigen Sie die „Griff“-Flächen des Werkzeugs mit einem feuchten Tuch. Nachhaltig verschmutzte Bereiche müssen eventuell mehrmals abgewischt werden.

## SERVICE UND GEWÄHRLEISTUNG

Die Garantie für dieses DREMEL Produkt entspricht den länder-spezifischen Vorschriften. Schäden durch normale Abnutzung und Verschleiß sowie Überlastung oder unsachgemäße Behandlung sind von der Garantie ausgeschlossen.

Im Fall einer Reklamation schicken Sie das Werkzeug *komplett* mit einem entsprechenden Kaufnachweis an Ihren Händler.

## DREMEL KONTAKTINFORMATIONEN

Weitere Informationen über Dremel finden Sie unter [www.dremel.com](http://www.dremel.com)

Dremel Europe, P.O. Box 3267, NL-4800 DG Breda, Die Niederlande

## TRADUCTION DE LA NOTICE ORIGINALE

F

## SYMBOLES UTILISÉS



LISEZ CES INSTRUCTIONS



UTILISEZ UN DISPOSITIF DE PROTECTION ANTI-BRUIT



UTILISEZ UN DISPOSITIF DE PROTECTION OCULAIRE



UTILISEZ UN MASQUE ANTIPOUSSIÈRES

# AVERTISSEMENTS DE SÉCURITÉ GÉNÉRAUX CONCERNANT LES OUTILS ÉLECTROPORTATIFS



## **ATTENTION** LIRE L'ENSEMBLE DES CONSIGNES ET

### AVERTISSEMENTS DE SÉCURITÉ.

*Le non-respect de ces avertissements et de ces consignes peut entraîner un choc électrique, un incendie et/ou des blessures corporelles graves.*

**Conservez l'ensemble de ces avertissements et de ces instructions à des fins de référence future.**

*Le terme "outil électroportatif" mentionné dans tous les avertissements fait référence à un outil électroportatif branché sur le secteur (avec cordon électrique) ou sur batterie (sans fil).*

## SÉCURITÉ DE LA ZONE DE TRAVAIL

- Faites en sorte que la zone de travail soit propre et bien éclairée. Un espace encombré et sombre est propice aux accidents.
- Ne faites pas fonctionner des outils électroportatifs dans les atmosphères explosives, notamment en présence de liquides, gaz ou poussières inflammables. Les outils électroportatifs produisent des étincelles susceptibles d'enflammer les poussières ou fumées.
- Tenez les enfants et spectateurs à distance pendant le fonctionnement d'un outil électroportatif. Toute distraction peut entraîner une perte de contrôle de l'outil.

## SECURITE ELECTRIQUE

- La fiche de l'outil électroportatif doit être appropriée à la prise de courant. Ne modifiez en aucune circonstance la fiche. N'employez pas d'adaptateur avec les outils électroportatifs mis à la terre. L'utilisation de fiches non modifiées et de prises appropriées réduira le risque de choc électrique.
- Évitez tout contact corporel avec des éléments reliés à la terre, tels que tuyauterie, radiateurs, cuisinières, réfrigérateurs. La mise à la terre du corps accroît le risque de choc électrique.
- Conservez les outils électroportatifs à l'abri de la pluie et de l'humidité. La pénétration d'eau dans un outil électroportatif accroît le risque de choc électrique.
- N'exercez aucune action dommageable sur le cordon d'alimentation. Ne jamais utiliser le cordon d'alimentation pour transporter ou débrancher l'outil électroportatif. Éloignez le cordon d'alimentation de la chaleur, des huiles, des arêtes vives ou des pièces en mouvement. Les cordons endommagés ou emmêlés accroissent le risque de choc électrique.
- Lorsque vous utilisez un outil électroportatif à l'extérieur, utilisez un câble d'extension adapté à cet usage. L'utilisation d'un cordon conçu pour l'extérieur réduit le risque de choc électrique.

- Si l'usage d'un outil dans un emplacement humide est inévitable, utilisez un disjoncteur de fuite à la terre.

*L'utilisation d'un disjoncteur de fuite à la terre réduit le risque de choc électrique.*

## SECURITE PERSONNELLE

- Restez vigilant et attentif à ce que vous faites et faites preuve de bon sens lorsque vous utilisez un outil électroportatif. Ne vous servez pas de ce type d'outil lorsque vous êtes fatigué ou sous l'emprise d'une drogue quelconque, de l'alcool ou d'un médicament. Un instant d'inattention risque, dans ce cas, d'entraîner des blessures corporelles graves.
- Utilisez des équipements de protection. Portez toujours un équipement de protection oculaire. Les équipements de protection personnels tels que masque anti-poussière, chaussures de sécurité antidérapantes, casque ou protection auditive employés dans les cas appropriés réduiront les blessures corporelles.
- Évitez tout démarrage accidentel. Assurez-vous que l'interrupteur est en position Arrêt avant de brancher la fiche. Le fait de transporter les outils électroportatifs en ayant le doigt sur l'interrupteur ou de brancher des outils avec l'interrupteur sur la position Marche constitue une situation propice aux accidents.
- Retirez toute clé de réglage avant de mettre l'outil sous tension. Une clé laissée au contact d'un élément en rotation de l'outil électroportatif peut entraîner des blessures corporelles.
- Ne travaillez pas dans une position instable. Conservez à tout moment un bon appui et un bon équilibre du corps. Vous serez ainsi plus en mesure de garder le contrôle de l'outil électroportatif dans les situations imprévues.
- Ayez une tenue appropriée. Ne portez pas de vêtements amples ni de bijoux. N'approchez jamais les cheveux, vêtements ou gants, de pièces en mouvement. Des vêtements amples, bijoux ou cheveux longs peuvent être happés par des pièces en mouvement.
- En présence de dispositifs pour l'aspiration et la collecte des poussières, vérifiez que ceux-ci sont branchés et correctement employés. L'utilisation de ces appareils peut réduire les risques liés à la poussière.

## PRECAUTIONS D'UTILISATION DE L'OUTIL ELECTROPORTATIF

- Ne forcez pas sur l'outil électroportatif. Employez l'outil correspondant à votre application. L'outil électroportatif approprié accomplira sa tâche plus efficacement et plus sûrement s'il est utilisé à la vitesse pour laquelle il a été conçu.
- N'utilisez pas l'outil électroportatif si l'interrupteur ne fonctionne pas correctement. Un outil dont l'interrupteur est défectueux est dangereux et doit être réparé.
- Débranchez l'outil de la prise électrique murale et/ou le bloc de batteries avant d'effectuer un réglage, de changer d'accessoire ou de ranger l'outil. Ces précautions réduisent le risque d'un démarrage accidentel de l'outil.

## INSTRUCTIONS DE SECURITE POUR TOUS LES UTILISATIONS

### AVERTISSEMENTS DE SECURITE COMMUNS POUR LE MEULAGE, LE PONÇAGE, LE BROSSAGE METALLIQUE, LE POLISSAGE ET LA DECOUPE A L'ABRASIF

- d. Les outils électroportatifs doivent être rangés hors de portée des enfants et ne pas être utilisés par des personnes ne connaissant pas leur fonctionnement ou les présentes instructions. *Entre les mains d'utilisateurs inexpérimentés, les outils électroportatifs sont dangereux.*
- e. Entretenez les outils électroportatifs. Vérifiez la présence d'un défaut d'alignement ou grippage des pièces mobiles, de pièces cassées ou de toute autre condition pouvant altérer le fonctionnement des outils électroportatifs. Faites réparer un outil électroportatif endommagé avant de l'utiliser. *Nombre d'accidents sont provoqués par des outils électroportatifs mal entretenus.*
- f. Les outils de coupe doivent être affûtés et propres. *S'ils sont bien entretenus, les outils avec des arêtes de coupe affûtées sont moins susceptibles d'accrocher et sont plus faciles à contrôler.*
- g. Utilisez l'outil électroportatif, ses accessoires et embouts, etc. conformément aux présentes instructions, en particulier en tenant compte des conditions de travail et de la nature du travail à réaliser. *L'utilisation de l'outil électroportatif pour d'autres applications que celles prévues présente un risque.*

### UTILISATION ET ENTRETIEN DE L'OUTIL SANS FIL

- a. Rechargez l'outil exclusivement avec le chargeur spécifié par le fabricant. *L'utilisation d'un chargeur spécifique à un type de pack batterie avec un pack différent risque de provoquer un incendie.*
- b. Utilisez les outils électroportatifs uniquement avec les packs de batterie spécialement conçus. *L'utilisation de packs de batterie différents risque de provoquer des blessures ou un incendie.*
- c. Lorsque le pack de batterie n'est pas utilisé, tenez-le à l'écart d'autres objets métalliques, comme des trombones, des pièces de monnaie, des clés, des clous, des vis ou tout autre objet métallique de petite taille susceptible de faire office de conducteur entre les bornes. *Relier les bornes de la batterie risque de provoquer des brûlures ou un incendie.*
- d. Une utilisation inappropriée peut entraîner la projection de liquide par la batterie. Évitez tout contact. En cas de contact accidentel, rincez à l'eau. Si le liquide entre en contact avec les yeux, recherchez une aide médicale. *La projection de liquide par la batterie peut provoquer des irritations ou des brûlures.*

### REPARATION

- a. Confiez la réparation de votre outil électroportatif à un réparateur qualifié qui utilise exclusivement des pièces de rechange identiques. *Vous garantirez ainsi la fiabilité de l'outil électroportatif.*

- a. Cet outil électroportatif est à utiliser en tant que meuleuse, perceuse au papier de verre, brosse métallique, polisseuse et en tant qu'outil de tronçonnage. Respecter tous les avertissements, instructions, représentations et données qui sont fournies avec l'outil électroportatif. *Un non-respect des instructions suivantes peut entraîner un choc électrique et / ou de graves blessures.*
- b. Ne pas utiliser des accessoires qui ne sont pas spécialement prévus et recommandés par le fabricant pour cet outil électroportatif. *Le fait de pouvoir monter les accessoires sur votre outil électroportatif ne garantit pas une utilisation en toute sécurité.*
- c. La vitesse de rotation admissible de l'accessoire doit être au moins égale à la vitesse de rotation maximale de l'outil électroportatif. *Les accessoires qui tournent à une vitesse de rotation supérieure à celle qui est admise risquent d'être détruits.*
- d. Le diamètre extérieur et la largeur de l'accessoire doivent correspondre aux cotes de votre outil électroportatif. *Les accessoires de mauvaises dimensions ne peuvent pas être protégés ni contrôlés de façon suffisante.*
- e. Les meules, les brides, les plateaux de ponçage ou les autres accessoires doivent correspondre exactement à la broche de votre outil électroportatif. *Les accessoires qui ne correspondent pas exactement à la broche de l'outil électroportatif tournent de façon irrégulière, ont de fortes vibrations et peuvent entraîner une perte de contrôle.*
- f. Ne pas utiliser des accessoires endommagés. Avant chaque utilisation, contrôler les accessoires tels que les meules pour détecter des éclats et des fissures, les plateaux de ponçage pour détecter des fissures, une certaine usure ou des signes de forte usure, les brosses métalliques pour détecter des fils détachés ou cassés. Au cas où l'outil électroportatif ou l'accessoire tomberait, contrôler s'il est endommagé ou utiliser un accessoire intact. Après avoir contrôlé et monté l'accessoire, se tenir à distance du niveau de l'accessoire en rotation ainsi que les personnes se trouvant à proximité et laisser tourner l'outil électroportatif à la vitesse maximale pendant une minute. *Dans la plupart des cas, les accessoires endommagés cassent pendant ce temps d'essai.*
- g. Porter des équipements de protection personnels. Selon l'utilisation, porter une protection complète pour le visage, une protection oculaire ou des lunettes de protection. Si nécessaire, porter un masque anti-poussière, une protection acoustique, des gants de protection ou un tablier spécial qui vous protège de petites particules de matériau causées par le meulage. *Protéger vos yeux de corps étrangers projetés dans l'air lors*

des différentes utilisations. Les masques anti-poussière ou les masques respiratoires doivent filtrer la poussière générée lors de l'utilisation. Une exposition trop longue au bruit fort peut entraîner une perte d'audition.

- h. **Garder une distance de sécurité suffisante entre votre zone de travail et les personnes se trouvant à proximité. Toute personne entrant dans la zone de travail doit porter un équipement de protection individuel. Des fragments de pièces ou d'accessoires cassés peuvent être projetés et causer des blessures même en dehors de la zone directe de travail.**
- i. **Ne tenir l'outil électroportatif qu'aux poignées isolées, si, pendant les travaux, l'accessoire risque de toucher des câbles électriques cachés ou son propre câble d'alimentation. Le contact avec des conduites sous tension a pour conséquence une mise sous tension des parties métalliques de l'outil et provoque une décharge électrique.**
- j. **Garder le câble de secteur à distance des accessoires en rotation. Si vous perdez le contrôle de l'outil, le câble de secteur peut être sectionné ou happé et votre main ou votre bras risquent d'être happés par l'accessoire en rotation.**
- k. **Déposer l'outil électroportatif seulement après l'arrêt total de l'accessoire. L'accessoire en rotation peut toucher la surface sur laquelle l'outil est posé, ce qui risque de vous faire perdre le contrôle de l'outil électroportatif.**
- l. **Ne pas laisser tourner l'outil électroportatif pendant que vous le portez. Suite à un contact involontaire, vos vêtements peuvent être happés par l'accessoire en rotation, et l'accessoire peut rentrer dans votre corps.**
- m. **Nettoyer régulièrement les ouïes de ventilation de votre outil électroportatif. La ventilation du moteur aspire de la poussière dans le carter, et de la poussière de métal en trop grande quantité peut causer des dommages électriques.**
- n. **Ne pas utiliser l'outil électroportatif lorsqu'il y a des matériaux inflammables à proximité. Les étincelles risquent d'enflammer ces matériaux.**
- o. **Ne pas utiliser des accessoires qui nécessitent des liquides de refroidissement. L'utilisation d'eau ou d'autres liquides de refroidissement peut entraîner un choc électrique.**

## CONTRECROUP ET AVERTISSEMENTS ASSOCIES

Un contrecoup est une réaction soudaine provoquée par une meule, un plateau de ponçage, une brosse ou tout autre accessoire en rotation qui se bloque ou se coince. Un blocage entraîne l'arrêt rapide de l'accessoire en rotation et la projection de l'outil électroportatif dans la direction opposée à la rotation de l'accessoire au point de blocage. Par exemple, si une meule se coince ou se bloque dans la pièce à travailler, le bord de la meule pénétrant au point de blocage peut entamer la surface du matériau et la meule peut ressortir ou être éjectée. En fonction du sens de rotation de la meule au point de blocage, celle-ci peut être projetée vers l'utilisateur ou à l'opposé de celui-ci. Dans ces conditions, les meules peuvent également casser. Le contrecoup résulte d'une utilisation incorrecte de l'outil électroportatif et/ou de mauvaises conditions ou procédures d'utilisation. Ce phénomène peut être évité en prenant les précautions suivantes.

- a. **Maintenez fermement l'outil et campez votre corps et vos bras de manière à résister aux forces de contrecoup. Utilisez systématiquement la poignée supplémentaire, s'il y en a une, pour contrôler au maximum les forces de contrecoup ou le couple de réaction au démarrage. Les forces de contrecoup ou le couple de réaction peuvent être amortis par l'utilisateur si les précautions correctes sont observées.**
- b. **Ne placez jamais votre main à proximité de l'accessoire en rotation. Lors d'un contrecoup, l'accessoire risque de rebondir sur celle-ci.**
- c. **Ne restez pas dans la zone de contrecoup possible de l'outil électroportatif. Le contrecoup entraînera l'outil dans la direction opposée au mouvement de la meule au point de blocage.**
- d. **Soyez extrêmement vigilant lors du travail des coins, arêtes coupantes, etc. Évitez que l'accessoire rebondisse contre la pièce à travailler et qu'il se coince. L'accessoire en rotation a tendance à accrocher au niveau des coins, des arêtes coupantes ou lorsqu'il rebondit, avec une possibilité de perte de contrôle ou de contrecoup.**
- e. **N'utilisez pas de lames de scie à chaîne ou dentées. Ce type de lame provoque fréquemment des contrecoups et une perte de contrôle.**

---

## CONSIGNES DE SECURITE SPECIFIQUES AU PONÇAGE ET A LA DECOUPE A L'ABRASIF

---

- a. **N'utilisez que des meules recommandées pour votre outil électroportatif et le capot de protection conçu pour la meule sélectionnée. Les meules non conçues pour l'outil électroportatif ne peuvent pas être suffisamment protégées et présentent alors un danger.**
- b. **Employez les meules exclusivement pour les applications recommandées. Par exemple: ne meulez pas avec la surface latérale d'un disque à tronçonner. Les meules à tronçonner sont conçues pour enlever de la matière avec le bord et les forces latérales appliquées à ces meules peuvent provoquer leur destruction.**
- c. **Utilisez systématiquement des brides de serrage en parfait état, dont la taille et la forme sont appropriées à la meule sélectionnée. Les brides appropriées servent de support à la meule et réduisent ainsi le risque de rupture de celle-ci. Les brides pour les disques à tronçonner peuvent différer de celles pour d'autres meules.**
- d. **N'utilisez pas de meules usées d'outils électroportatifs de plus grande taille. Les meules prévues pour un outil électroportatif plus grand ne sont pas conçues pour les vitesses de rotation accrues des outils électroportatifs plus petits et risquent de casser.**

---

## CONSIGNES DE SECURITE SUPPLEMENTAIRES POUR LA DECOUPE A L'ABRASIF

---

- a. **Évitez de coincer le disque à tronçonner ou d'appliquer une pression excessive. N'essayez pas de réaliser des coupes trop profondes. Une surcharge du disque en augmente la sollicitation et donc les risques de torsion ou de blocage, ce qui entraînerait un contrecoup ou la destruction de la meule.**

- b. Ne vous placez pas dans l'axe de la meule en rotation ni derrière celle-ci. Si la meule au contact de la zone travaillée s'éloigne de vous, un contrecoup risque de ramener le disque et l'outil électroportatif directement sur vous.
- c. Lorsque le disque se bloque ou que vous interrompez une passe pour une raison ou une autre, éteignez puis immobilisez l'outil jusqu'à ce que le disque s'arrête complètement. N'essayez en aucun cas de sortir le disque à trancher en rotation du matériau, sinon il existe un risque de contrecoup. Recherchez la cause du blocage et prenez les mesures nécessaires pour y remédier.
- d. Ne redémarrez pas l'opération de découpe dans la pièce à travailler. Attendez que la meule ait atteint sa vitesse de rotation maximale et introduisez-la précautionneusement dans le matériau. En cas de redémarrage de l'outil électroportatif dans la pièce à travailler, le disque risque de se coincer, de ressortir ou de provoquer un contrecoup.
- e. Utilisez des supports pour les panneaux ou toute pièce de grandes dimensions, afin de réduire le risque de blocage de la meule et de contrecoup. Les pièces de grandes dimensions ont tendance à s'arquer sous leur propre poids. Les supports doivent être placés sous la pièce à travailler, près de la ligne de coupe et près du bord de la pièce, des deux côtés de la meule.
- f. Redoublez de prudence lorsque vous effectuez une "coupe traversante" dans des murs existants ou autres parois aveugles. Le disque à trancher peut sectionner des canalisations de gaz ou d'eau, des câbles électriques ou des objets pouvant causer un contrecoup.

### CONSIGNES DE SECURITE SPECIFIQUES POUR LE PONÇAGE

- a. N'utilisez pas de disques de papier abrasif de trop grande taille. Respectez les indications du fabricant concernant la feuille abrasive. Les feuilles abrasives trop grandes par rapport au plateau de ponçage présentent un risque de lacération et peuvent provoquer le blocage ou la déchirure du disque abrasif, ou un contrecoup.

### CONSIGNES DE SECURITE SPECIFIQUES POUR LE POLISSAGE

- a. Evitez qu'une partie mal fixée du disque de polissage ou que des cordes de fixation ne tournent librement. Rangez ou raccourcissez les cordes de fixation. Des cordes de fixation lâches ou en rotation peuvent happer vos doigts ou se coincer sur la pièce à travailler.

### CONSIGNES DE SECURITE SPECIFIQUES POUR LE BROSSAGE METALLIQUE

- a. Ayez à l'esprit que la brosse perd des fils métalliques même pendant le travail normal. Evitez une sollicitation trop élevée des fils métalliques en appliquant une pression excessive sur la brosse. Les fils métalliques arrachés peuvent pénétrer facilement dans des vêtements légers et/ou la peau.

- b. Si un capot de protection est recommandé pour le brossage métallique, évitez tout contact entre ce capot et la brosse métallique. Les brosses métalliques circulaires ou autres peuvent augmenter de diamètre en raison de la pression et des forces centrifuges.
- c. Ne dépassez pas 15000 min<sup>-1</sup> lors de l'utilisation de brosses métalliques.

**ATTENTION** Ne pas travailler de matériaux contenant de l'amiante (l'amiante est considérée comme étant cancérigène).

**ATTENTION** Prenez des mesures de sécurité lorsque des poussières nuisibles à la santé, inflammables ou explosives peuvent être générées lors du travail (certaines poussières sont considérées comme étant cancérigènes); portez un masque anti-poussières et utilisez un dispositif d'aspiration de poussières/de copeaux s'il est possible de raccorder un tel dispositif.

## ENVIRONNEMENT

### MISE AU REBUT

Les outils électroportatifs, ainsi que leurs accessoires et emballages doivent être triés en vue de leur recyclage approprié.

### UNIQUEMENT POUR LES PAYS EUROPÉENS



Ne jetez pas votre appareil électroportatif avec les ordures ménagères! Conformément à la directive européenne 2002/96/CE relative à la mise au rebut des équipements électriques et électroniques, et à sa transposition dans le droit national, les outils électroportatifs inutilisables doivent faire l'objet d'une collecte distincte et être mis au rebut d'une manière respectueuse pour l'environnement.

## SPECIFICATIONS

### SPECIFICATIONS GENERALES

Tension nominale ..... 7,2 V  
 Intensité nominale ..... 0,7 Ah  
 Vitesse à vide .....  $n_1$  10000/20000 min<sup>-1</sup>  
 Pince ..... 0,8 mm, 1,6 mm, 2,4 mm, 3,2 mm

### RALLONGES

Utilisez des rallonges entièrement déroulées et fiables d'une intensité de 5 A.

## MONTAGE

ETEIGNEZ SYSTEMATIQUEMENT L'OUTIL AVANT DE CHANGER D'ACCESSOIRE OU DE PINCE OU POUR REPARER L'OUTIL.

---

## GENERALITES

---

L'outil multifonctions Dremel est un outil de précision de très grande qualité, capable d'accomplir des tâches minutieuses et complexes.

Ces opérations incluent notamment le ponçage, la sculpture et la gravure ainsi que la découpe, le nettoyage et le polissage.

ILLUSTRATION 1

ILLUSTRATION 2

- A. Ecroû de blocage
- B. Pince
- C. Capuchon
- D. Bouton de verrouillage de l'arbre
- E. Grip
- F. Orifices de ventilation
- G. Interrupteur Marche/Arrêt et variateur de vitesse
- h. Bouton de déverrouillage
- I. Batterie
- J. Chargeur

---

## MISE EN CHARGE DE L'OUTIL

---

L'outil rotatif sans fil n'est pas complètement chargé. L'outil est équipé d'une batterie amovible. Assurez-vous de charger la batterie avant la première utilisation de l'outil.

Pour charger l'outil :

1. Mettez l'interrupteur en position "OFF" (Arrêt).
2. Appuyez sur les deux languettes de dégagement de chaque côté de la batterie et retirez la batterie à l'arrière de l'outil.
3. Alignez la forme extérieure de la batterie sur la forme extérieure du chargeur (flèches de la batterie dans la direction de celles du chargeur), appuyez sur les languettes de dégagement, insérez la batterie dans le chargeur et relâchez la pression sur les languettes pour la mettre en place.
4. Branchez le chargeur dans la source d'alimentation.  
Le voyant vert s'allume pour indiquer que la connexion est établie et que la batterie est en charge. En conditions normales, l'outil a besoin de 3 heures pour se charger à pleine capacité. A la fin de la charge, le voyant du chargeur s'éteint.
5. Lorsque la batterie est totalement chargée, appuyez sur les languettes de dégagement et retirez la batterie du chargeur.
6. Alignez la forme extérieure de la batterie sur la forme extérieure du boîtier du chargeur. Appuyez sur les languettes de dégagement, insérez la batterie à l'arrière de l'outil et relâchez-la pour qu'elle se mette en place.

---

## REMARQUES IMPORTANTES SUR LA CHARGE

---

1. La batterie se charge seulement à 80 % de sa capacité maximale lors des premiers cycles de charge. Après ces premiers cycles de charge, la batterie se chargera à sa capacité maximale.
2. Le chargeur a été conçu pour un chargement rapide de la batterie uniquement à des températures comprises entre 4 °C et 41 °C.
3. Une baisse notable de l'autonomie après chaque charge peut signifier que la batterie est bientôt usée et doit être remplacée.

*REMARQUE : L'emploi de chargeurs ou de batteries non vendus par Dremel risque d'annuler la garantie.*

---

## PINCES PORTE-EMBOUT

---

Les accessoires Dremel disponibles pour l'outil multifonctions sont fournis avec différentes tailles de queues. Quatre tailles de pince sont disponibles pour les différentes queues. Ces tailles sont identifiées par les bagues au dos de la pince.

ILLUSTRATION 3

- L. Pince 3,2 mm sans bague
- M. Pince 2,4 mm avec trois bagues
- N. Pince 1,6 mm avec deux bagues
- O. Pince 0,8 mm avec une bague

Utilisez systématiquement la pince correspondant au diamètre de queue de l'accessoire que vous projetez d'employer. N'engagez pas de queue de grand diamètre dans une pince de diamètre plus petit.

---

## CHANGEMENT DE PINCE

---

ILLUSTRATION 4

- P. Bouton de verrouillage de l'arbre
- Q. Clé de pince
- R. Sens de serrage
- S. Sens de desserrage
- T. Ecroû de blocage

1. Appuyez sur le bouton de blocage d'arbre, maintenez et tournez l'arbre à la main jusqu'à ce qu'il s'enclenche. *N'actionnez pas le bouton de blocage tant que l'outil multifonctions n'est pas complètement arrêté.*
2. Lorsque le bouton de blocage d'arbre est enfoncé, desserrez et déposez l'écrou de blocage. Utilisez la clé de pince si nécessaire.
3. Déposez la pince en la dégageant de l'arbre.
4. Engagez à fond la nouvelle pince appropriée dans l'arbre, puis repositionnez et resserrez à la main l'écrou de blocage. Ne serrez pas complètement l'écrou en l'absence d'embout ou d'accessoire.

---

## CHANGEMENT D'ACCESSOIRE

---

ILLUSTRATIONS 4

- P. Bouton de verrouillage de l'arbre

1. Appuyez sur le bouton de blocage d'arbre, maintenez et tournez l'arbre à la main jusqu'à ce qu'il s'enclenche. *N'actionnez pas le bouton de blocage tant que l'outil multifonctions n'est pas complètement arrêté.*
2. Lorsque le bouton de blocage d'arbre est enfoncé, desserrez l'écrou de blocage (sans le déposer). Utilisez la clé de pince si nécessaire.
3. Engagez à fond l'embout ou la queue d'accessoire dans la pince.

4. Le bouton de blocage d'arbre étant toujours enfoncé, serrez à la main l'écrou de blocage jusqu'à ce que l'embout ou la queue de l'accessoire soit bien serré dans la pince. Ayez recours à la clé de pince pour bien fixer l'embout ou l'accessoire dans la pince.

*NOTA: Lisez impérativement les instructions d'utilisation fournies avec votre accessoire Dremel.*

Utilisez uniquement des accessoires testés par Dremel.

## COMMENT DEMARRER

### UTILISATION

La première étape consiste à faire connaissance avec l'outil. Prenez-le, soupesez-le et cherchez son équilibre dans votre main. Sentez sous vos doigts la partie conique du corps. Celle-ci permet de tenir l'outil comme un crayon. La poignée exclusive sur la partie conique est synonyme de confort et de contrôle accru pendant l'utilisation.

*Ne tournez jamais l'outil vers votre visage, orientez-le vers l'extérieur. Des accessoires qui ont pu être endommagés lors de la manipulation peuvent être violemment projetés sous l'effet de la vitesse.*

*Lorsque vous tenez l'outil, évitez d'obstruer les orifices de ventilation avec vos mains. Cette obstruction peut provoquer une surchauffe du moteur.*

**IMPORTANT !** Exercez-vous d'abord sur des matériaux de récupération pour apprécier le fonctionnement de l'outil à vitesse élevée. Ayez à l'esprit que votre outil multifonctions sera le plus performant à sa vitesse de travail, avec l'accessoire et la fixation Dremel appropriés. Si possible, évitez toute pression sur l'outil pendant son utilisation. Au contraire, appliquez légèrement l'accessoire en rotation à l'endroit voulu sur la surface à travailler. Concentrez-vous sur le guidage de l'outil sur la pièce en n'appliquant qu'une très légère pression de la main. Laissez l'accessoire faire le travail.

En règle générale, plusieurs passes avec l'outil sont préférables à une seule pour accomplir le travail. Un contact léger permet un contrôle optimal et évite les risques d'erreur.

Pour maîtriser l'outil multifonctions dans les travaux de précision, tenez-le comme un crayon, entre le pouce et l'index. ILLUSTRATION 6

La méthode de maintien de type «golf» est appliquée pour les opérations plus difficiles telles que le ponçage ou la découpe. ILLUSTRATION 7

### VITESSES DE FONCTIONNEMENT

Sa vitesse est réglable sur 10000 ou 20000 min<sup>-1</sup>. Vous obtiendrez un meilleur résultat final en adaptant la vitesse à votre projet. Pour obtenir les meilleurs résultats possibles sur différents matériaux, réglez la vitesse en fonction du travail à effectuer.

Les réglages de l'outil polyvalent 7,2V Ni-Cd sont indiqués sur le variateur de vitesse.

La majorité des tâches peuvent être accomplies en utilisant l'outil à sa vitesse maximale. Néanmoins, certains matériaux (plastiques et métaux spécifiques) peuvent être endommagés par la chaleur

résultant du fonctionnement à vitesse élevée et doivent donc être travaillés à des vitesses relativement faibles. Le fonctionnement à faible vitesse (inférieure ou égale à 15000 min<sup>-1</sup>) convient en général aux travaux de polissage avec les accessoires de polissage en feutre. Toutes les applications de brossage nécessitent des vitesses réduites afin d'éviter l'arrachement de fils métalliques. A faible vitesse, laissez l'outil faire le travail pour vous. Les vitesses plus élevées conviennent mieux pour travailler les bois durs, les métaux et le verre, ainsi que pour percer, sculpter, découper, défoncer, profiler et réaliser des feuillures ou des embrèvements dans le bois.

Quelques conseils concernant la vitesse d'utilisation de l'outil:

- Le plastique et les autres matériaux qui fondent à basse température doivent être coupés à des vitesses réduites.
- Le polissage, le lustrage et le nettoyage à la brosse métallique doivent être effectués à des vitesses inférieures à 15000 min<sup>-1</sup>, afin de ne pas endommager la brosse et le matériau.
- Le bois doit être coupé à vitesse élevée.
- Le fer ou l'acier doivent être coupés à vitesse élevée.
- Si une fraise en acier haute vitesse commence à vibrer, c'est généralement que sa vitesse de rotation est trop faible.
- L'aluminium, ainsi que les alliages de cuivre, de plomb, de zinc et d'étain peuvent être coupés à diverses vitesses selon le type de découpe effectuée. Appliquez de la paraffine (pas d'eau) ou un lubrifiant approprié sur la fraise afin d'éviter l'adhérence de déchets de coupe sur les tranchants de la fraise.

*NOTA: Une pression accrue sur l'outil ne constitue pas la solution pour de meilleures performances. Essayez un autre accessoire ou une autre vitesse pour obtenir le résultat souhaité.*

## ENTRETIEN

*Toute opération d'entretien préventif effectuée par du personnel non autorisé peut entraîner le positionnement incorrect de composants internes et présenter des risques graves. Nous recommandons de confier les opérations d'entretien de l'outil à un Centre Technique Dremel. Pour éviter les blessures résultant d'un démarrage accidentel ou d'un choc électrique, éteignez systématiquement l'outil avant les opérations de réparation ou de nettoyage.*

### NETTOYAGE DE L'OUTIL

EETEINDRE L'OUTIL AVANT SON NETTOYAGE

Les orifices de ventilation et les curseurs des interrupteurs doivent être tenus propres et exempts de corps étrangers. Ne tentez pas de nettoyer l'outil en insérant des objets pointus à travers les orifices de ventilation.

*L'outil peut être nettoyé à l'air comprimé. Dans ce cas, portez systématiquement des lunettes de protection.*

L'outil multifonctions de Dremel ne requiert aucune lubrification.

Certains détergents et solvants endommageront les pièces en plastique. C'est notamment le cas de l'essence, du tétrachlorure de carbone, des solvants chlorés, de l'ammoniaque et des détergents domestiques qui contiennent de l'ammoniaque.

Nettoyez les zones de préhension de l'outil avec un chiffon humide. Il peut être nécessaire de renouveler plusieurs fois l'opération pour le nettoyage des surfaces rigides encrassées.

## REPARATION ET GARANTIE

Ce produit DREMEL fait l'objet d'une garantie conforme aux réglementations légales en vigueur dans votre pays; les dommages résultant de l'usage normale, d'une surcharge ou d'une utilisation inappropriée sont exclus de la garantie.

En cas de réclamation, envoyez l'outil *non démonté* avec le justificatif d'achat à votre revendeur.

## CONTACTER DREMEL

Pour plus d'informations sur la gamme de produits, le support technique et l'assistance téléphonique de la société Dremel, visitez le site [www.dremel.com](http://www.dremel.com)

Dremel Europe, P.O. Box 3267, 4800 DG Breda, Pays-Bas

## TRADUZIONE DELLE ISTRUZIONI ORIGINALI

### SIMBOLI USATI



LEGGERE LE PRESENTI ISTRUZIONI



USARE UNA PROTEZIONE ACUSTICA



USARE UNA PROTEZIONE PER GLI OCCHI



USARE UNA MASCHERINA ANTIPOLVERE

## AVVERTENZE DI SICUREZZA GENERALI RELATIVE AGLI UTENSILI ELETTRICI



**ATTENZIONE** LEGGERE TUTTE LE AVVERTENZE DI SICUREZZA E LE ISTRUZIONI.

La mancata osservanza delle avvertenze e delle istruzioni può dare luogo a scosse elettriche, incendi e/o gravi lesioni.

Conservare le avvertenze e le istruzioni per future consultazioni.

Il termine "utensile elettrico" nelle avvertenze si riferisce all'utensile alimentato da rete (con filo) o all'utensile elettrico a batteria (senza filo).

## SICUREZZA DELL'AREA DI LAVORO

- Tenere la zona di operazione sempre pulita ed ordinata.** *Il disordine e le zone di lavoro non illuminate possono essere fonte di incidenti.*
- Evitare d'impiegare l'elettrotensile in ambienti soggetti al rischio di esplosioni e nei quali si trovino liquidi, gas o polveri infiammabili.** *Gli elettrotensili producono scintille che possono far infiammare la polvere o i gas.*
- Tenere lontani i bambini ed altre persone durante l'impiego dell'elettrotensile.** *Eventuali distrazioni potranno comportare la perdita del controllo sull'elettrotensile.*

## SICUREZZA ELETTRICA

- La spina per la presa di corrente dovrà essere adatta alla presa. Evitare assolutamente di apportare modifiche alla spina. Non impiegare spine adattatrici assieme ad elettrotensili con collegamento a terra.** *Le spine non modificate e le prese adatte allo scopo riducono il rischio di scosse elettriche.*
- Evitare il contatto fisico con superfici collegate a terra, come tubi, riscaldamenti, cucine elettriche e frigoriferi.** *Sussiste un maggior rischio di scosse elettriche nel momento in cui il corpo è messo a massa.*
- Custodire l'elettrotensile al riparo dalla pioggia o dall'umidità.** *L'eventuale infiltrazione di acqua in un elettrotensile va ad aumentare il rischio d'insorgenza di scosse elettriche.*
- Non usare il cavo per scopi diversi da quelli previsti e quindi non usarlo per trasportare o appendere l'elettrotensile oppure per togliere la spina dalla presa di corrente. Non avvicinare il cavo a fonti di calore, olio, spigoli taglienti e neppure a parti della macchina che siano in movimento.** *I cavi danneggiati o aggrovigliati aumentano il rischio d'insorgenza di scosse elettriche.*
- Quando si utilizza un utensile all'aperto, utilizzare una prolunga adatta per esterni.** *L'uso di un cavo di prolunga omologato per l'impiego all'esterno riduce il rischio d'insorgenza di scosse elettriche.*
- Indossare vestiti adeguati. Evitare di indossare vestiti lenti o gioielli. Tenere i capelli, i vestiti ed i guanti lontani da pezzi in movimento.** *Vestiti lenti, gioielli o capelli lunghi potranno impigliarsi in pezzi in movimento.*

## SICUREZZA DI PERSONE

- È importante concentrarsi su ciò che si sta facendo e maneggiare con giudizio l'elettrotensile durante le operazioni di lavoro. Non utilizzare l'utensile in caso di stanchezza o sotto l'effetto di droghe, bevande alcoliche e medicinali.** *Un attimo di distrazione durante l'uso dell'elettrotensile potrà causare lesioni gravi.*
- Indossare sempre equipaggiamento protettivo individuale, nonché guanti protettivi.** *Indossare sempre gli occhiali di protezione. Indossando abbigliamento di protezione personale*



come la maschera per polveri, scarpe di sicurezza che non scivolino, elmetto di protezione oppure protezione acustica a seconda del tipo e dell'applicazione dell'elettrotensile, si riduce il rischio di incidenti.

- c. **Evitare l'accensione involontaria dell'utensile. Prima d'inserire la spina nella presa di corrente, assicurarsi che l'elettrotensile sia spento. Il fatto di tenere il dito sopra all'interruttore o di collegare l'elettrotensile acceso all'alimentazione di corrente potrà essere causa di incidenti.**
- d. **Togliere gli attrezzi di regolazione o la chiave inglese prima di accendere l'utensile. Un utensile oppure una chiave che si trovi in una parte rotante della macchina può provocare seri incidenti.**
- e. **Mai sopravvalutare le proprie possibilità di reazione. Avere cura di mettersi in posizione sicura e di mantenere l'equilibrio. In tale maniera sarà possibile controllare meglio l'elettrotensile in situazioni inaspettate.**
- f. **Indossare vestiti adeguati. Non indossare vestiti larghi, né portare bracciali e catenine. Tenere i capelli, i vestiti ed i guanti lontani da pezzi in movimento. Vestiti lenti, gioielli o capelli lunghi potranno impigliarsi in pezzi in movimento.**
- g. **In caso fosse previsto il montaggio di dispositivi di aspirazione della polvere e di raccolta, assicurarsi che gli stessi siano collegati e che vengano utilizzati correttamente. L'utilizzo di tali dispositivi contribuisce a ridurre lo svilupparsi di situazioni pericolose provocate dalla presenza di polvere.**

---

## TRATTAMENTO ACCURATO E USO CORRETTO DEGLI ELETTROTENSILI

---

- a. **Non sottoporre la macchina a sovraccarico. Per il proprio lavoro, utilizzare esclusivamente l'elettrotensile esplicitamente previsto per il caso. Con un elettrotensile adatto si lavora in modo migliore e più sicuro nell'ambito della sua potenza di prestazione.**
- b. **Non utilizzare mai elettrotensili con interruttori difettosi. Un elettrotensile con l'interruttore rotto è pericoloso e deve essere aggiustato.**
- c. **Togliere la spina dalla presa e/o la batteria ricaricabile di corrente prima di iniziare a regolare l'elettrotensile, di sostituire pezzi di ricambio o di mettere da parte l'elettrotensile. Tale precauzione eviterà che l'elettrotensile possa essere messo in funzione involontariamente.**
- d. **Quando gli elettrotensili non vengono utilizzati, conservarli al di fuori del raggio di accesso di bambini. Non fare usare l'elettrotensile a persone che non siano abituate ad usarlo o che non abbiano letto le presenti istruzioni. Gli elettrotensili sono macchine pericolose quando vengono utilizzati da persone non dotate di sufficiente esperienza.**
- e. **Effettuare accuratamente la manutenzione dell'elettrotensile. Verificare che le parti mobili dell'elettrotensile funzionino perfettamente e non s'incepino, che non ci siano pezzi rotti o danneggiati al punto tale da limitare la funzione dell'elettrotensile stesso. Prima di iniziare l'impiego, far riparare le**

**parti danneggiate. Numerosi incidenti vengono causati da elettrotensili la cui manutenzione è stata effettuata poco accuratamente.**

- f. **Mantenere gli utensili da taglio sempre affilati e puliti. Gli utensili da taglio curati con particolare attenzione e con taglienti affilati s'incepiscono meno frequentemente e sono più facili da condurre.**
- g. **Utilizzare utensili elettrici, accessori, attrezzi, ecc. in conformità con le presenti istruzioni. Così facendo, tenere sempre presente le condizioni di lavoro e le operazioni da eseguire. L'impiego di elettrotensili per usi diversi da quelli consentiti potrà dar luogo a situazioni di pericolo.**

---

## UTILIZZO E CURA DELL'UTENSILE A BATTERIA

---

- a. **Ricaricare l'utensile solamente con il caricatore specificato dal costruttore. Un caricabatterie adatto ad un tipo di batterie può creare rischio di incendio se utilizzato con un altro tipo di batterie.**
- b. **Utilizzare gli utensili solamente con i tipi di batterie appositamente previsti. L'utilizzo di altri tipi di batterie può creare rischi di lesioni e incendi.**
- c. **Quando non si utilizzano le batterie, tenerle lontano da altri oggetti in metallo, ad es. fermagli per carta, monete, chiavi, chiodi, viti o altri piccoli oggetti in metallo, che possono collegare un terminale all'altro. Il cortocircuito dei terminali delle batterie può causare ustioni o incendi.**
- d. **In condizioni di utilizzo improprio, può fuoriuscire del liquido dalla batteria; evitare il contatto. In caso di contatto accidentale, sciacquare immediatamente con acqua. Se il liquido entra a contatto con gli occhi, consultare un medico. Il liquido fuoriuscito dalla batteria può causare irritazione o ustioni.**

---

## ASSISTENZA

---

- a. **Fare riparare l'elettrotensile solo ed esclusivamente da personale specializzato e solo impiegando pezzi di ricambio originali. In tale maniera potrà essere salvaguardata la sicurezza dell'elettrotensile.**

---

## ISTRUZIONI DI SICUREZZA PER TUTTE LE APPLICAZIONI

---

### ISTRUZIONI DI SICUREZZA GENERALI PER LAVORI DI LEVIGATURA, LEVIGATURA CON CARTA VETRATA, LAVORI CON SPAZZOLE METALLICHE, LUCIDATURA E TRONCATURA

---

- a. **Questo elettrotensile è previsto per essere utilizzato come levigatrice, levigatrice per carta a vetro, spazzola metallica, lucidatrice e troncatrice. Attenersi a tutte le avvertenze di pericolo, istruzioni, rappresentazioni e dati che si ricevono insieme all' elettrotensile. In caso di mancata osservanza delle seguenti istruzioni vi è il pericolo di provocare una scossa elettrica, di sviluppare incendi e/o di provocare seri incidenti.**

- b. **Non utilizzare nessun accessorio che la casa costruttrice non abbia esplicitamente previsto e raccomandato per questo elettroutensile.** Il semplice fatto che un accessorio possa essere fissato al Vostro elettroutensile non è una garanzia per un impiego sicuro.
- c. **Il numero di giri ammesso dell'accessorio impiegato deve essere almeno tanto alto quanto il numero massimo di giri riportato sull'elettroutensile.** Un accessorio che giri più rapidamente di quanto consentito può essere danneggiato.
- d. **Il diametro esterno e lo spessore dell'accessorio montato devono corrispondere ai dati delle dimensioni dell'elettroutensile in dotazione.** In caso di utilizzo di portautensili e di accessori di dimensioni sbagliate non sarà possibile schermarli oppure controllarli a sufficienza.
- e. **Dischi abrasivi, flange, platorelli oppure altri portautensili ed accessori devono adattarsi perfettamente al mandrino portamolala dell'elettroutensile in dotazione.** Portautensili ed accessori che non si adattano perfettamente al mandrino portamolala dell'elettroutensile non ruotano in modo uniforme, vibrano molto forte e possono provocare la perdita del controllo.
- f. **Non utilizzare mai portautensili od accessori danneggiati.** Prima di ogni utilizzo controllare i portautensili e gli accessori ed accertarsi che sui dischi abrasivi non vi siano scheggiature o crepature, che il platorello non sia soggetto ad incrinature, crepature o forte usura e che le spazzole metalliche non abbiano fili metallici allentati oppure rotti. Se l'elettroutensile oppure l'accessorio impiegato dovesse sfuggire dalla mano e cadere, accertarsi che questo non abbia subito nessun danno oppure utilizzare un accessorio intatto. Una volta controllato e montato il portautensili o accessorio, far funzionare l'elettroutensile per la durata di un minuto con il numero massimo di giri avendo cura di tenersi lontani e di impedire anche ad altre persone presenti di avvicinarsi al portautensili o accessorio in rotazione. Nella maggior parte dei casi i portautensili o accessori danneggiati si rompono nel corso di questo periodo di prova.
- g. **Indossare abbigliamento di protezione. A seconda dell'applicazione in corso utilizzare una visiera completa, maschera di protezione per gli occhi oppure occhiali di sicurezza. Per quanto necessario, portare maschere per polveri, protezione acustica, guanti di protezione oppure un grembiule speciale in grado di proteggervi da piccole particelle di levigatura o di materiale.** Gli occhi dovrebbero essere protetti da corpi estranei scaraventati per l'aria nel corso di diverse applicazioni. La maschera antipolvere e la maschera respiratoria devono essere in grado di filtrare la polvere provocata durante l'applicazione. Esponendosi per lungo tempo ad un rumore troppo forte vi è il pericolo di perdere l'udito.
- h. **Avere cura di evitare che altre persone possano avvicinarsi alla zona in cui si sta lavorando. Ogni persona che entra nella zona di operazione deve indossare un abbigliamento protettivo personale.**
- Frammenti del pezzo in lavorazione oppure utensili rotti possono volar via oppure provocare incidenti anche al di fuori della zona diretta di lavoro.*
- i. **Quando si eseguono lavori in cui vi è pericolo che l'accessorio impiegato possa arrivare a toccare cavi elettrici nascosti oppure anche il cavo elettrico dell'elettroutensile stesso, operare con l'elettroutensile afferrandolo sempre alle superfici di impugnatura isolate.** Un contatto con un cavo elettrico mette sotto tensione anche parti in metallo dell'elettroutensile provocando quindi una scossa elettrica.
- j. **Tenere il cavo di collegamento elettrico sempre lontano da portautensili o accessori in rotazione.** Se si perde il controllo sull'elettroutensile vi è il pericolo di troncane o di colpire il cavo di collegamento elettrico e la Vostra mano o braccio può arrivare a toccare il portautensili o accessorio in rotazione.
- k. **Mai poggiare l'elettroutensile prima che il portautensili o l'accessorio impiegato non si sia fermato completamente.** L'utensile in rotazione può entrare in contatto con la superficie di appoggio facendo Vi perdere il controllo sull'elettroutensile
- l. **Mai trasportare l'elettroutensile mentre questo dovesse essere ancora in funzione.** Attraverso un contatto casuale l'utensile in rotazione potrebbe fare presa sugli indumenti oppure sui capelli dell'operatore e potrebbe arrivare a ferire seriamente il corpo dell'operatore.
- m. **Pulire regolarmente le feritoie di ventilazione dell'elettroutensile in dotazione.** Il ventilatore del motore attira polvere nella carcassa ed una forte raccolta di polvere di metallo può provocare pericoli di origine elettrica.
- n. **Non utilizzare mai l'elettroutensile nelle vicinanze di materiali infiammabili.** Le scintille possono far prendere fuoco questi materiali.
- o. **Non utilizzare mai accessori che richiedano refrigeranti liquidi.** L'utilizzo di acqua o di altri liquidi refrigeranti può provocare una scossa di corrente elettrica.

---

## CONTRACCOLPO E RELATIVE AVVERTENZE DI PERICOLO

---

Un contraccolpo è l'improvvisa reazione in seguito ad aggancio oppure blocco di accessorio in rotazione come può essere un disco abrasivo, platorello, spazzola metallica ecc. Agganciandosi oppure bloccandosi il portautensili o accessorio provoca un arresto improvviso della rotazione dello stesso. In questo caso l'operatore non è più in grado di controllare l'elettroutensile ed al punto di blocco si provoca un rimbalzo dello stesso che avviene nella direzione opposta a quella della rotazione del portautensili o dell'accessorio. Se p. es. un disco abrasivo resta agganciato o bloccato nel pezzo in lavorazione, il bordo del disco abrasivo che si abbassa nel pezzo in lavorazione può rimanere impigliato provocando in questo modo una rottura oppure un contraccolpo del disco abrasivo. Il disco abrasivo si avvicina o si allontana dall'operatore a seconda della direzione di rotazione che ha nel momento in cui si blocca. In tali situazioni è possibile che le mole abrasive possano anche rompersi. Un contraccolpo è la conseguenza di un utilizzo non appropriato oppure non corretto dell'elettroutensile. Esso può essere evitato soltanto prendendo misure adatte di sicurezza come dalla descrizione che segue.

- a. Tenere sempre ben saldo l'elettrotensile e portare il proprio corpo e le proprie braccia in una posizione che Vi permetta di compensare le forze di contraccolpo. Se disponibile, utilizzare sempre l'impugnatura supplementare in modo da poter avere sempre il maggior controllo possibile su forze di contraccolpi oppure momenti di reazione che si sviluppano durante la fase in cui la macchina raggiunge il regime di pieno carico. Prendendo appropriate misure di precauzione l'operatore può essere in grado di tenere sotto controllo le forze di contraccolpo e quelle di reazione a scatti.
- b. Mai avvicinare la propria mano alla zona degli utensili in rotazione. Nel corso dell'azione di contraccolpo il portautensili o accessorio potrebbe passare sulla Vostra mano.
- c. Evitare di avvicinarsi con il proprio corpo alla zona in cui l'elettrotensile viene mosso in caso di un contraccolpo. Un contraccolpo provoca uno spostamento improvviso dell'elettrotensile che si sviluppa nella direzione opposta a quella della rotazione della mola abrasiva al punto di blocco.
- d. Operare con particolare attenzione in prossimità di spigoli, spigoli taglienti ecc. Avere cura di impedire che portautensili o accessori possano rimbalzare dal pezzo in lavorazione oppure possano rimanervi bloccati. L'utensile in rotazione ha la tendenza a rimanere bloccato in angoli, spigoli taglienti oppure in caso di rimbalzo. Ciò provoca una perdita del controllo oppure un contraccolpo.
- e. Non utilizzare seghe a catena e neppure lame dentellate. Questo tipo di accessori provocano spesso un contraccolpo oppure la perdita del controllo sull'elettrotensile.

## **PARTICOLARI AVVERTENZE DI PERICOLO PER OPERAZIONI DI LEVIGATURA E DI TRONCATURA**

- a. Utilizzare sempre la calotta di protezione prevista per il tipo di utensile abrasivo utilizzato. Utensili abrasivi che non sono previsti per l'elettrotensile non possono essere sufficientemente schermati e sono insicuri.
- b. Utensili abrasivi possono essere utilizzati esclusivamente per le possibilità applicative esplicitamente raccomandate. P. es.: mai eseguire lavori di levigatura con la superficie laterale di un disco abrasivo da taglio diritto. Mole abrasive da taglio diritto sono previste per l'asportazione di materiale con il bordo del disco. Esercitando dei carichi laterali su questi utensili abrasivi vi è il pericolo di romperli.
- c. Per la mola abrasiva selezionata, utilizzare sempre flange di serraggio che siano in perfetto stato e che siano della corretta dimensione e forma. Flange adatte hanno una funzione di corretto supporto della mola abrasiva riducendo il più possibile il pericolo di una rottura della mola abrasiva. È possibile che vi sia una differenza tra flange per mole abrasive da taglio diritto e flange per mole abrasive di altro tipo.
- d. Non utilizzare mai mole abrasive usurate previste per elettrotensili più grandi. Mole abrasive previste per elettrotensili più grandi non sono concepite per le maggiori velocità di elettrotensili più piccoli e possono rompersi.

## **ULTERIORI AVVERTENZE DI PERICOLO SPECIFICHE PER LAVORI DI TRONCATURA**

- a. Evitare di far bloccare il disco abrasivo da taglio diritto oppure di esercitare una pressione troppo alta. Non eseguire tagli eccessivamente profondi. Sottoponendo la mola da taglio diritto a carico eccessivo se ne aumenta la sollecitazione e la si rende maggiormente soggetta ad angolarità improprie o a blocchi venendo così a creare il pericolo di contraccolpo oppure di rottura dell'utensile abrasivo.
- b. Evitare di avvicinarsi alla zona anteriore o posteriore al disco abrasivo da taglio in rotazione. Quando l'operatore manovra la mola da taglio diritto nel pezzo in lavorazione in direzione opposta a quella della propria persona, può capitare che in caso di un contraccolpo il disco in rotazione faccia rimbalzare con violenza l'elettrotensile verso l'operatore.
- c. Qualora il disco abrasivo da taglio diritto dovesse incepparsi oppure si dovesse interrompere il lavoro, spegnere l'elettrotensile e tenerlo fermo fino a quando il disco si sarà fermato completamente. Non tentare mai di estrarre il disco abrasivo dal taglio in esecuzione perché si potrebbe provocare un contraccolpo. Rilevare ed eliminare la causa per il blocco.
- d. Mai rimettere l'elettrotensile in funzione fintanto che esso si trovi ancora nel pezzo in lavorazione. Prima di continuare ad eseguire il taglio procedendo con la dovuta attenzione, attendere che il disco abrasivo da taglio diritto abbia raggiunto la massima velocità. In caso contrario è possibile che il disco resti agganciato, sbalzi dal pezzo in lavorazione oppure provochi un contraccolpo.
- e. Dotare di un supporto adatto pannelli oppure pezzi in lavorazione di dimensioni maggiori in modo da ridurre il rischio di un contraccolpo dovuto ad un disco abrasivo da taglio diritto che rimane bloccato. Pezzi in lavorazione di dimensioni maggiori possono piegarsi sotto l'effetto del proprio peso. Provvedere a munire il pezzo in lavorazione di supporti adatti al caso specifico sia nelle vicinanze del taglio di troncatura che in quelle del bordo.
- f. Operare con particolare attenzione in caso di "tagli dal centro" da eseguire in pareti già esistenti oppure in altre parti non visibili. Il disco abrasivo da taglio diritto che inizia il taglio sul materiale può provocare un contraccolpo se dovesse arrivare a troncature condutture del gas o dell'acqua, linee elettriche oppure oggetti di altro tipo.

## **AVVERTENZE DI PERICOLO SPECIFICHE PER LAVORI DI LEVIGATURA CON CARTA VETRATA**

- a. Non utilizzare fogli abrasivi eccessivamente sovradimensionati. Non utilizzare mai fogli abrasivi troppo grandi ma attenersi alle indicazioni del rispettivo produttore relative alle dimensioni dei fogli abrasivi. Fogli abrasivi che dovessero sporgere oltre il platello possono provocare incidenti oppure blocchi, strappi dei fogli abrasivi oppure contraccolpi.

## AVVERTENZE DI PERICOLO SPECIFICHE PER OPERAZIONI DI LUCIDATURA

- a. Evitare assolutamente che parti della cappa lucidatura restino staccate e prestare in modo particolare attenzione alle cordicelle di fissaggio. Raccogliere per bene oppure tagliare le cordicelle di fissaggio ad una lunghezza adatta. Cordicelle di fissaggio che girino con la cappa possono far presa sulle dita dell'operatore oppure rimanere impigliate nel pezzo in lavorazione.

## AVVERTENZE DI PERICOLO SPECIFICHE PER LAVORI CON SPAZZOLE METALLICHE

- a. Tenere presente che la spazzola metallica perde pezzi di fil di ferro anche durante il comune impiego. Non sottoporre i fili metallici a carico troppo elevato esercitando una pressione troppo alta. Pezzi di fil di ferro scaraventati per l'aria possono penetrare molto facilmente attraverso indumenti sottili e/o la pelle.
- b. Impiegando una calotta di protezione si impedisce che la calotta di protezione e la spazzola metallica possano toccarsi. I diametri delle spazzole a disco e delle spazzola a tazza possono essere aumentati attraverso forze di pressione e tramite l'azione di forze centrifugali.
- c. Non superare 15000 min<sup>-1</sup> in caso di utilizzo di spazzole metalliche.

**ATTENZIONE** Non lavorare mai materiali contenenti amianto (l'amianto è ritenuto materiale cancerogeno).

**ATTENZIONE** Prendere dei provvedimenti appropriati in caso che durante il lavoro dovessero svilupparsi polveri dannose per la salute, infiammabili oppure esplosive (alcune polveri sono considerate cancerogene); portare una maschera di protezione contro la polvere ed utilizzare, se collegabile, un sistema di aspirazione polvere/aspirazione trucioli.

## AMBIENTE

### SMALTIMENTO

Avviare ad un riciclaggio rispettoso dell'ambiente gli imballaggi, gli elettrotensili e gli accessori dismessi.

### SOLO PER I PAESI EUROPEI



Non gettare elettrotensili dismessi tra i rifiuti domestici! Conformemente alla norma della direttiva CE 2002/96 sui rifiuti di apparecchiature elettriche ed elettroniche (RAEE) ed all'attuazione del recepimento nel diritto nazionale, gli elettrotensili diventati inservibili devono essere raccolti separatamente ed essere inviati ad una riutilizzazione ecologica.

## DATI TECNICI

### DATI TECNICI GENERALI

Tensione di funzionamento . . . 7,2V  
Intensità di funzionamento . . . 0,7 Ah  
Velocità a vuoto . . . . .  $n_0$  10000/20000 min<sup>-1</sup>  
Dimensioni pinze . . . . . 0,8 mm, 1,6 mm, 2,4 mm, 3,2 mm

### CAVI DI PROLUNGA

Utilizzare esclusivamente cavi di prolunga completamente svolti con portata minima di 5 amp.

### DATI TECNICI MOTORE

Questo multiutensile utilizza un motore a velocità variabile. Si collega a una tensione di funzionamento pari a 230-240 V, 50-60 Hz. Verificare sempre che la tensione di alimentazione corrisponda alla tensione indicata sulla targhetta utensile (utensili operativi a 230V o 240V possono anche essere collegati ad alimentazioni di 220V).

## MONTAGGIO

SPENGERE SEMPRE L'UTENSILE PRIMA DI SOSTITUIRE GLI ACCESSORI, I MANDRINI O DI PROCEDERE A OPERAZIONI DI MANUTENZIONE.

### GENERALE

Il multiutensile Dremel è uno strumento di precisione di alta qualità, adatto per lavori dettagliati e complessi. La vasta gamma di accessori e complementi Dremel permette di svolgere i più svariati lavori. Tra questi, levigatura, intaglio, incisione e fresatura, taglio, pultura e lucidatura. FIGURA 1

FIGURA 2

- A. Ghiera di serraggio
- B. Pinza
- C. Cappuccio
- D. Pulsante di blocco albero
- E. Soft-grip
- F. Aperture di ventilazione
- G. Interruttore di accensione/spengimento e selezione velocità
- H. Linguetta di rilascio
- I. Batteria
- J. Caricabatterie

### CARICA DELL'UTENSILE

Il miniutensile senza cavo non è completamente carico. L'utensile è dotato di batterie estraibili. Verificare di caricare le batterie prima del primo utilizzo.

Per caricare l'utensile:

1. Posizionare l'interruttore su "OFF". FIGURA 2

2. Premere le linguette di rilascio su entrambi i lati della batteria; quindi estrarre la batteria dal lato posteriore dell'utensile.  
FIGURA 2
3. Allineare l'esterno della batteria con l'esterno del caricatore (le frecce presenti sulla batteria indicheranno la stessa direzione delle frecce presenti sul caricatore), premere le linguette di rilascio, inserire la batteria nel caricatore e rilasciare le linguette in modo che si fissi in posizione.
4. Inserire il caricatore nella presa di corrente. Il LED verde indica l'avvenuto collegamento: la batteria si sta caricando. In condizioni di normale utilizzo, sono necessarie 3 ore di carica affinché l'utensile raggiunga la massima capacità. Al termine dell'operazione, il LED presente sul caricatore si spegne.
5. Al termine dell'operazione di carica, premere le linguette di rilascio ed estrarre la batteria dal caricatore.
6. Allineare l'esterno della batteria con l'esterno del corpo utensile. Premere le linguette di rilascio, inserire la batteria dal lato posteriore dell'utensile; rilasciare quindi le linguette in modo che la batteria si fissi in posizione.

---

### IMPORTANTI NOTE PER LA CARICA

---

1. Le batterie si caricano solo per circa l'80% della massima capacità nel corso dei primi cicli di carica. Tuttavia, dopo i primi cicli, le batterie si caricheranno fino a raggiungere la loro massima capacità.
2. Il caricatore è stato pensato per caricare velocemente le batterie solo ad una temperatura batterie compresa tra 4 °C e 41 °C.
3. Una diminuzione sostanziale del tempo di funzionamento per carica indica che la vita delle batterie è quasi finita e dovranno essere sostituite.

*NOTA: L'utilizzo di caricatori o batterie non venduti da Dremel invaliderà la garanzia.*

---

### PINZE

---

Gli accessori Dremel previsti per il multiutensile hanno gambi di diverse dimensioni. Sono disponibili quattro pinze di dimensioni diverse per le varie dimensioni dei gambi. Le dimensioni delle pinze sono identificate dagli anelli presenti alla base delle pinze stesse.

FIGURA 3

- L. Pinza da 3,2 mm senza anello
- M. Pinza da 2,4 mm con tre anelli
- N. Pinza da 1,6 mm con due anelli
- O. Pinza da 0,8 mm con un anello

Usare sempre la pinza che si adatta alle dimensioni del gambo e dell'accessorio che si intende usare. Non forzare un accessorio con gambo di diametro superiore della pinza.

---

### SOSTITUZIONE PINZE

---

FIGURA 4

- P. Pulsante di blocco albero
- Q. Chiave di serraggio
- R. Serrare
- S. Allentare

### T. Ghiera di serraggio

1. Premere il pulsante di blocco dell'albero e, tenendolo premuto, ruotare l'albero a mano fino a che non si blocca. *Non azionare il pulsante di blocco dell'albero mentre il multiutensile sta girando.*
2. A pulsante di blocco dell'albero azionato, svitare e smontare la ghiera della pinza. Se necessario utilizzare la chiave di serraggio.
3. Estrarre la pinza dall'albero.
4. Inserire la pinza della dimensione desiderata nell'albero e serrare la ghiera di serraggio. Non serrare completamente la ghiera in assenza di punta o accessorio.

---

### SOSTITUZIONE ACCESSORI

---

FIGURA 4

#### P. Pulsante di blocco albero

1. Premere il pulsante di blocco dell'albero e ruotare l'albero a mano fino a che non si blocca. *Non azionare il pulsante di blocco dell'albero mentre il multiutensile sta girando.*
2. A pulsante di blocco dell'albero azionato, allentare (ma non rimuovere) la ghiera di serraggio. Se necessario utilizzare la chiave di serraggio.
3. Inserire il gambo della punta o dell'accessorio nella pinza.
4. A pulsante di blocco dell'albero azionato, serrare la ghiera di serraggio fino a che il gambo della punta/accessorio non è bloccato. Utilizzare la chiave per fissare la punta o l'accessorio nel mandrino.

*N.B.: Leggere le istruzioni fornite con gli accessori Dremel per ulteriori informazioni sull'utilizzo.*

Utilizzare esclusivamente accessori Dremel testati e ad elevate prestazioni.

---

## PER INZIARE

---

### USO

---

Prima di utilizzare il multiutensile è necessario "conoscerlo". Impugnarlo e valutarne il peso e il bilanciamento. Si prenda confidenza con l'estremità afusolata dell'utensile. E' questa parte che permette di impugnarlo come una penna o una matita. L'impugnatura morbida garantisce comfort e controllo durante la lavorazione.

*Tenere sempre l'utensile lontano dal volto. Gli accessori potrebbero essere stati danneggiati durante la spedizione e potrebbero volar via ruotando ad alta velocità.*

*Nel maneggiare l'utensile evitare di coprire con le mani le aperture di aerazione. Se si bloccano le aperture di aerazione, il motore potrebbe surriscaldarsi.*

**IMPORTANTE!** Provare ad utilizzare l'utensile su materiale di scarto per testarlo alle alte velocità. Ricordare che le prestazioni del multiutensile sono migliori se si permette alla velocità, insieme agli accessori e ai complementi Dremel più adatti, di svolgere completamente il lavoro. Se possibile non fare pressione sull'utensile in fase di utilizzo. Al contrario, appoggiare con cautela l'accessorio in rota-

zione sulla superficie di lavoro portandolo in contatto con il punto in corrispondenza del quale si vuole iniziare. Concentrarsi sulla guida dell'utensile lungo il pezzo applicando una leggerissima pressione con la mano. Deve essere l'accessorio a eseguire il lavoro.

Solitamente si consiglia di eseguire una serie di passate con l'utensile piuttosto che una sola passata per completare il lavoro. Un tocco leggero garantisce un migliore controllo e riduce le possibilità di errore.

Per un migliore controllo in lavori di precisione, impugnare il multiutensile come una penna tra pollice e indice. FIGURA 6

La presa "a mazza da golf" viene solitamente utilizzata per lavori più pesanti, quali levigatura o taglio. FIGURA 7

## VELOCITÀ SELEZIONABILI

Questo è uno strumento multiuso ad alta velocità, che può essere impostata su 10000 o 20000 min<sup>-1</sup>. La regolazione della velocità adeguandola al tipo di lavoro fornirà risultati ottimali. Per ottenere i risultati migliori quando si lavora con materiali diversi, impostare il controllo velocità in base al lavoro. Per selezionare la velocità corretta per l'accessorio in uso, provare prima con una piccola parte di materiale.

Le impostazioni interruttore dello strumento multiuso Ni-Cd da 7,2 V sono contrassegnate sull'interruttore di controllo velocità. E' possibile svolgere molti lavori con l'utensile regolato alla massima velocità. Tuttavia, alcuni materiali (alcuni tipi di plastica e metallo) possono danneggiarsi per il calore generato dall'alta velocità e dovrebbero pertanto essere lavorati a basse velocità. Le basse velocità (15000 min<sup>-1</sup> o meno) sono generalmente adatte per interventi di lucidatura con accessori di lucidatura in feltro. In caso di utilizzo di spazzole, le velocità devono essere basse per evitare scariche dal manico. Lasciare che l'utensile lavori per voi alle basse velocità. Le velocità più alte sono ideali per legni duri, metalli e vetro, oltre che per interventi di foratura, intaglio, taglio, fresatura, formatura e taglio di dadi e battute in legno.

Alcune indicazioni sulla velocità dell'utensile:

- La plastica e i materiali che fondono a basse temperature devono essere lavorati a bassa velocità.
- Lucidatura e pulitura con spazzola metallica devono essere eseguite a velocità inferiore a 15000 min<sup>-1</sup> per non danneggiare la spazzola e il materiale.
- Il legno deve essere lavorato a velocità elevata.
- Il ferro e l'acciaio devono essere lavorati a velocità elevata.
- Se un utensile da taglio in acciaio ad alta velocità inizia a vibrare, solitamente ciò significa che è stata selezionata una velocità troppo bassa.
- L'alluminio, il rame, le leghe di piombo, le leghe di zinco e lo stagno possono essere lavorati a velocità diverse, a seconda del tipo di lavorazione che si deve eseguire. Usare paraffina (non acqua) o altro lubrificante adatto sull'utensile di taglio per evitare che il materiale asportato aderisca al tagliente.

*N.B.: Aumentare la pressione sull'utensile se non taglia come si vorrebbe, non risolve il problema. Provare ad utilizzare un accessorio o una regolazione della velocità diversi per ottenere i risultati desiderati.*

## MANUTENZIONE

*La manutenzione preventiva eseguita da personale non autorizzato può causare l'errato posizionamento di componenti e dei cavi interni con possibili gravi rischi per le persone. Raccomandiamo che l'assistenza sugli utensili sia eseguita presso i centri di assistenza autorizzati Dremel. Per evitare incidenti dovuti ad avvio non previsto o scariche elettriche, spegnere l'elettroutensile prima di qualsiasi intervento manutentivo o di pulitura.*

## COME PULIRE L'UTENSILE

SPEGNERE L'UTENSILE PRIMA DI QUALSIASI INTERVENTO DI PULITURA

Le aperture di aerazione e le leve degli interruttori devono essere tenute pulite e libere da corpi estranei. Non cercare di pulire inserendo oggetti appuntiti attraverso le aperture.

*L'utensile può essere pulito a fondo usando aria compressa. Quando si puliscono gli utensili con aria compressa indossare sempre occhiali di sicurezza.*

Non occorre lubrificare il multiutensile Dremel.

*Alcuni prodotti e solventi per la pulizia danneggiano i componenti in plastica. Tra questi ci sono la benzina, il tetracloruro di carbonio, i solventi clorinati, l'ammoniaca e i detersivi per uso domestico a base di ammoniaca.*

Pulire le aree di "impugnatura" dello strumento usando un panno umido. Le aree più dure possono richiedere più di una passata per diventare pulite.

## ASSISTENZA E GARANZIA

Questo prodotto DREMEL è garantito come da disposizioni normative/nazionali; eventuali danni dovuti a normale usura, sovraccarico o utilizzo improprio non sono coperti da garanzia.

## CONTATTO DREMEL

Per ulteriori informazioni sulla gamma di prodotti Dremel, supporto e numero verde, visitare il sito [www.dremel.com](http://www.dremel.com)

Dremel Europe, P.O. Box 3267, 4800 DG Breda, Paesi Bassi

## VERTALING VAN DE ORIGINELE GEBRUIKSAANWIJZING

### GEBRUIKTE SYMBOLEN



LEES DEZE INSTRUCTIES



DRAAG GEHOORBESCHERMING



GEbruik OOGBESCHERMING



## GEBRUIK EEN STOFMASKER

# GEREEDSCHAP - ALGEMENE VEILIGHEIDSWAARSCHUWINGEN



## ▲ LET OP INSTRUCTIES.

### LEES ALLE VEILIGHEIDSWAARSCHUWINGEN EN ALLE

*Mocht u de onderstaande instructies niet opvolgen dan kan er zich mogelijk een elektrische schok voordoen of kunt u brandwonden en/of ernstig letsel oplopen.*

**Bewaar alle waarschuwingen en instructies als referentiemateriaal.**

*De term "elektrisch gereedschap" in alle onderstaande waarschuwingen duidt op een elektrisch apparaat dat door het net (met een snoer) of door een accu (draadloos) wordt aangedreven.*

## VEILIGHEID VAN DE WERKPLEK

- Houd uw werkomgeving schoon en opgeruimd.** Een rommelige of onverlichte werkomgeving kan tot ongevallen leiden.
- Werk met het gereedschap niet in een omgeving met explosiegevaar** waarin zich brandbare vloeistoffen, brandbare gassen of brandbaar stof bevinden. Elektrische gereedschappen veroorzaken vonken die het stof of de dampen tot ontsteking kunnen brengen.
- Houd kinderen en andere personen tijdens het gebruik van het elektrische gereedschap uit de buurt.** Wanneer u wordt afgeleid, kunt u de controle over het gereedschap verliezen.

## ELEKTRISCHE VEILIGHEID

- De aansluitstekker van het gereedschap moet in het stopcontact passen.** De stekker mag in geen geval worden veranderd. Gebruik geen adapterstekkers in combinatie met gearde gereedschappen. Onveranderde stekkers en passende stopcontacten beperken het risico van een elektrische schok.
- Voorkom aanraking van het lichaam met gearde oppervlakken, bijvoorbeeld van buizen, verwarmingen, fornuizen en koelkasten.** Er bestaat een verhoogd risico op een elektrische schok wanneer uw lichaam geaard is.
- Houd het gereedschap uit de buurt van regen en vocht.** Het binnendringen van water in het elektrische gereedschap vergroot het risico van een elektrische schok.
- Gebruik de kabel niet voor een verkeerd doel, om het gereedschap te dragen of op te hangen of om de stekker uit het stopcontact te trekken.** Houd de kabel uit de buurt van hitte, olie, scherpe randen en bewegende gereedschapsdelen. Beschadigde of in de war geraakte kabels vergroten het risico van een elektrische schok.
- Bij gebruik van elektrisch gereedschap buitenshuis is een geschikte verlengkabel noodzakelijk.** Het gebruik van een voor buitenshuis geschikte verlengkabel beperkt het risico van een elektrische schok.

- Als het gebruik van het elektrische gereedschap in een vochtige omgeving onvermijdelijk is, dient u een aardlekschakelaar te gebruiken.** Het gebruik van een aardlekschakelaar vermindert het risico van een elektrische schok.

## VEILIGHEID VAN PERSONEN

- Wees alert, let goed op wat u doet en ga met verstand te werk bij het gebruik van het elektrische gereedschap.** Gebruik het gereedschap niet wanneer u moe bent of onder invloed staat van drugs, alcohol of medicijnen. Een moment van onoplettendheid bij het gebruik van het gereedschap kan tot ernstige verwondingen leiden.
- Draag persoonlijke beschermende uitrusting en altijd een veiligheidsbril.** Het dragen van persoonlijke beschermende uitrusting zoals een stofmasker, slipvaste werkschoenen, een veiligheidshelm of gehoorbescherming, afhankelijk van de aard en het gebruik van het elektrische gereedschap, vermindert het risico van verwondingen.
- Voorkom per ongeluk inschakelen.** Controleer dat het elektrische gereedschap uitgeschakeld is, voordat u de stekker in het stopcontact steekt. Wanneer u bij het dragen van het gereedschap uw vinger aan de schakelaar hebt of wanneer u het gereedschap ingeschakeld op de stroomvoorziening aansluit, kan dit tot ongevallen leiden.
- Verwijder instelgereedschappen of schroefslutels voordat u het gereedschap inschakelt.** Een instelgereedschap of sleutel in een draaiend deel van het gereedschap kan tot verwondingen leiden.
- Overschat u zelf niet.** Zorg ervoor dat u stevig staat en steeds in evenwicht blijft. Daardoor kunt u het gereedschap in onverwachte situaties beter onder controle houden.
- Draag geschikte kleding.** Draag geen loshangende kleding of sieraden. Houd haren, kleding en handschoenen uit de buurt van bewegende delen. Loshangende kleding, lange haren en sieraden kunnen door bewegende delen worden meegenomen.
- Wanneer stofafzuigings- of stofopvangvoorzieningen kunnen worden gemonteerd, dient u zich ervan te verzekeren dat deze zijn aangesloten en juist worden gebruikt.** Het gebruik van deze voorzieningen beperkt het gevaar door stof.

## ZORGVULDIGE OMGANG MET EN ZORGVULDIG GEBRUIK VAN ELEKTRISCHE GEREEDSCHAPPEN

- Overbelast het gereedschap niet.** Gebruik voor uw werkzaamheden het daarvoor bestemde elektrische gereedschap. Met het passende elektrische gereedschap werkt u beter en veiliger binnen het aangegeven capaciteitsbereik.
- Gebruik geen elektrisch gereedschap waarvan de schakelaar defect is.** Elektrisch gereedschap dat niet meer kan worden in- of uitgeschakeld, is gevaarlijk en moet worden gerepareerd.

## VEILIGHEIDSVOORSCHRIFTEN VOOR ALLE TOEPASSINGEN

### ALGEMENE WAARSCHUWINGEN VOOR SLIJPEN, SCHUREN, BORSTELLEN, POLIJSTEN EN DOORSLIJPEN

- c. Trek de stekker uit het stopcontact of neem de accu uit het elektrische gereedschap voordat u het gereedschap instelt, toebehoren wisselt of het gereedschap weglegt. *Deze voorzorgsmaatregel voorkomt onbedoeld starten van het gereedschap.*
- d. Bewaar niet-gebruikte elektrische gereedschappen buiten bereik van kinderen. Laat het gereedschap niet gebruiken door personen die er niet mee vertrouwd zijn en deze aanwijzingen niet hebben gelezen. *Elektrische gereedschappen zijn gevaarlijk wanneer deze door onervaren personen worden gebruikt.*
- e. Verzorg het gereedschap zorgvuldig. Controleer of bewegende delen van het gereedschap correct functioneren en niet vastklemmen en of onderdelen zodanig gebroken of beschadigd zijn dat de werking van het gereedschap nadelig wordt beïnvloed. Laat deze beschadigde onderdelen voor het gebruik repareren. *Veel ongevallen hebben hun oorzaak in slecht onderhouden van elektrische gereedschappen.*
- f. Houd snijdende inzetgereedschappen scherp en schoon. *Zorgvuldig onderhouden snijdende inzetgereedschappen met scherpe snijkanten klemmen minder snel vast en zijn gemakkelijker te geleiden.*
- g. Gebruik elektrisch gereedschap, toebehoren, inzetgereedschappen en dergelijke volgens deze aanwijzingen. Let daarbij op de arbeidsomstandigheden en de uit te voeren werkzaamheden. *Het gebruik van elektrische gereedschappen voor andere dan de voorziene toepassingen kan tot gevaarlijke situaties leiden.*

### GEbruik EN ONDERHOUD VAN ACCULADER

- a. Laad het apparaat alleen op met de door de fabrikant genoemde lader. *Een lader die geschikt is voor een bepaald type accu, kan bij gebruik met een andere accu brand veroorzaken.*
- b. Gebruik elektrisch gereedschap alleen met de speciaal daarvoor bestemde accu's. *Het gebruik van een andere accu geeft kans op letsel en brand.*
- c. Als de accu niet in gebruik is, houd deze dan uit de buurt van metalen voorwerpen (paperclips, munten, sleutels, spijkers, schroeven en andere kleine metalen voorwerpen) die kortsluiting van de polen kunnen veroorzaken. *Het kortsluiten van de polen kan brandwonden of brand tot gevolg hebben.*
- d. Bij ruw gebruik van het gereedschap kan vloeistof uit de accu komen. Vermijd contact daarmee. Als u toch per ongeluk in contact komt met deze vloeistof, spoel dan af met voldoende water. Als de vloeistof in contact komt met de ogen, dient u medische hulp in te roepen. *Vloeistof uit de accu kan irritatie of brandwonden veroorzaken.*

### SERVICE

- a. Laat het gereedschap alleen repareren door gekwalificeerd en vakkundig personeel en alleen met originele vervangingsonderdelen. *Daarmee wordt gewaarborgd dat de veiligheid van het gereedschap in stand blijft.*

- a. Dit elektrische gereedschap is bestemd voor gebruik als slijpmachine, schuurmachine, borstelmaschine, polijstmachine en doorslijpmachine. **Neem alle waarschuwingen, aanwijzingen, afbeeldingen en gegevens die u bij het elektrische gereedschap ontvangt in acht.** *Als u de volgende aanwijzingen niet in acht neemt, kunnen een elektrische schok, brand en/of ernstig letsel het gevolg zijn.*
- b. Gebruik uitsluitend toebehoren dat door de fabrikant speciaal voor dit elektrische gereedschap is voorzien en geadviseerd. *Het feit dat u het toebehoren aan het elektrische gereedschap kunt bevestigen, waarborgt nog geen veilig gebruik.*
- c. **Het toegestane toerental van het inzetgereedschap moet minstens zo hoog zijn als het maximale toerental dat op het elektrische gereedschap is aangegeven.** *Toebehoren dat sneller draait dan is toegestaan, kan onherstelbaar worden beschadigd.*
- d. **De buitendiameter en de dikte van het inzetgereedschap moeten overeenkomen met de maatgegevens van het elektrische gereedschap.** *Inzetgereedschappen met onjuiste afmetingen kunnen niet voldoende afgeschermd of gecontroleerd worden.*
- e. Slijpschijven, flenzen, steunschijven en ander toebehoren moeten nauwkeurig op de uitgaande as van het elektrische gereedschap passen. *Inzetgereedschappen die niet nauwkeurig op de uitgaande as van het elektrische gereedschap passen, draaien ongelijkmatig, trillen sterk en kunnen tot het verlies van de controle leiden.*
- f. Gebruik geen beschadigde inzetgereedschappen. **Controleer voor het gebruik altijd inzetgereedschappen zoals slijpschijven op afsplinteringen en scheuren, steunschijven op scheuren of sterke slijtage en draadborstels op losse of gebroken draden.** *Als het elektrische gereedschap of het inzetgereedschap valt, dient u te controleren of het beschadigd is, of gebruik een onbeschadigd inzetgereedschap. Als u het inzetgereedschap hebt gecontroleerd en ingezet, laat u het elektrische gereedschap een minuut lang met het maximale toerental lopen. Daarbij dient u en dienen andere personen uit de buurt van het ronddraaiende inzetgereedschap te blijven.* *Beschadigde inzetgereedschappen breken meestal gedurende deze testtijd.*
- g. **Draag persoonlijke beschermende uitrusting.** **Gebruik afhankelijk van de toepassing een volledige gezichtsbescherming, oogbescherming of veiligheidsbril.** **Draag voor zover van toepassing een stofmasker, een gehoorbescherming, werkhandschoenen of een speciaal schort dat kleine slijp- en metaaldeeltjes tegenhoudt.** *Uw ogen moeten worden beschermd tegen wegvliegende deeltjes die bij verschillende toepassingen ontstaan. Een stof- of adembeschermingsmasker moet*



het bij de toepassing ontstaande stof filteren. Als u lang wordt blootgesteld aan luid lawaai, kan uw gehoor worden beschadigd.

- h. Let erop dat andere personen zich op een veilige afstand bevinden van de plaats waar u werkt. Iedereen die de werkomgeving betreedt, moet persoonlijke beschermende uitrusting dragen.** *Brokstukken van het werkstuk of gebroken inzetgereedschappen kunnen wegvliegen en verwondingen veroorzaken, ook buiten de directe werkomgeving.*
- i. Houd het elektrische gereedschap alleen vast aan de geïsoleerde greepvlakken als u werkzaamheden uitvoert waarbij het inzet-gereedschap verborgen stroomleidingen of de eigen netkabel kan raken.** *Contact met een onder spanning staande leiding zet ook de metalen delen van het elektrische gereedschap onder spanning en leidt tot een elektrische schok.*
- j. Houd de stroomkabel uit de buurt van draaiende inzetgereedschappen.** *Als u de controle over het elektrische gereedschap verliest, kan de stroomkabel worden doorgesneden of meegenomen en uw hand of arm kan in het ronddraaiende inzetgereedschap terecht komen.*
- k. Leg het elektrische gereedschap nooit neer voordat het inzetgereedschap volledig tot stilstand is gekomen.** *Het draaiende inzetgereedschap kan in contact komen met het oppervlak, waardoor u de controle over het elektrische gereedschap kunt verliezen.*
- l. Laat het elektrische gereedschap niet lopen terwijl u het draagt.** *Uw kleding kan door toevallig contact met het draaiende inzetgereedschap worden meegenomen en het inzetgereedschap kan zich in uw lichaam boren.*
- m. Reinig regelmatig de ventilatieopeningen van het elektrische gereedschap.** *De motorventilator trekt stof in het huis en een sterke ophoping van metaalstof kan elektrische gevaren veroorzaken.*
- n. Gebruik het elektrische gereedschap niet in de buurt van brandbare materialen.** *Vonken kunnen deze materialen ontsteken.*
- o. Gebruik geen inzetgereedschappen waarvoor vloeibare koelmiddelen vereist zijn.** *Het gebruik van water of andere vloeibare koelmiddelen kan tot een elektrische schok leiden.*

---

## TERUGSLAG EN BIJBEHORENDE WAARSCHUWINGEN

---

Terugslag is de plotselinge reactie als gevolg van een vasthakend of geblokkeerd draaiend inzetgereedschap, zoals een slijpschijf, steunschijf, draadborstel, enz. Vasthaken of blokkeren leidt tot abrupte stilstand van het ronddraaiende inzetgereedschap. Daardoor wordt een ongecontroleerd elektrisch gereedschap tegen de draairichting van het inzetgereedschap versneld op de plaats van de blokkering. Als bijvoorbeeld een slijpschijf in het werkstuk vasthaakt of blokkeert, kan de rand van de slijpschijf die in het werkstuk invalt, zich vastgrijpen. Daardoor kan de slijpschijf uitbreken of een terugslag veroorzaken. De slijpschijf beweegt zich vervolgens naar de bediener toe of van de bediener weg, afhankelijk van de draairichting van de schijf op de plaats van de blokkering. Hierbij kunnen slijpschijven ook breken. Een terugslag is het gevolg van het verkeerd

gebruik of onjuiste gebruiksomstandigheden van het elektrische gereedschap. Terugslag kan worden voorkomen door geschikte voorzorgsmaatregelen, zoals hieronder beschreven.

- a. Houd het elektrische gereedschap goed vast en breng uw lichaam en uw armen in een positie waarin u de terugslagkrachten kunt opvangen.** *Gebruik altijd de extra handgreep, indien aanwezig, om de grootste mogelijke controle te hebben over terugslagkrachten of reactiemomenten bij het op toeren komen.* *De bediener kan door geschikte voorzorgsmaatregelen de terugslag- en reactiekrachten beheersen.*
- b. Breng uw hand nooit in de buurt van draaiende inzetgereedschappen.** *Het inzetgereedschap kan bij de terugslag over uw hand bewegen.*
- c. Mijd met uw lichaam het gebied waarheen het elektrische gereedschap bij een terugslag wordt bewogen.** *De terugslag drijft het elektrische gereedschap in de richting die tegengesteld is aan de beweging van de slijpschijf op de plaats van de blokkering.*
- d. Werk bijzonder voorzichtig in de buurt van hoeken, scherpe randen, enz. Voorkom dat inzetgereedschappen van het werkstuk terugspringen en vastklemmen.** *Het ronddraaiende inzetgereedschap neigt er bij hoeken, scherpe randen of wanneer het terugspringt toe om zich vast te klemmen. Dit veroorzaakt een controleverlies of terugslag.*
- e. Gebruik geen kettingblad of getand zaagblad.** *Zulke inzetgereedschappen veroorzaken vaak een terugslag of het verlies van de controle over het elektrische gereedschap.*

---

## BIJZONDERE WAARSCHUWINGEN VOOR SLIJP- EN DOORSLIJPWERKZAAMHEDEN

---

- a. Gebruik uitsluitend het voor het elektrische gereedschap toegestane slijptoebehoren en de voor dit slijptoebehoren voorziene beschermkap.** *Slijptoebehoren dat niet voor het elektrische gereedschap is voorzien, kan niet voldoende worden afgeschermd en is niet veilig.*
- b. Slijptoebehoren mag alleen worden gebruikt voor de geadviseerde toepassingsmogelijkheden.** *Bijvoorbeeld: slijp nooit met het zijvlak van een doorslijpschijf.* *Doorslijpschijven zijn bestemd voor materiaalafname met de rand van de schijf. Een zijwaartse krachtnwerking op dit slijptoebehoren kan het toebehoren breken.*
- c. Gebruik altijd onbeschadigde spanflenzen in de juiste maat en vorm voor de door u gekozen slijpschijf.** *Geschikte flenzen steunen de slijpschijf en verminderen zo het gevaar van een slijpschijfbreuk. Flenzen voor doorslijpschijven kunnen verschillen van de flenzen voor andere slijpschijven.*
- d. Gebruik geen versleten slijpschijven van grotere elektrische gereedschappen.** *Slijpschijven voor grotere elektrische gereedschappen zijn niet geconstrueerd voor de hogere toerentallen van kleinere elektrische gereedschappen en kunnen breken.*

---

## OVERIGE BIJZONDERE WAARSCHUWINGEN VOOR DOORSLIJPWERKZAAMHEDEN

---

- a. Voorkom blokkeren van de doorslijpschijf en te hoge aandrukkraft. Slijp niet overmatig diep.** *En overbelasting van de doorslijpschijf vergroot de slijtage en*

de gevoeligheid voor kantelen of blokkeren en daardoor de mogelijkheid van een terugslag of breuk van het slijptoebehoren.

- b. **Mijd de omgeving voor en achter de ronddraaiende doorslijpschijf.** Als u de doorslijpschijf in het werkstuk van u weg beweegt, kan in het geval van een terugslag het elektrische gereedschap met de draaiende schijf rechtstreeks naar u toe worden geslingerd.
- c. **Als de doorslijpschijf vastklemt of als u de werkzaamheden onderbreekt, schakelt u het elektrische gereedschap uit en houdt u het rustig tot de schijf tot stilstand is gekomen.** Probeer nooit om de nog draaiende doorslijpschijf uit de groef te trekken. Anders kan een terugslag het gevolg zijn. *Stel de oorzaak van het vastklemmen vast en maak deze ongedaan.*
- d. **Schakel het elektrische gereedschap niet opnieuw in zolang het zich in het werkstuk bevindt.** Laat de doorslijpschijf eerst het volledige toerental bereiken voordat u het doorslijpen voorzichtig voortzet. *Anders kan de schijf vasthaken, uit het werkstuk springen of een terugslag veroorzaken.*
- e. **Ondersteun platen of grote werkstukken om het risico van een terugslag door een ingeklemde doorslijpschijf te verminderen.** Grote werkstukken kunnen onder hun eigen gewicht doorbuigen. *Het werkstuk moet aan beide zijden worden ondersteund, vlakbij de slijpgroef en aan de rand.*
- f. **Wees bijzonder voorzichtig bij invallend frezen in bestaande muren of andere plaatsen zonder voldoende zicht.** *De invallende doorslijpschijf kan bij het doorslijpen van gas- of waterleidingen, elektrische leidingen of andere objecten een terugslag veroorzaken.*

## BIJZONDERE WAARSCHUWINGEN VOOR SCHUURWERKZAAMHEDEN

- a. **Gebruik geen overmatig grote schuurpaperschijven, maar houd u aan de voorschriften van de fabrikant voor de maten van schuurbladen.** *Schuurbladen die over de rand van de steunschijf uitsteken, kunnen verwondingen veroorzaken en kunnen tot blokkeren, scheuren van de schuurbladen of terugslag leiden.*

## BIJZONDERE WAARSCHUWINGEN VOOR POLIJSTWERKZAAMHEDEN

- a. **De polijstkap mag geen losse delen hebben, in het bijzonder geen losse bevestigingsnoeren.** **Maak de bevestigingsnoeren vast of kort deze in.** *Losse, meedraaiende bevestigingsnoeren kunnen uw vingers meenemen of in het werkstuk vasthaken.*

## BIJZONDERE WAARSCHUWINGEN VOOR WERKZAAMHEDEN MET DRAADBORSTELS

- a. **Houd er rekening mee dat de draadborstel ook tijdens het normale gebruik draadstukken verliest.** **Overbelast de draden niet door een te hoge aandrukkracht.** *Wegvliegende draadstukken kunnen gemakkelijk door dunne kleding en/of de huid dringen.*

- b. **Als het gebruik van een beschermkap wordt geadviseerd, dient u te voorkomen dat beschermkap en draadborstel elkaar kunnen raken.** *Vlakstaal- en komstaalborstels kunnen door aandrukkracht en centrifugaalkrachten hun diameter vergroten.*
- c. **Zorg bij het gebruik van een draadborstel dat de grens van 15000/min niet wordt overschreden.**

### LET OP

**Bewerk geen asbesthoudend materiaal** (asbest geldt als kankerwekkend).

### LET OP

**Tref veiligheidsmaatregelen, wanneer er bij werkzaamheden stoffen kunnen**

**ontstaan, die schadelijk voor de gezondheid, brandbaar of explosief zijn** (sommige soorten stof gelden als kankerwekkend); draag een stofmasker en gebruik een afzuiging voor stof en spanen, als deze kan worden aangesloten.

## MILIEU

### AFVALVERWIJDERING

Elektrische gereedschappen, toebehoren en verpakkingen moeten op een voor het milieu verantwoorde wijze worden hergebruikt.

### ALLEEN VOOR EUROPESE LANDEN



Gooi elektrische gereedschappen niet bij het huisvuil. Volgens de Europese richtlijn 2002/96/EG over elektrische en elektronische oude apparaten en de omzetting van de richtlijn in nationaal recht moeten niet meer bruikbare elektrische gereedschappen apart worden ingezameld en op een voor het milieu verantwoorde wijze worden hergebruikt.

## SPECIFICATIES

### ALGEMENE SPECIFICATIES

Nominale spanning . . . . . 7,2V  
Nominale stroomsterkte . . . 0,7 Ah  
Onbelaste snelheid . . . . .  $n_0$  10000/20000 min  
Spancapaciteit . . . . . 0,8 mm, 1,6 mm, 2,4 mm, 3,2 mm

### VERLENGKABELS

Gebruik helemaal uitgerolde en veilige verlengkabels met een vermogen van 5A.

## MONTAGE

SCHAKEL ALTIJD EERST HET GEREEDSCHAP UIT, VOORDAT U INZETGEREEDSCHAPPEN OF SPANTANGEN GAAT WISSELEN OF ONDERHOUD AAN HET GEREEDSCHAP GAAT PLEGEN.

---

## ALGEMEEN

---

Het Dremel multigereedschap is een precisiegereedschap van hoge kwaliteit dat kan worden gebruikt voor het uitvoeren van gedetailleerde en ingewikkelde toepassingen. Het uitgebreide gamma aan Dremel accessoires en hulpstukken stelt u in staat om een grote verscheidenheid aan toepassingen uit te voeren. Deze omvatten toepassingen als schuren, uitsnijdingen maken en graveren, snijden, reinigen en polijsten. **AFBEELDING 1**

### AFBEELDING 2

- A. Spanmoer
- B. Spantang
- C. Afdekplaatje op de behuizing
- D. As-blokkeringsknop
- E. Grip
- F. Ventilatieopeningen
- G. Aan/Uit-schakelaar en snelheidsregeling
- H. Ontgrendelingslipje
- I. Accu
- J. Oplader

---

## HET GEREEDSCHAP OPLADEN

---

Het snoerloos rotatiegereedschap is niet volledig opgeladen. Het gereedschap is uitgerust met een verwisselbare accu. Laad de accu absoluut op voordat u het gereedschap voor de eerste keer gebruikt.

Het gereedschap opladen:

1. Zet de schakelaar in de stand "UIT". **AFBEELDING 2**
2. Druk de ontgrendelingslipjes aan beide kanten van de accu bij elkaar en verwijder de accu uit de achterkant van het gereedschap. **AFBEELDING 2**
3. De omtrek van de accu moet in één lijn liggen met de omtrek van het oplaadapparaat (pijlen op accu wijzen naar de pijlen op het oplaadapparaat); druk de ontgrendelingslipjes bij elkaar, plaats de accu in het oplaadapparaat en laat de lipjes los zodat de accu wordt vastgezet.
4. Steek de stekker van het oplaadapparaat in een wand-contactdoos. Het groene LED-lampje geeft aan dat er een verbinding tot stand is gebracht en dat de accu wordt opgeladen. Gewoonlijk duurt het 3 uur tot het gereedschap is opgeladen tot volledige capaciteit. Wanneer het opladen is voltooid, gaat de LED op het oplaadapparaat uit.
5. Wanneer het opladen is voltooid, drukt u de ontgrendelingslipjes bij elkaar en verwijderd u de accu uit het oplaadapparaat.
6. Breng de omtrek van de accu in lijn met de omtrek van de gereedschapbehuizing. Druk de ontgrendelingslipjes bij elkaar, plaats de accu achterin het gereedschap en laat de lipjes los zodat de accu wordt vastgezet.

---

## BELANGRIJKE AANWIJZINGEN VOOR OPLADEN

---

1. De accu wordt bij de eerste oplaadcyclus tot slechts ca. 80% van zijn maximumcapaciteit opgeladen. Na de eerste oplaadcyclus wordt de accu echter opgeladen tot zijn volledige capaciteit.
2. Het oplaadapparaat werd ontworpen om de accu alleen snel op te laden wanneer de accutemperatuur tussen 4 °C en 41 °C is.

3. Een aanzienlijke daling van de gebruiksduur per oplaadbeurt kan erop duiden dat de levensduur van de accu op zijn einde loopt en dat deze moet worden vervangen.

*OPMERKING: gebruik van oplaadapparaten of accu's die niet door Dremel worden verkocht, kan resulteren in verlies van garantie.*

---

## SPANTANGEN

---

De voor het multigereedschap verkrijgbare Dremel accessoires zijn er met verschillende schachtmaten. Er zijn vier maten spantangen verkrijgbaar voor de verschillende schachtmaten. De spantangmaten zijn te herkennen aan de ringen op de achterkant van de spantang.

### AFBEELDING 3

- L. 3,2 mm spantang zonder ring
- M. 2,4 mm spantang met drie ringen
- N. 1,6 mm spantang met twee ringen
- O. 0,8 mm spantang met één ring

Gebruik altijd de spantang die overeenkomt met de maat van de as-schacht van het accessoire dat u wilt gaan gebruiken. Probeer niet een schacht met een grotere diameter in een kleinere spantang te duwen.

---

## SPANTANGEN WISSELEN

---

### AFBEELDING 4

- P. As-blokkeringsknop
- Q. Spantang
- R. Vastdraaien
- S. Losdraaien
- T. Spanmoer

1. Druk op de as-blokkeringsknop, houd deze ingedrukt en draai de as met de hand tot de schacht blokkeert. *Druk de as-blokkeringsknop niet in terwijl het multigereedschap draait.*
2. Draai bij ingedrukte as-blokkeringsknop de spanmoer los en verwijder deze. Gebruik indien nodig de sleutel.
3. Verwijder de spantang door deze van de as te trekken.
4. Plaats de spantang van het juiste formaat in de as en breng de spanmoer opnieuw handvast aan. Draai de moer niet helemaal vast als er geen accessoire of inzetgereedschap is geplaatst.

---

## ACCESSOIRES WISSELEN

---

### AFBEELDING 4

- P. As-blokkeringsknop

1. Druk op de as-blokkeringsknop, houd deze ingedrukt en draai de as met de hand tot de schachtblokkering vastklikt. *Druk de as-blokkeringsknop niet in terwijl het multigereedschap draait.*
2. Draai bij ingedrukte as-blokkeringsknop de spanmoer los (maar verwijder deze niet). Gebruik indien nodig de sleutel.
3. Plaats de schacht van het accessoire of inzetgereedschap helemaal in de spantang.

4. Terwijl de asvergrendeling is ingeschakeld, moet u de spanmoer handvast vastdraaien tot de schacht van het accessoire door de spantang wordt vastgegrepen. Gebruik de spantang om de accessoire of het inzetgereedschap in de spantang vast te zetten.

*OPMERKING: Lees absoluut de bij uw Dremel accessoire meegeleverde instructies voor meer informatie over het gebruik ervan.*

Gebruik uitsluitend door Dremel geteste accessoires met groot prestatievermogen.

## EEN GOED BEGIN

### GEBRUIK

De eerste stap bij het gebruik van het multigereedschap is u vertrouwd maken met het gereedschap. Houd het gereedschap in uw hand en voel het gewicht en de balans. Voel de taps toelopende behuizing. Dit tapse toelopen maakt het mogelijk om het gereedschap bijna als een pen of potlood vast te houden. Het unieke softgrip op de neus zorgt voor extra comfort en controle tijdens gebruik.

*Houd het gereedschap altijd uit de buurt van uw gezicht. Accessoires kunnen worden beschadigd tijdens het gebruik en kunnen uit elkaar spatten door het hoge toerental.*

*Bedek bij het vasthouden van het gereedschap niet de ventilatieopeningen met uw hand. Blokkeren van de ventilatieopeningen kan leiden tot oververhitting van de motor.*

**BELANGRIJK!** Oefen eerst op een stuk afvalmateriaal om te kijken hoe het gereedschap bij hoge snelheid presteert. Denk eraan dat uw multigereedschap het beste werk levert, wanneer u de snelheid, samen met het juiste Dremel accessoire en juiste hulpstuk, het werk voor u laat doen. Oefen indien mogelijk tijdens gebruik geen druk uit op het gereedschap. Breng in plaats daarvan het draaiende accessoire lichtjes omlaag naar het werkstukoppervlak en laat de punt daar contact maken waar u wilt beginnen. Concentreer u op het geleiden van het gereedschap over het werkstuk, met een lichte druk van uw hand. Sta toe dat het accessoire het werk doet.

Het is gewoonlijk beter om met het gereedschap een aantal keren dezelfde bewerkingsstappen uit te voeren dan om de hele klus in één keer te willen doen. Een voorzichtige aanpak zorgt voor de beste controle en vermindert de kans op fouten.

Voor de beste controle bij nauwkeurig werk moet u het multigereedschap als een pen tussen duim en wijsvinger houden.

#### AFBEELDING 6

Het vasthouden als een golfclub is de beste methode voor zwaardere bewerkingen zoals slijpen of snijden. **AFBEELDING 7**

### WERKTOERENTALLEN

Dit apparaat is een multigereedschap dat op hoge snelheid te gebruiken is. De snelheid kan worden ingesteld op 10000 of 20000/min. Door de snelheid aan te passen, verkrijgt u een beter eindresultaat. Voor het beste resultaat bij het werken met verschillende materialen, past u de snelheidsregeling per specifieke klus aan. Om de juiste snelheid voor het gebruikte hulpstuk in te stellen, oefent u eerst op een stuk afvalmateriaal.

De schakelaarinstellingen van het 7,2V Ni-Cd multigereedschap zijn aangegeven op de schakelaar voor de snelheidsregeling.

De meeste klussen kunnen worden uitgevoerd wanneer het gereedschap in de hoogste stand wordt gebruikt. Bepaalde materialen (sommige kunststoffen en metalen) kunnen echter worden beschadigd door de hitte die vrijkomt bij een hoog toerental, en dienen met relatief lage toerentallen te worden bewerkt. Gebruik met een laag toerental (15000/min of minder) is gewoonlijk het beste voor polijstwerkzaamheden met de polijstaccessoires van viit. Alle toepassingen met de draadborstel vereisen lagere toerentallen om te voorkomen dat draadstukken uit de houder vliegen. Laat de prestatie van het gereedschap het werk voor u doen bij het gebruik van lagere toerentallen. Hogere toerentallen zijn beter voor hardhout, metalen en glas en voor boren, uitsnijdingen maken, snijden, frezen, frezen van profielen en zagen van plinten of spanningen in hout.

Enkele richtlijnen met betrekking tot het toerental van het gereedschap:

- Kunststof en ander materiaal dat bij lage temperaturen smelt, moet met een laag toerental worden bewerkt.
- Polijsten, poetsen en reinigen met een draadborstel moet met een toerental niet hoger dan 15000/min worden uitgevoerd om schade aan de borstel en uw materiaal te voorkomen.
- Hout moet met een hoog toerental worden gezaagd.
- Ijzer of staal moet met een hoog toerental worden gezaagd.
- Als een sneffrees voor staal begint te trillen, wijst dit er gewoonlijk op dat deze te langzaam draait.
- Aluminium, koperlegeringen, zinklegeringen en tin kunnen met verschillende toerentallen worden bewerkt, afhankelijk van het type bewerking dat u wilt uitvoeren. Gebruik een paraffine (geen water) of een ander geschikt smeermiddel om te voorkomen dat er materiaalresten tussen de zaagtanden van de frees gaan zitten.

*OPMERKING: Verhoging van de druk op het gereedschap is niet de juiste reactie, wanneer het niet correct presteert. Probeer een andere accessoire of een andere toerentalinstelling om het gewenste resultaat te verkrijgen.*

## ONDERHOUD

*Preventief onderhoud dat uitgevoerd wordt door onbevoegd personeel, kan resulteren in verkeerd terugplaatsen van inwendige draden en onderdelen. Hierdoor ontstaat groot gevaar. Wij raden aan, dat alle onderhoudswerkzaamheden aan het gereedschap uitgevoerd worden door de Dremel service-afdeling. Om letsel door onverwacht starten of een elektrische schok te vermijden, moet u het elektrische gereedschap altijd uitschakelen voordat u onderhouds- of reinigingswerkzaamheden gaat uitvoeren.*

### HET GEREEDSCHAP REINIGEN

SCHAKEL VOOR REINIGINGSWERKZAAMHEDEN HET GEREEDSCHAP UIT

Ventilatie-openingen en schakelaarhendels moeten schoon en vrij van vreemde voorwerpen gehouden worden. Probeer deze niet te reinigen door spitse voorwerpen door de openingen te steken.

Het gereedschap kan eventueel met perslucht worden gereinigd. Draag altijd een veiligheidsbril bij het reinigen van gereedschappen met perslucht.

Het Dremel multigereedschap hoeft niet te worden gesmeerd. Bepaalde reinigings- en oplosmiddelen tasten kunststof onderdelen aan. Enkele van deze zijn: benzine, tetrachloorkoolstof, gechloreerde reinigingsoplosmiddelen, ammoniak en huishoudelijke schoonmaakmiddelen die ammoniak bevatten.

De handgreep van het gereedschap maakt u schoon met een vochtige doek. Vlakken die erger zijn verontreinigd, kunnen meer dan één keer vegen nodig hebben om schoon te worden.

## SERVICE EN GARANTIE

Op dit DREMEL product wordt garantie verleend overeenkomstig de wettelijke/landspecifieke voorschriften; beschadiging op grond van normale slijtage, overbelasting of onjuiste bediening zijn uitgesloten van de garantie.

Stuur in geval van klachten het gereedschap *volledig intact* samen met het aankoopbewijs naar uw dealer.

## CONTACT OPNEMEN MET DREMEL

Ga voor meer informatie over het Dremel assortiment, support en hotline naar [www.dremel.com](http://www.dremel.com)

Dremel Europe, Postbus 3267, 4800 DG Breda, Nederland

## OVERZÆTTELSE AF BETJENINGSVEJLEDNING

### ANVENDTE SYMBOLER



LÆS DENNE VEJLEDNING



BRUG HØREVÆRN



BRUG ØJENVÆRN



BRUG STØVMASKE

## GENEREL SIKKERHEDSVEJLEDNING VED BRUG AF EL-VÆRKTØJ



**⚠ ADVARSEL** LÆS ALLE SIKKERHEDSVEJLEDNINGER. Det kan

medføre risiko for elektrisk stød, brandfare og risiko for alvorlige personskader at ignorere sikkerhedsvejledningerne.

## Gem alle sikkerhedsvejledninger til senere brug.

Betegnelsen "elektrisk værktøj" i disse forskrifter omfatter alt elektrisk værktøj, der tilsluttes lysnettet (med kabel) eller batteridrevet værktøj (uden kabel).

## SIKKERHED PÅ ARBEJDSSTEDET

- Sørg for, at arbejdsområdet er rent og ryddeligt. Uorden og uoplyste arbejdsområder øger faren for uheld.
- Brug ikke maskinen i eksplosionsstruede omgivelser, hvor der er brændbare væsker, gasser eller støv. El-værktøj kan slå gnister, der kan antænde støv eller dampe.
- Sørg for, at andre personer og ikke mindst børn holdes væk fra arbejdsområdet, når maskinen er i brug. Hvis man distraheres, kan man miste kontrollen over maskinen.

## ELEKTRISK SIKKERHED

- Maskinens stik skal passe til kontakten. Stikket må under ingen omstændigheder ændres. Brug ikke adapterstik sammen med jordforbundne maskiner. Uændrede stik, der passer til kontakterne, nedsætter risikoen for elektrisk stød.
- Undgå kropskontakt med jordforbundne overflader som f.eks. rør, radiatorer, komfurer og køleskabe. Hvis din krop er jordforbundet, øges risikoen for elektrisk stød.
- Maskinen må ikke udsættes for regn eller fugt. Indtrængning af vand i maskinen øger risikoen for elektrisk stød.
- Brug ikke kablet til formål, den ikke er beregnet til (f.eks. må man aldrig bære maskinen i kablet, hænge maskinen op i kablet eller rykke i kablet for at trække stikket ud af kontakten). Beskyt kablet mod varme, olie, skarpe kanter eller maskindele, der er i bevægelse. Beskadigede eller indviklede kabler øger risikoen for elektrisk stød.
- Når der arbejdes med el-værktøj udendørs, skal der bruges en forlængerledning, som er beregnet til udendørs brug. Brug af forlængerledning til udendørs brug nedsætter risikoen for elektrisk stød.
- Hvis det ikke kan undgås at bruge maskinen i fugtige omgivelser, skal der bruges et HFI-relæ. Brug af et HFI-relæ reducerer risikoen for at få elektrisk stød.

## PERSONLIG SIKKERHED

- Det er vigtigt at være opmærksom, se, hvad man laver, og bruge maskinen fornuftigt. Man bør ikke bruge maskinen, hvis man er træt, har nydt alkohol eller er påvirket af medicin eller euforiserende stoffer. Få sekundær opmærksomhed ved brug af maskinen kan føre til alvorlige personskader.
- Brug beskyttelsesudstyr, og hav altid beskyttelsesbriller på. Brug af beskyttelsesudstyr, f.eks. støvmaske og skridsikert fodtøj, (afhængigt af el-værktøjets type og anvendelsesområde) reducerer risikoen for kvæstelser.
- Undgå utilsigtet igangsætning. Kontrollér altid, at el-værktøjet er slukket, før stikket sættes i. Undgå at bære maskinen med fingeren på afbryderen og sørg for, at maskinen ikke er tændt, når den sluttes til nettet, da dette øger risikoen for personskader.
- Fjern indstillingsværktøj eller skruenøgler, inden maskinen tændes. Hvis et stykke værktøj eller en nøgle sidder i en roterende maskindel, er der risiko for personskader.

- e. Overvurdér ikke dig selv. Sørg for at stå sikkert, mens der arbejdes, og kom ikke ud af balance. *Det er derved nemmere at kontrollere maskinen, hvis der skulle opstå uventede situationer.*
- f. Brug egnet arbejdstøj. Undgå løse beklædningsgenstande eller smykker. Hold hår, tøj og handsker væk fra dele, der bevæger sig. *Dele, der er i bevægelse, kan gribe fat i løstsiddende tøj, smykker eller langt hår.*
- g. Hvis støvudsugnings- og opsamlingsudstyr kan monteres, er det vigtigt, at dette tilsluttes og benyttes korrekt. *Brug af dette udstyr nedsætter risikoen for personskader som følge af støv.*

## OMHYGGELIG BRUG OG HÅNDTERING AF EL-VÆRKTØJ

- a. Overbelast ikke maskinen. Brug altid en maskine, der er beregnet til det stykke arbejde, der skal udføres. *Med den rigtige maskine arbejder man bedst og mest sikkert inden for det angivne effektområde.*
- b. Brug ikke en maskine, hvis afbryder er defekt. *En maskine, der ikke kan startes og stoppes, er farlig og skal repareres.*
- c. Dra stickproppen ur væguttaget och/eller ta bort batteriet innan inställningar utförs, tillbehörsdelar byts ut eller elverktyget lagras. *Denna skyddsåtgärd förhindrar oavsiktlig inkoppling av elverktyget.*
- d. Opbevar ubenyttet el-værktøj uden for børns rækkevidde. Lad aldrig personer, der ikke er fortrolige med maskinen eller ikke har gennemlæst disse instrukser, benytte maskinen. *El-værktøj er farligt, hvis det benyttes af ukyndige personer.*
- e. Maskinen bør vedligeholdes omhyggeligt. Kontrollér om bevægelige dele fungerer korrekt og ikke sidder fast, og om delene er brækket eller beskadiget, således at maskinens funktion påvirkes. Få beskadigede dele repareret, inden maskinen tages i brug. *Mange uheld skyldes dårligt vedligeholdte maskiner.*
- f. Sørg for, at skæreværktøjer er skarpe og rene. *Omhyggeligt vedligeholdte skæreværktøjer med skarpe skærekanter sætter sig ikke så hurtigt fast og er nemmere at føre.*
- g. Brug el-værktøj, tilbehør, indsatsværktøj osv. iht. disse instrukser, og sådan som det kræves for denne specielle værktøjstype. Tag hensyn til arbejdsforholdene og det arbejde, der skal udføres. *I tilfælde af anvendelse af værktøjet til formål, som ligger uden for det fastsatte anvendelsesområde, kan der opstå farlige situationer.*

## ANVENDELSE OG VEDLIGEHOLDELSE AF BATTERIDREVET VÆRKTØJ

- a. Elværktøjet må kun genoplades med den oplader, som producenten har specificeret. *Hvis en oplader, der passer til en bestemt type batterier, bruges sammen med en anden batteritype, kan det medføre risiko for brand.*
- b. Brug kun elværktøjet sammen med de specifikt angivne batterier. *Det øger risikoen for ulykker og brand, hvis der bruges andre batterier.*
- c. Når batteriet ikke er i brug, må det ikke opbevares i nærheden af mindre metalobjekter som papirclips, mønter, nøgler, søm eller skruer, der kan skabe forbindelse mellem batteripolerne. *Hvis batteriet kortsluttes, kan det medføre brandsår eller fare for brand.*

- d. Hvis batteriet ikke behandles korrekt, kan der sive væske ud fra det. Undgå at komme i berøring med væsken. Hvis du ved et uheld kommer i kontakt med væsken, skal du skylle med vand. Hvis du får væsken i øjnene, skal du også søge lægehjælp. *Lækkende batterivæske kan forårsage irritation eller ætse.*

## SERVICE

- a. Sørg for, at maskinen kun repareres af kvalificerede fagfolk, og at der kun benyttes originale reservedele. *Dermed sikres størst mulig maskinsikkerhed.*

## SIKKERHEDSINSTRUKSER FOR ALLE ARBEJDE

### FÆLLES ADVARSELSHENVISNINGER TIL SLIBNING, SANDPAPIRSLIBNING, ARBEJDE MED TRÅDBØRSTER, POLERING OG SKÆREARBEJDE

- a. Dette el-værktøj kan anvendes som sliber, sandpapiersliver, trådbørste, poleringsmaskine og skæremaskine. Læs og overhold alle advarsler, instruktioner, illustrationer og data, som du modtager i forbindelse med el-værktøjet. *Overholder du ikke følgende instruktioner, kan du få elektrisk stød, der kan opstå brand og /eller du kan blive kvæstet alvorligt.*
- b. Anvend kun tilbehør, hvis det er beregnet til dette el-værktøj og anbefalet af fabrikanten. *En mulig fastgørelse af tilbehøret til el-værktøjet sikrer ikke en sikker anvendelse.*
- c. Den tilladte hastighed for indsatsværktøjet skal mindst være så høj som den max. hastighed, der er angivet på el-værktøjet. *Tilbehør, der drejer hurtigere end tilladt, kan blive ødelagt.*
- d. Indsatsværktøjets udvendige diameter og tykkelse skal svare til målene på dit el-værktøj. *Forkert målte indsatsværktøjer kan ikke afskærmes eller kontrolleres tilstrækkeligt.*
- e. Slibeskiver, flanger, slibebagskiver eller andet tilbehør skal passe nøjagtigt til slibespindlen på dit el-værktøj. *Indsatsværktøj, der ikke passer nøjagtigt på el-værktøjets slibespindel, drejer ujævnt, vibrerer meget stærkt og kan medføre, at man taber kontrollen.*
- f. Brug ikke el-værktøjet, hvis det er beskadiget. Kontrollér altid før brug indsatsværktøj som f.eks. slibeskiver for afsplintninger og revner, slibebagskiver for revner, slid eller stærkt slid, trådbørster for løse eller brækkede tråde. *Tabes el-værktøjet eller indsatsværktøjet på jorden, skal du kontrollere, om det er beskadiget; anvend evt. et ubeskadiget indsatsværktøj. Når indsatsværktøjet er kontrolleret og indsat, skal du holde dig selv og personer, der befinder sig i nærheden, uden for det niveau, hvor indsatsværktøjet roterer, og lad el-værktøjet køre i et minut ved højeste hastighed. *Beskadiget indsatsværktøj brækker for det meste i denne testid.**

- g. **Brug personligt beskyttelsesudstyr.** Brug helmaske til ansigtet, øjenværn eller beskyttelsesbriller, afhængigt af det udførte arbejde. Brug afhængigt af arbejdets art støvmaske, høreværn, beskyttelseshandsker eller specialforklæde, der beskytter dig mod små slibe- og materialepartikler. *Øjenene skal beskyttes mod fremmede genstande, der flyver rundt i luften og som opstår i forbindelse med forskelligt arbejde. Støv- eller åndedrætsmaske skal filtrere det støv, der opstår under arbejdet. Udsættes du for høj støj i længere tid, kan du lide høretab.*
- h. **Sørg for tilstrækkelig afstand til andre personer under arbejdet.** Enhver, der betrager arbejdsområdet, skal bruge personligt beskyttelsesudstyr. *Brudstykker fra emnet eller brækkede indsatsværktøjer kan flyve væk og føre til kvæstelser også uden for det direkte arbejdsområde.*
- i. **Hold altid kun el-værktøjet i de isolerede gribeblader, når du udfører arbejde, hvor indsatsværktøjet kan ramme bøjede strømledninger eller værktøjets eget kabel.** *Kontakt med en spændingsførende ledning sætter også metaldele under spænding, hvilket fører til elektrisk stød.*
- j. **Hold netkablet væk fra roterende indsatsværktøj.** *Taber du kontrollen over el-værktøjet, kan netkablet skæres over eller rammes, og din hånd eller din arm kan trækkes ind i det roterende indsatsværktøj.*
- k. **Læg aldrig el-værktøjet til side, før indsatsværktøjet står helt stille.** *Det roterende indsatsværktøj kan komme i kontakt med fralægningsfladen, hvorved du kan tabe kontrollen over el-værktøjet.*
- l. **Lad ikke el-værktøjet køre, mens det bæres.** *Dit tøj kan blive fanget ved en tilfældig kontakt med det roterende indsatsværktøj, hvorved indsatsværktøjet kan bore sig ind i din krop.*
- m. **Rengør ventilationsåbningerne på dit el-værktøj med regelmæssige mellemrum.** *Motoren trækker støv ind i huset, og store mængder metalstøv kan være farligt rent elektrisk.*
- n. **Brug ikke el-værktøjet i nærheden af brændbare materialer.** *Gnister kan sætte ild i materialer.*
- o. **Brug ikke indsatsværktøj, der transporterer flydende kølemiddel.** *Brug af vand eller andre flydende kølemidler kan føre til elektrisk stød.*
- a. **Hold godt fast i el-værktøjet og sørg for at både krop og arme befinder sig i en position, der kan klare tilbageslagskræfterne.** *Anvend altid ekstrahåndtaget, hvis et sådant findes, for at have så meget kontrol som muligt over tilbageslagskræfterne eller reaktionsmomenterne, når maskinen kører op i hastighed. Betjeningspersonen kan beherske tilbageslags- og reaktionskræfterne med egnede forsigtighedsforanstaltninger.*
- b. **Sørg for at din hånd aldrig kommer i nærheden af det roterende tilbehør.** *Tilbehøret kan bevæge sig hen over din hånd i forbindelse med et tilbageslag.*
- c. **Undgå at din krop befinder sig i det område, hvor el-værktøjet bevæger sig i forbindelse med et tilbageslag.** *Tilbageslaget driver el-værktøjet i modsat retning af slibeskivens bevægelse på blokeringsstedet.*
- d. **Arbejd særlig forsigtig i områder som f.eks. hjørner, skarpe kanter osv. Undgå, at tilbehøret slår tilbage fra arbejdsområdet og sætter sig fast.** *Det roterende tilbehør har tendens til at sætte sig fast, når det anvendes i hjørner, skarpe kanter eller hvis det springer tilbage. Dette medfører tab af kontrol over tilbageslag.*
- e. **Brug ikke kædesavklinger eller tandede savklinger.** *Sådant indsatsværktøj fører hyppigt til tilbageslag eller til at man taber kontrollen over el-værktøjet.*

---

## SÆRLIGE ADVARSELSHENVISNINGER TIL SLIBNING OG SKÆREARBEJDE

---

- a. **Brug udelukkende slibeskiver/slibestifter, der er godkendt til dit el-værktøj, og den beskyttelsesskærm, der er beregnet til disse slibeskiver/slibestifter.** *Slibeskiver/ slibestifter, der ikke er beregnet til el-værktøjet, kan ikke beskyttes tilstrækkeligt og er usikre.*
- b. **Slibeskiver/slibestifter må kun anvendes til de anbefalede formål.** *F.eks.: Slib aldrig med sidefladen på en skæreskive. Skæreskiver er bestemt til materiaalslibning med kanten på skiven. Udsættes disse slibeskiver/slibestifter for sidevendt kraftpåvirkning, kan de ødelægges.*
- c. **Anvend altid ubeskadigede spændeflanger i den rigtige størrelse og form, der passer til den valgte slibeskive.** *Egnede flanger støtter slibeskiven og forringer således faren for brud på slibeskiven. Flanger til skæreskiver kan være forskellige fra flanger for andre slibeskiver.*
- d. **Brug ikke slidte slibeskiver, der passer til større el-værktøj.** *Slibeskiver til større el-værktøj kan brække, da de ikke er egnede til de højere omdrejningstal, som småt el-værktøj arbejder med.*

---

## YDERLIGERE SÆRLIGE ADVARSELSHENVISNINGER TIL SKÆREARBEJDE

---

- a. **Undgå at skæreskiven blokerer eller får for højt modtryk.** *Foretag ikke meget dybe snit. Overbelastning skæreskiven, øges skivens belastning og der er større tendens til, at skiven kan sætte sig i klemme eller blokere, hvilket igen kan føre til tilbageslag eller brud på slibeskiven/ slibestiften.*

---

## TILBAGESLAG OG TILSVARENDE ADVARSLER

---

Tilbageslag er en pludselig reaktion, som skyldes, at et roterende tilbehør (slibemaskine, slibebagskive, trådbørste osv.) har sat sig fast eller blokerer. Fastsættelse eller blokering fører til et pludseligt stop af det roterende tilbehør. Derved accelererer et ukontrolleret el-værktøj mod tilbehørets drejeretning på blokeringsstedet. Sidder f.eks. en slibeskive fast eller blokerer i et arbejdsområde, kan kanten på slibeskiven, der dykker ned i arbejdsområdet, blive siddende, hvorved slibeskiven brækker af eller fører til et tilbageslag. Slibeskiven bevæger sig så hen imod eller væk fra betjeningspersonen, afhængigt af skivens drejeretning på blokeringsstedet. I denne forbindelse kan slibeskiver også brække. Et tilbageslag skyldes forkert eller fejlbetjent brug af el-værktøjet. Det kan forhindres ved at træffe egnede forsigtighedsforanstaltninger, der beskrives i det følgende.

- b. Undgå området for og bag ved den roterende skæreskive. *Bevæger du skæreskiven i emnet væk fra dig selv, kan el-værktøjets roterende skive slynges direkte ind mod dig i tilfælde af et tilbageslag.*
- c. Sidder skæreskiven i klemme eller afbryder du arbejdet, slukkes el-værktøjet og maskinen holdes roligt, til skiven er stoppet. Forsøg aldrig at trække skæreskiven ud af snittet, mens den roterer, da dette kan føre til et tilbageslag. *Lokalisér og afhjælp fejlen.*
- d. Tænd ikke for el-værktøjet, så længe det befinder sig i arbejdsemnet. Sørg for at skæreskiven når op på sit fulde omdrejningstal, før du forsigtigt fortsætter snittet. *Ellers kan skiven sætte sig i klemme, springe ud af arbejdsemnet eller forårsage et tilbageslag.*
- e. Understøt plader eller store arbejdsemner for at reducere risikoen for et tilbageslag som følge af en fastklemt skæreskive. *Store arbejdsemner kan bøje sig under deres egen vægt. Arbejdsemnet skal støttes på begge sider, både i nærheden af skæresnittet og ved kanten.*
- f. Vær særlig forsigtig ved „lommensnit“ i bestående vægge eller andre områder, hvor man ikke har direkte indblik. *Den neddykkende skæreskive kan forårsage et tilbageslag, når der skæres i gas- eller vandledninger, elektriske kabler eller andre genstande.*

## SÆRLIGE ADVARSELHENVISNINGER TIL SANDPAPIRSLIBNING

- a. Brug ikke overdimensioneret sandpapir på slibeskiven. Anvend ikke overdimensioneret slibepapir, men læs og overhold fabrikantens forskrifter mht. slibepapirets størrelse. *Slibepapirer, der rager ud over slibebagskiven, kan føre til kvæstelser eller blokering eller iturivning af slibepapirerne eller til tilbageslag.*

## SÆRLIGE ADVARSELHENVISNINGER I FORBINDELSE MED POLERING

- a. Undgå løse dele på poleringshætten, især fastgørelsessnore. Afkort fastgørelsessnorene eller gem dem væk. *Løse, meddrejende fastgørelsessnore kan gribe fat i dine fingre eller sætte sig fast i arbejdsemnet.*

## SÆRLIGE ADVARSELHENVISNINGER I FORBINDELSE MED ARBEJDE MED TRÅDBØRSTER

- a. Vær opmærksom på, at trådbørsten også taber trådstykker under almindelig brug. *Overbelast ikke trådene med et for stort tryk. Flyvende trådstykker kan meget hurtigt trænge ind under tyndt tøj og/eller huden.*
- b. Anbefales det at bruge en beskyttelsesskærm, skal du forhindre, at beskyttelsesskærm og trådbørste kan berøre hinanden. *Tallerken- og kopbørster kan øge deres diameter som følge af tryk og centrifugalkraft.*
- c. Overskrid ikke 15000 min<sup>-1</sup>, når der arbejdes med trådbørster.



**ADVARSEL**

Arbejd ikke med asbestholdige materialer (asbest kan fremkalde kræft)



**ADVARSEL**

De nødvendige sikkerhedsforanstaltninger skal følges, da der kan frembringes støv under arbejdet, som kan være sundhedsskadeligt, brandfarligt eller eksplosivt (visse typer kan være kræftfremkaldende). Brug en støvmaske og et støv/spånudkast, hvis dette kan kobles til.

## MILJØ

### BORTSKAFFELSE

El-værktøj, tilbehør og emballage skal genbruges på en miljørigtig måde.

### KUN LANDE INDEN FOR EU



Smid ikke el-værktøj ud sammen med det almindelige husholdningsaffald!

Iht. det europæiske direktiv 2002/96/EF om affald af elektrisk og elektronisk udstyr skal kasseret elektrisk udstyr indsamles separat og genbruges iht. gældende miljøforskrifter.

## SPECIFIKATIONER

### GENERELLE SPECIFIKATIONER

Nominal spænding . . . . . 7,2 V  
 Mærkestrøm . . . . . 0,7 Ah  
 Omdrejningstal, ubelastet . . . . . n<sub>0</sub> 10000/20000 min<sup>-1</sup>  
 Patronens kapacitet . . . . . 0,8 mm, 1,6 mm, 2,4 mm, 3,2 mm

### FORLÆNGERLEDNINGER

Brug altid kun sikre forlængerledninger med en kapacitet på 5 ampere, og rul dem helt ud.

## SAMLING

SLÅ ALTID ELVÆRKTØJET FRA FØR UDSKIFTNING AF TILBEHØR ELLER SPÆNDEPATRONER ELLER FØR EFTERSYN AF VÆRKTØJET.

### GENERELT

Dremels multiværktøj er et førsteklases præcisionsværktøj, som kan anvendes til detaljerede og krævende opgaver. Dette omfatter eksempelvis slibning, udskæring og gravering, fræsning, rengøring og polering. BILLEDE 1

#### BILLEDE 2

- A. Spændemøtrik  
 B. Spændepatron  
 C. Dæksel til hus  
 D. Knap til aksellås  
 E. Greb



- F. Ventilationsåbninger
- G. Tænd/slukkontakt og hastighedskontrol
- H. Frigøringsknap
- I. Batteri
- J. Oplader

---

## OPLADNING AF VÆRKTØJET

---

Det trådløse rotationsværktøj er ikke helt opladet. Værktøjet er udstyret med et udskifteligt batteri. Sørg for at oplade batteriet før første ibrugtagning.

Sådan oplades værktøjet:

1. Sæt kontakten på "OFF". BILLEDE 2
2. Tryk på knapperne på begge sider af batteriet, og tag batteriet af fra bagsiden af værktøjet. BILLEDE 2
3. Juster den udvendige form af batteriet i forhold til den udvendige form af laderen (pile på batteriet vil pege på pilene på laderen), tryk på frigøringsknapperne, indsæt batteriet i laderen, og slip knapperne, så batteriet går i indgreb.
4. Slut laderen til stikkontakten. Den grønne lysdiode angiver, at oplader er sluttet til elnettet, og batteriet oplades. Under normal brug tager det sædvanligvis 3 timer at oplade batteriet til fuld kapacitet. Når opladningen er gennemført, slukkes dioden på opladeren.
5. Når opladningen er gennemført, skal du trykke på frigøringsknapperne på batteriet og fjerne det fra laderen.
6. Juster den udvendige form af batteriet i forhold til den udvendige form af værktøjskabinettet. Tryk på frigøringsknapperne, indsæt batteriet bag i værktøjet, og slip knapperne, så batteriet går i indgreb.

---

## VIGTIGT I FORBINDELSE MED OPLADNING

---

1. Batteriet opnår kun ca. 80 % af dets maksimale kapacitet ved de første opladninger. Efter de første opladninger vil batteriet dog opnå den fulde kapacitet.
2. Opladeren er udviklet med henblik på hurtig opladning af batteriet, forudsat at batteritemperaturen ligger mellem 4° C og 41° C.
3. Et markant fald i driftstiden pr. opladning betyder, at batteriet snart er udtjent og skal udskiftes.

**BEMÆRK:** Ved brug af opladere eller batterier, som ikke sælges af Dremel, kan garantien bortfalde.

---

## SPÆNDEPATRONER

---

Dremel tilbehøret til multiværktøjet fås med forskellige skafstdørrelser. Spændepatronerne fås i fire størrelser, der passer til de forskellige skafstdiameter. Spændepatronsstørrelserne kan identificeres ved hjælp af ringene bag på spændepatronen.

### BILLEDE 3

- L. 3,2 mm spændepatron uden ring
- M. 2,4 mm spændepatron med tre ringe
- N. 1,6 mm spændepatron med to ringe
- O. 0,8 mm spændepatron med én ring

Brug altid den spændepatron, som svarer til størrelsen på skaffet for det tilbehør, der skal bruges. Forsøg ikke at presse et værktøj med en større skafstdiameter ned i en mindre spændepatron.

---

## UDSKIFTNING AF SPÆNDEPATRONER

---

### BILLEDE 4

- P. Knap til aksellås
- Q. Spændenøgle
- R. Spænde
- S. Løsne
- T. Spændemøtrik

1. Tryk på knappen til aksellåsen, hold den nede, og drej skaffet med hånden, indtil knappen går i indgreb på akslen. *Bring ikke knappen til aksellåsen i indgreb, når multiværktøjet kører.*
2. Bring knappen til aksellåsen i indgreb, og løsn og fjern spændemøtrikken. Brug om nødvendigt spændenøglen.
3. Fjern spændepatronen ved at trække den fri af skaffet.
4. Monter spændepatronen med den korrekte størrelse på skaffet, genmonter spændemøtrikken, og spænd den til med fingrene. Spænd ikke møtrikken helt, så længe der ikke er isat en bit eller et tilbehør.

---

## UDSKIFTNING AF TILBEHØR

---

### BILLEDE 4

- P. Knap til aksellås

1. Tryk på knappen til aksellåsen, og drej skaffet med hånden, indtil knaplåsen går i indgreb. *Bring ikke knappen til aksellåsen i indgreb, når multiværktøjet kører.*
2. Bring knappen til aksellåsen i indgreb, og løsn (men fjern ikke) spændemøtrikken. Brug om nødvendigt spændenøglen.
3. Skub bitten eller tilbehørsskaffet helt ind i spændepatronen.
4. Bring knappen til aksellåsen i indgreb, og spænd spændemøtrikken til med fingrene, indtil spændepatronen har fat om bitten eller tilbehørets skaft. Brug spændenøglen til at fastgøre bitten eller tilbehøret i spændepatronen.

**BEMÆRK!** Husk at læse den vejledning, der følger med dit Dremel tilbehør, for at få yderligere oplysninger om brugen af dette.

Anvend kun højtydende tilbehør testet af Dremel.

---

## INTRODUKTION

---

### BRUG

---

Første trin i brugen af multiværktøjet er at få "føling" med værktøjet. Hold det i hænderne, og mærk dets vægt og balance. Mærk kabinettets konusform. Konusformen gør det meget lettere at tage fat i værktøjet, som var det en kuglepen eller en blyant. Værktøjets enestående udformning (softgrip) giver ekstra komfort og kontrol over værktøjet ved brug.

*Hold altid værktøjet, så det vender væk fra ansigtet. Tilbehør kan blive beskadiget ved håndtering og kan slynges væk i flere stykker, når hastigheden øges.*

Værktøjet skal holdes, så du ikke blokerer luftåbningerne med hånden. Hvis luftåbningerne blokeres, kan motoren blive overophedet.

VIGTIGT! Afprøv værktøjet på affaldsmaterialer først for at lære, hvordan værktøjet arbejder med høj hastighed. Husk, at multiværktøjets ydelse er optimal, når hastigheden i samarbejde med det rette Dremel tilbehør og de rette Dremel forsætter gør arbejdet for dig. Værktøjet skal så vidt muligt trykkes ind mod emnet ved brug. Du skal i stedet sænke det roterende tilbehør en smule i forhold til emnets overflade og give det mulighed for at berøre det punkt, hvor du vil begynde. Koncentrér dig om at føre værktøjet hen over emnet uden at trykke ret meget med hånden. Lad tilbehøret gøre arbejdet.

Det vil normalt være bedre at køre værktøjet hen over emnet flere gange end at gøre hele arbejdet i én arbejdsgang. Et let greb giver optimal kontrol og mindsker risikoen for fejl.

Den bedste kontrol ved fint arbejde opnår du ved at holde multiværktøjet som en blyant mellem tommel- og pegefingre.

BILLEDE 6

"Golf-grebet" anvendes til grovere arbejde, f.eks. slibning eller skæring. BILLEDE 7

---

## DRIFTHASTIGHEDER

---

Dette multiværktøj arbejder ved høj hastighed. Hastigheden kan indstilles fra 10000 til 20000 min<sup>-1</sup>. Slutresultatet bliver bedre, hvis hastigheden indstilles, så den passer til opgaven. Det giver det bedste resultat ved arbejde ved forskellige materialer at indstille hastighedskontrollen, så hastigheden passer til opgaven. Det er lettere at vælge den rigtige hastighed til tilbehøret, hvis man forsøger sig med et stykke affaldsmateriale først. Kontaktindstillingerne til multiværktøjet 7,2V Ni-Cd er markeret på hastighedskontrollen.

Værktøjet kan klare de fleste opgaver, når det er indstillet til højeste hastighed. Nogle materialer (f.eks. nogle typer plast og metal) kan dog blive beskadiget på grund af den varme, der opstår ved højhastighedsbearbejdning, og de bør derfor bearbejdes ved relativt lav hastighed. Lav hastighed (15000 min<sup>-1</sup> eller lavere) er normalt at foretrække ved polering, hvor poleringsudstyret af filt anvendes. Al bearbejdning med børster bør udføres ved lav hastighed for at undgå, at børstetråde frigøres fra holderen. Lad værktøjet gøre arbejdet for dig, når du arbejder med lav hastighed. Højere hastighed er bedre egnet til bearbejdning af hårde træsorter, metal og glas samt til boring, udskæring, skæring, fræsning, formning og udskæring af friser eller falseopgaver i træ. Indstillingerne giver ca. de følgende omdrejningshastigheder:

Et par retningslinjer for indstilling af værktøjshastigheden:

- Plast og andre materialer, der smelter ved lave temperaturer, skal skæres med lav hastighed.
- Polering, højglanspolering og rengøring med stålborste skal foretages med en hastighed, der er under 15000 min<sup>-1</sup> for at undgå at beskadige børsten og materialet, der bearbejdes.
- Træ skal skæres ved høj hastighed.
- Jern og stål skal skæres med høj hastighed.
- Hvis et skærende højhastighedsværktøj begynder at vibrere ved bearbejdning af stål, er det normalt et tegn på, at hastigheden er for lav.

- Aluminium, kobberlegeringer, blylegeringer, zinklegeringer og tin kan skæres ved forskellige hastigheder afhængigt af den konkrete skæringsmetode. Anvend paraffin (ikke vand) eller et andet velegnet smøremiddel på klingens for at undgå, at materialet hænger fast på værktøjets skær.

*BEMÆRK: Det hjælper ikke at presse værktøjet ind mod emnet, når værktøjet ikke kører korrekt. Prøv i stedet at skifte tilbehør eller arbejds-hastighed for at opnå det ønskede resultat.*

---

## VEDLIGEHOLDELSE

---

*Forebyggende vedligeholdelse udført af uautoriserede personer indebærer en risiko for ombytning af indvendige ledere og komponenter, hvilket kan være farligt. Vi anbefaler, at al service på værktøjet udføres af et Dremel serviceværksted. Slå altid elværktøjet fra, før reparation eller rengøring af værktøjet påbegyndes, da der ellers er risiko for personskader som følge af elektrisk stød eller for, at værktøjet starter uventet.*

---

## RENGØRING AF VÆRKTØJET

---

SLÅ VÆRKTØJET FRA FØR RENGØRING

Luftåbninger og kontakter skal holdes rene og fri for fremmedlegemer. Forsøg ikke at rengøre værktøjet ved at stikke spidse værktøjer ind gennem åbninger.

*Værktøjet kan rengøres med trykluft. Anvend altid sikkerhedsbriller, når du rengør værktøj med trykluft.*

Multiværktøjet fra Dremel behøver ikke at blive smurt.

*Visse rengørings- og opløsningsmidler ødelægger plastdele. Nogle af disse er: benzin, tetrachlorkulstof, kloreret rensmiddel, ammoniak og husholdningsrensninger, der indeholder ammoniak.*

Rengør gribefladerne på værktøjet med en fugtig klud. Hvis der er områder, der er mere beskidte, kan det være nødvendigt at aftøre dem flere gange for at få dem rene.

---

## SERVICE OG GARANTI

---

Dette DREMEL produkt er dækket af garanti, som det er foreskrevet af de gældende lokale love og bestemmelser. Garantien dækker dog ikke skader som følge af normal slitage, overbelastning eller forkert håndtering af værktøjet.

I tilfælde af reklamation skal værktøjet sendes *samlet (ikke adskilt)* til forhandleren sammen med købsbeviset.

---

## KONTAKT DREMEL

---

Du kan få mere information om Dremels udvalg, support og hotline på [www.dremel.com](http://www.dremel.com).

Dremel Europe, P.O. Box 3267, 4800 DG Breda, Holland

# ÖVERSÄTTNING AV ORIGINALINSTRUKTIONER

## ANVÄNDA SYMBOLER



LÄS DESSA INSTRUKTIONER



ANVÄND HÖRSELSKYDD



ANVÄND ÖGONSKYDD



ANVÄND ANDNINGSSKYDD

## ALLMÄNNA SÄKERHETSFORESKRIFTER FÖR ELVERKTYG



**⚠ VARNING** LÄS ALLA SÄKERHETSFORESKRIFTER OCH ANVISNINGAR.

Underlåtenhet att följa föreskrifterna och anvisningarna kan leda till elstöt, brand och/eller allvarliga personskador.

**Spara föreskrifterna och anvisningarna för framtida bruk.**

Begreppet "elverktyg" i föreskrifterna syftar på nätdrivna elverktyg (med nätsladd) eller batteridrivna elverktyg (sladdlösa).

## SÄKERHET PÅ ARBETSPLATSEN

- Ren och välbelyst.** Ordning på arbetsplatsen och dåligt belyst arbetsområde kan leda till olyckor.
- Använd inte elverktuget i explosionsfarlig omgivning med brännbara vätskor, gaser eller damm.** Elektriska verktyg avger gnistor som kan antända damm eller gas.
- Håll under arbetet med elverktuget barn och obehöriga personer på betryggande avstånd.** Risken för olyckor ökar om du förlorar koncentrationen när du arbetar.

## ELEKTRISK SÄKERHET

- Elverktugets stickpropp måste passa till vägguttaget. Stickproppen får absolut inte ändras. Använd inte adapterkontakter tillsammans med skyddsjordade elverktyg. Oförändrade stickproppar och passande vägguttag reducerar risken för elstöt.
- Undvik kroppskontakt med jordade ytor som t. ex. rör, värmelement, spisar och kylskåp. Det finns en större risk för elstöt om din kropp är jordad.
- Skydda elverktuget mot regn och väta. Tränger vatten in i ett elverktyg ökar risken för elstöt.
- Missbruka inte nätsladden och använd den inte för att bära eller hänga upp elverktuget och inte heller för att dra stickproppen ur vägguttaget. Håll nätsladden

på avstånd från värme, olja, skarpa kanter och rörliga maskindelar. Skadade eller tilltrasslade ledningar ökar risken för elstöt.

- Använd en förlängnings-sladd godkänd för utomhusbruk när du arbetar med elverktyg utomhus. Om en lämplig förlängnings-sladd för utomhusbruk används minskar risken för elstöt.
- Använd en jordfelsbrytare om det inte är möjligt att undvika elverktugets användning i fuktig miljö. Genom att använda en jordfelsbrytare minskas risken för elstöt.

## PERSONSÄKERHET

- Var uppmärksam, kontrollera vad du gör och använd elverktuget med förnuft. Använd inte elverktuget när du är trött eller om du är påverkad av droger, alkohol eller mediciner. En ögonblicks uppmärksamhet när du arbetar med elverktyg kan orsaka allvarliga personskador.
- Bär alltid personlig skyddsutrustning och skyddsglasögon. Användning av personlig skyddsutrustning som t. ex. dammfiltermask, halkfria säkerhetsskor, skyddshjälm och hörselskydd reducerar alltefter elverktugets typ och användning risken för kroppsskada.
- Undvik oavsiktlig igångsättning. Kontrollera att elverktuget har kopplats från innan du ansluter stickproppen till vägguttaget. Om du bär elverktuget med fingret på strömställaren eller ansluter påkopplat elverktyg till nätströmmen kan olycka uppstå.
- Ta bort alla inställningsverktyg och skruvnycklar innan du kopplar på elverktuget. Ett verktyg eller en nyckel i en roterande komponent kan medföra kroppsskada.
- Luta eller sträck dig inte när du arbetar. Se till att du står stadigt och håller balansen. Då kan du lättare kontrollera elverktuget i oväntade situationer.
- Bär lämpliga arbetskläder. Bär inte löst hängande kläder eller smycken. Håll håret, kläderna och handskarna på avstånd från rörliga delar. Löst hängande kläder, långt hår och smycken kan dras in av roterande delar.
- Vid elverktyg med dammutslagnings- och -uppsamlingsutrustning kontrollera att anordningarna är rätt monterade och att de används på korrekt sätt. Dessa anordningar reducerar faroriskerna i samband med damm.

## KORREKT ANVÄNDNING OCH HANTERING AV ELVERKTYG

- Överbelasta inte elverktuget. Använd för aktuellt arbete avsett elverktyg. Med ett lämpligt elverktyg kan du arbeta bättre och säkrare inom angivet effektområde.
- Ett elverktyg med defekt strömställare får inte längre användas. Ett elverktyg som inte kan kopplas in eller ur är farligt och måste repareras.
- Dra stickproppen ur vägguttaget och/eller ta bort batteriet innan inställningar utförs, tillbehörskomponenter byts ut eller elverktuget lagras. Denna skyddsåtgärd förhindrar oavsiktlig start av elverktuget.
- Förvara elverktuget oåtkomliga för barn. Låt inte elverktuget användas av personer som inte är förtrogna med dess användning eller inte läst denna anvisning. Elverktuget är farliga om de används av oerfarna personer.

- e. Sköt elverktuget omsorgsfullt. Kontrollera att rörliga komponenter fungerar felfritt och inte kärvar, att komponenter inte brustit eller skadats; orsaker som kan leda till att elverktugets funktioner påverkas menligt. Låt skadade delar repareras innan elverktuget tas i bruk. *Många olyckor orsakas av dåligt skötta elverktyg.*
- f. Håll skärverktygen skarpa och rena. Omsorgsfullt skötta skärverktyg med skarpa eggar kommer inte så lätt i kläm och går lättare att styra.
- g. Använd elverktuget, tillbehör, insatsverktyg osv. enligt dessa anvisningar och på sätt som föreskrivits för aktuell verktygsmodell. Ta hänsyn till arbetsvillkoren och arbetsmomenten. *Används elverktuget på icke ändamålsenligt sätt kan farliga situationer uppstå.*
- b. Använd inte tillbehör som tillverkaren inte uttryckligen godkänt och rekommenderat för detta elverktyg. *Även om tillbehör kan fästas på elverktuget finns det ingen garanti för en säker användning.*
- c. *Insatsverktygets tillåtna varvtal måste åtminstone motsvara elverktugets angivna högsta varvtal. Tillbehör med en högre rotationshastighet kan förstöras.*
- d. *Insatsverktygets yttre diameter och tjocklek måste motsvara elverktugets dimensioner. Feldimensionerade insatsverktyg kan inte på betryggande sätt avskämmas och kontrolleras.*
- e. *Slipskivor, flänsar, sliprondeller och annat tillbehör måste passa exakt på elverktugets slippindel. Insatsverktyg som inte exakt passar till elverktugets slippindel roterar ojämnt, vibrerar kraftigt och kan leda till att kontrollen över verktyget går förlorat.*
- f. *Använd aldrig skadade insatsverktyg. Kontrollera före varje användning insatsverktygen som t.ex. slipskivor avseende splitterskador och sprickor, sliprondeller avseende sprickor, repor eller kraftig nedslitning, stålborstar avseende lösa eller brustna trådar. Om elverktuget eller insatsverktyget skulle falla ned kontrollera om skada uppstått eller montera ett oskadat insatsverktyg. Du och andra personer i närheten ska efter kontroll och montering av insatsverktyg stå utanför insatsverktygets rotationsradie; låt sedan elverktuget rotera en minut med högsta varvtal. Skadade insatsverktyg går i de flesta fall sönder vid denna provkörning.*

---

## ANVÄNDNING OCH SKÖTSEL AV BATTERIDRIVET VERKTYG

---

- a. Laddning får endast utföras med den batteriladdare som rekommenderas av tillverkaren. *Ladda batterier med en laddare som är avsedd för en annan batterityp kan medföra risk för brand.*
- b. Använd endast de batterier som är avsedda för elverktuget. *Användning av andra batterityper kan leda till risk för personskador eller brand.*
- c. När batteriet inte används ska det förvaras på avstånd från andra metallföremål som t.ex. gem, mynt, nycklar, spik, skruvar eller liknande som kan kortslua polerna. *Kortslutning av batteripolerna kan leda till brännskador eller brand.*
- d. Batterisyra kan läcka ut om batteriet utsätts för våld. Undvik kontakt! Skölj med vatten om du råkar få batterisyra på huden. Sök läkarvård vid kontakt med ögonen. *Batterisyra som läcker ut kan orsaka hudirritation eller frätskador.*
- g. Använd personlig skyddsutrustning. Använd alltefter avsett arbete ansiktsskärm, ögonskydd eller skyddsglasögon. Om så behövs använd dammfiltermask, hörselskydd, skyddshandskar eller skyddsförkläde som skyddar mot utslungade slip- och materialpartiklar. *Ögonen ska skyddas mot utslungade främmande partiklar som kan uppstå under arbetet. Damm- och andningskydd måste kunna filtrera bort det damm som eventuellt uppstår under arbetet. Risk finns för hörselskada under en längre tids kraftigt buller.*
- h. Se till att obehöriga personer hålls på betryggande avstånd från arbetsområdet. Alla som rör sig inom arbetsområdet måste använda personlig skyddsutrustning. *Brottsstycken från arbetsstycket eller insatsverktygen kan slungas ut och orsaka personskada även utanför arbetsområdet.*
- i. Håll fast elverktuget endast vid de isole-rade handtagen när arbetet utförs på ställen där insatsverktyget kan skada dolda elledningar eller egen nätsladd. *Om elverktuget kommer i kontakt med en spänningsförande ledning sätts elverktugets metalldelar under spänning som sedan leder till elstöt.*
- j. Håll nätsladden på avstånd från roterande insatsverktyg. *Om du förlorar kontrollen över elverktuget kan nätsladden kapas eller dras in varvid risk finns för att din hand eller arm dras mot det roterande insatsverktyget.*
- k. Lagg aldrig bort elverktuget innan insatsverktyget stannat fullständigt. *Det roterande insatsverktyget kan komma i beröring med underlaget varvid risk finns att du förlorar kontrollen över elverktuget.*

---

## SERVICE

---

- a. Låt en kvalificerad servicetekniker utföra service på elverktuget. Endast identiska reservdelar bör användas. *Det säkerställer att elverktuget fortsätter att fungera säkert.*

## SÄKERHETSANVISNINGAR FÖR ALLA ARBETEN

### GEMENSAMMA SÄKERHETSANVISNINGAR FÖR SLIPNING, SANDPAPPERSSLIPNING, ARBETEN MED STÅLBORSTE, POLERING OCH KAPSLIPNING

---

- a. Elverktuget kan användas som slip-, slippappersslip-, stålborste-, polerings- och kapslipmaskin. Beakta alla säkerhetsanvisningar, anvisningar, illustrationer och data som levereras med elverktuget. *Om nedanstående anvisningar ignoreras finns risk för att elstöt, brand och/eller allvarliga personskador uppstår.*
- j. Håll nätsladden på avstånd från roterande insatsverktyg. *Om du förlorar kontrollen över elverktuget kan nätsladden kapas eller dras in varvid risk finns för att din hand eller arm dras mot det roterande insatsverktyget.*
- k. Lagg aldrig bort elverktuget innan insatsverktyget stannat fullständigt. *Det roterande insatsverktyget kan komma i beröring med underlaget varvid risk finns att du förlorar kontrollen över elverktuget.*

- l. Elverktiget får inte rotera när det bärs. Kläder kan vid tillfällig kontakt med det roterande insatsverktiget dras in varvid insatsverktiget dras mot din kropp.**
- m. Rengör regelbundet elverktigets ventilationsöppningar. Motorfläkten drar in damm i huset och en kraftig anhopning av metalldamm kan orsaka farliga elströmmar.**
- n. Använd inte elverktiget i närheten av brännbara material. Risk finns för att gnistor antänder materialet.**
- o. Använd inte insatsverktyg som kräver flytande kylmedel. Vatten eller andra kylvätskor kan medföra elstöt.**
- b. Slipkroppar får användas endast för rekommenderade arbeten. Slipa t.ex. aldrig med kapskivans sidoyta. Kapskivor är avsedda för materialavverkning med skivans kant. Om tryck från sidan utövas mot slipkroppen kan den spricka.**
- c. För vald slipskiva ska alltid oskadade spännflansar i korrekt storlek och form användas. Lämpliga flansar stöder slipskivan och reducerar risken för slipskivsbrott. Flansar för kapskivor och andra slipskivor kan ha olika utseende och form.**
- d. Använd inte nedslitna slipskivor från större elverktyg. Slipskivor för större elverktyg är inte konstruerade för de mindre elverktigens högre varvtal och kan därför spricka.**

---

## VARNING FÖR BAKSLAG

---

Ett bakslag är en plötslig reaktion hos insatsverktiget när t. ex. slipskivan, slipprondellen, stålborsten hakar upp sig eller blockeras. Detta leder till abrupt uppbromsning av det roterande insatsverktiget. Härvid accelererar ett okontrollerat elverktyg mot insatsverktigets rotationsriktning vid inklämningsstället. Om t. ex. en slipskiva hakar upp sig eller blockeras i arbetsstycket kan slipskivans kant i arbetsstycket klämmas fast varvid slipskivan bryts sönder eller orsakar bakslag. Slipskivan rör sig nu mot eller bort från användaren beroende på skivans rotationsriktning vid inklämningsstället. Härvid kan slipskivan även brytas sönder. Bakslag uppstår till följd av missbruk eller felaktig hantering av elverktiget. Detta kan undvikas genom skyddsåtgärder som beskrivs nedan.

- a. Håll stadigt i elverktiget samt kroppen och armarna i ett läge som är lämpligt för att motstå bakslagskrafter. Använd alltid stödhandtaget för bästa möjliga kontroll av bakslagskrafter och reaktionsmoment vid start. Användaren kan genom lämpliga försiktighetsåtgärder bättre behärska bakslags- och reaktionskrafterna.**
- b. Håll alltid handen på betryggande avstånd från det roterande insatsverktiget. Insatsverktiget kan vid ett bakslag gå mot din hand.**
- c. Undvik att hålla kroppen inom det område elverktiget rör sig vid ett bakslag. Bakslaget kommer att driva elverktiget i motsatt riktning till slipskivans rörelse vid inklämningsstället.**
- d. Var särskilt försiktig vid bearbetning av hörn, skarpa kanter osv. Håll emot så att insatsverktiget inte studsar ut från arbetsstycket eller kommer i kläm. På hörn, skarpa kanter eller vid studsning tenderar det roterande insatsverktiget att komma i kläm. Detta kan leda till att kontrollen förloras eller att bakslag uppstår.**
- e. Använd aldrig kedje- eller tandade sågklingor. Dessa insatsverktyg orsakar ofta ett bakslag eller förlust av kontrollen över elverktiget.**

---

## SPECIELLA VARNINGAR FÖR SLIPNING OCH KAPSLIPNING

---

- a. Använd endast slipkroppar som godkännts för aktuellt elverktyg och de sprängskydd som är avsedda för dessa slipkroppar. Slipkroppar som inte är avsedda för aktuellt elverktyg kan inte på betryggande sätt skyddas och är därför farliga.**

---

## ANDRA SPECIELLA SÄKERHETSANVISNINGAR FÖR KAPSLIPNING

---

- a. Se till att kapskivan inte kommer i kläm och att den inte utsätts för högt mottryck. Försök inte skära för djupt. Om kapskivan överbelastas ökar dess påfrestning och risk finns för att den snedvrids eller blockerar som sedan kan resultera i bakslag eller slipkroppsbrott.**
- b. Undvik området framför och bakom den roterande kapskivan. Om du rör kapskivan i arbetsstycket bort från kroppen kan i händelse av ett bakslag elverktiget med roterande skiva slungas mot din kropp.**
- c. Om kapskivan kommer i kläm eller arbetet avbryts, koppla från elverktiget och håll det stilla tills skivan stannat fullständigt. Försök aldrig dra ut en roterande kapskiva ur skärspåret då detta kan leda till bakslag. Lokalisera och åtgärda orsaken för inklämning.**
- d. Koppla inte åter på elverktiget om det sitter i arbetsstycket. Låt kapskivan öppna fullt varvtal innan den försiktigt förs in i skärspåret för fortsatt kapning. I annat fall kan skivan haka upp sig, hoppa ur arbetsstycket eller orsaka bakslag.**
- e. För att reducera risken för ett bakslag till följd av inklämd kapskiva ska skivor och andra stora arbetsstycken stödas. Stora arbetsstycken kan råka böjas till följd av hög egenvikt. Arbetsstycket måste därför stödas på båda sidorna både i närheten av skärspåret och vid kanten.**
- f. Var speciellt försiktig vid "fickkapning" i dolda områden, t. ex. i en färdig vägg. Där risk finns att kapskivan kommer i kontakt med vattenledningar, elledningar eller andra föremål som kan orsaka bakslag.**

---

## SPECIELLA SÄKERHETSANVISNINGAR FÖR SANDPAPPERSSLIPNING

---

- a. Använd inte för stora slippapper. Använd inte för stora slippapper, se tillverkarens uppgifter om slippapperets storlek. Slippapper som står ut över slipprondellen kan leda till personskada, blockera, rivas sönder eller också orsaka bakslag.**

## SPECIELLA SÄKERHETSANVISNINGAR FÖR POLERING

- a. Se till att inga lösa delar finns på polerhättan, t. ex. fastspänningsband. Kläm in eller kapa fastspänningsbanden. roterande fastspänningsband kan gripa tag i dina fingrar eller dras in i arbetsstycket.

## SPECIELLA SÄKERHETSANVISNINGAR FÖR ARBETEN MED STÅLBORSTAR

- a. Observera att trådborstar även under normal användning förlorar trådbitar. Överbelasta inte stålborsten med för högt anslagsstryck. Utslungade trådbitar kan lätt tränga in genom kläder och/eller i huden.
- b. När sprängskydd används bör man se till att sprängskyddet och trådborsten inte berör varandra. Tallriks- och toppborstarnas diameter kan till följd av anslagsstryck och centrifugalkrafter bli större.
- c. Överstig inte 15000 varv/minut vid användning av stålborstar.

**VARNING** Asbesthaltigt material får inte bearbetas (asbest anses vara cancerframkallande).

**VARNING** Vidta skyddsåtgärder om risk finns för att hälsovådligt, brännbart eller explosivt damm uppstår under arbetet (vissa damm klassifi ceras som cancerframkallande ämnen); använd en dammfi ltermask och om möjligt damm-/spånutsugning.

## MILJÖ

### AVFALLSHANTERING

Elverktyg, tillbehör och förpackning ska omhändertas på miljövänligt sätt för återvinning.

### ENDAST FÖR EUROPA



Släng inte elverktyg i hushållsavfallet! Enligt europeiska direktivet 2002/96/EG för kasserade elektriska och elektroniska apparater och dess modifiering till nationell rätt måste obrukbara elverktyg omhändertas separat och på miljövänligt sätt lämnas in för återvinning.

## SPECIFIKATIONER

### ALLMÄNNA SPECIFIKATIONER

Spänning . . . . . 7,2 V  
Högsta strömstyrka . . . . . 0,7 Ah  
Varvtal obelastad . . . . .  $\Pi$  10000/20000 min<sup>-1</sup>  
Spännhylsekapacitet . . . . . 0,8 mm, 1,6 mm, 2,4 mm, 3,2 mm

## FÖRLÄNGNINGSSLADDAR

Använd helt uttrulade och säkra förlängningssladdar med en kapacitet på 5 A.

## MONTERING

STÅNG ALLTID AV VERKTYGET INNAN DU BYTER INSATSVERKTYG, BYTER SPÄNNHYLSOR ELLER UTFÖR SERVICE.

## ALLMÄNT

Dremel-multiverktyget är ett precisionsverktyg av hög kvalitet, som kan användas för detaljerade och komplicerade arbetsuppgifter. T.ex. sandpappersslipning, snide, gravyr, kapning, rengöring och polering. BILD 1

BILD 2

- A. Nosmutter
- B. Spännhylsa
- C. Spännhylskåpa
- D. Skafthåsknapp
- E. Grepp
- F. Ventilationsöppningar
- G. På-/avstängningsknapp och hastighetsratt
- H. Frigöringsknapp
- I. Batteri
- J. Laddare

## LADDA VERKTYGET

Det sladdlösa rotationsverktyget är inte helt laddat. Verktöget är utrustat med ett löstagbart batteripaket. Se till att ladda paketet innan det används första gången.

Så här laddar du verktyget:

1. Ställ strömställaren i positionen "OFF". BILD 2
2. Tryck på frikopplingsknapparna på båda sidor av batteripaketet och ta bort paketet från verktygets baksida. BILD 2
3. Passa ihop batteripaketet med laddaren så att pilarna på batteriet pekar mot de pilar som finns på laddaren, tryck på frikopplingsknapparna, för in batteripaketet i laddaren och släpp knapparna så att det låses fast i rätt läge.
4. Koppla laddaren till strömkällan. Den gröna lysdioden visar att anslutningen fungerar och att batteripaketet laddas. Vid normal användning måste verktyget laddas i 3 timmar för att komma upp i full kapacitet. När verktyget är färdigladdat slocknar lysdioden på laddaren.
5. När verktyget är färdigladdat, tryck på frikopplingsknapparna och ta bort batteripaketet från laddaren.
6. Passa ihop batteripaketet med verktygshöljet. Tryck på frikopplingsknapparna, för in batteripaketet i verktygets baksida och släpp knapparna så att det låses fast i rätt läge.

---

## VIKTIG INFO OM LADDNING

---

1. Batteripaketet kan bara laddas med cirka 80 % av sin maxkapacitet när det laddas de första gångerna. Efter de första laddningarna kommer batteriet att laddas till full kapacitet.
2. Laddaren är gjord för att snabbadda batteriet endast när batteriets temperatur är mellan 4 °C och 41 °C.
3. Om verktyget laddas ur efter onormalt kort tid kan det betyda att batteripaketet snart är förbrukat och bör ersättas.

*OBS: Om du använder laddare eller batteripaket som inte sålts av Dremel kan garantin upphöra att gälla.*

---

## SPÄNNHYLSOR

---

Multiverktygets Dremel-tillbehör har olika stora fästen. Det finns spännhylsor i fyra olika storlekar för att passa olika stora fästen. På spännhylsornas baksida finns ringar som anger dess storlek.

### BILD 3

- L. 3,2 mm spännhylsa utan ring
- M. 2,4 mm spännhylsa med tre ringar
- N. 1,6 mm spännhylsa med två ringar
- O. 0,8 mm spännhylsa med en ring

Använd alltid den spännhylsa som motsvarar storleken på fästet på det tillbehör du tänker använda. Tvinga aldrig in ett fäste med större diameter i en mindre spännhylsa.

---

## BYTA SPÄNNHYLSOR

---

### BILD 4

- P. Skaftlåsknapp
- Q. Chucknyckel
- R. Dra åt
- S. Lossa
- T. Nosmutter

1. Tryck på skaftlåsknappen, håll ner och vrid på skaftet för hand tills muttern fäster i skaftet. *Använd inte skaftlåsknappen när multiverktyget är igång.*
2. Skruva loss och ta bort nosmuttern när skaftlåsknappen är nedtryckt. Använd chucknyckeln vid behov.
3. Dra bort spännhylsan från skaftet.
4. Montera en spännhylsa av korrekt storlek i skaftet och skruva på nosmuttern med handkraft. Dra inte åt muttern helt när inget borr eller insatsverktyg är monterat.

---

## BYTA INSATSVERKTYG

---

### BILD 4

- P. Skaftlåsknapp

1. Tryck på skaftlåsknappen och vrid på skaftet för hand tills det fäster i skaftlåset. *Använd inte skaftlåsknappen när multiverktyget är igång.*
2. Lossa nosmuttern utan att ta bort den när skaftlåsknappen är nedtryckt. Använd chucknyckeln vid behov.
3. Sätt in boret eller insatsverktygets fäste helt i spännhylsan.

4. Håll skaftlåsknappen intryckt och dra åt nosmuttern för hand tills spännhylsan griper tag i boret eller tillbehörsfästet. Använd chucknyckeln för att säkra bits eller andra insatsverktyg i spännhylsan.

*OBS! Läs anvisningarna som medföljde Dremel-tillbehöret. Där finns mer information om hur det används.*

Använd endast tillbehör som godkänts av Dremel.

---

## KOMMA IGÅNG

---

---

## ANVÄNDNING

---

Första steget när du ska använda multiverktyget är att få en "känsla" för hur det fungerar. Håll den i handen och känn dess vikt och balans. Känn på det avsmalnande höljet. Formen gör att du kan hålla i verktyget på samma sätt som en penna. Det unika, mjuka greppet på nosen ökar komforten och kontrollen.

*Håll alltid verktyget riktat bort från ansiktet. Tillbehör kan skadas under transport och flyga av när de börjar rotera snabbt.*

*Håll inte verktyget så att ventilationsöppningarna täcks över när du använder det. Då kan motorn bli överhettad.*

VIKTIGT! Öva först på spillmaterial, så att du lär dig hur verktyget arbetar. Tänk på att multiverktyget fungerar som bäst om du låter hastigheten, tillsammans med rätt Dremel-tillbehör och tillsats, göra arbetet åt dig. Undvik om möjligt att lägga tryck på verktyget. Sänk i stället ner det roterande insatsverktyget försiktigt mot arbetsytan, och låt det vidröra det ställe där du vill börja. Koncentrera dig på att föra verktyget över arbetsstycket med endast ett lätt tryck med handen. Låt tillbehöret utföra arbetet.

Det är oftast bättre att föra verktyget flera gånger över arbetsytan i stället för att göra hela jobbet i ett svep. Ett försiktigt tryck ger den bästa kontrollen och minskar risken för fel.

För att få bästa kontroll vid små arbeten håller du multiverktyget mellan tummen och pekfingeret som en penna. BILD 6 "Golfgreppet" används för tyngre arbeten som slipning eller kapning. BILD 7

---

## DRIFTHASTIGHET

---

Hastigheten kan ställas in på 10000 eller 20000 varv/minut. Om du anpassar vartalet till arbetet får du ett bättre slutresultat. Anpassa hastigheten till arbetsuppgiften för bästa resultat vid arbete med olika material. Öva på en bit spillmaterial för att hitta rätt varvtal för insatsverktyget som används. Hastighetsreglaget på multiverktyget 7,2 V Ni-Cd har markeringar för de olika inställningarna.

De flesta arbeten kan utföras med högsta varvtal på verktyget. Vissa material (en del plaster och metaller) kan emellertid skadas av den värme som genereras vid höga hastigheter. Där bör i stället relativt låga varvtal användas. Låga varvtal (15000 min<sup>-1</sup> eller lägre) passar oftast bäst vid polering med polerings-tillbehör av filt. All borstning kräver lägre varvtal för att undvika att trådarna lossnar ur hållaren. Låt verktyget göra arbetet när du använder låga varvtal. Högre varvtal passar bättre för hårda träslag, metall och glas, och vid borring, skärmning, kapning, fräsning, tillformning och låghalsfräsning eller falsning i trä.

Några riktlinjer vad gäller varvtal:

- Plast och andra material med låg smältpunkt bör bearbetas på låga varvtal.
- Polering, putsning och rengöring med stålborste måste göras med varvtal lägre än 15000 min<sup>-1</sup>, eftersom tillbehöret och materialet annars kan skadas.
- Trä ska bearbetas med högt varvtal.
- Järn och stål ska bearbetas med högt varvtal.
- Om en höghastighetsfräs börjar vibrera är det ofta ett tecken på att den körs för långsamt.
- Aluminium, tenn samt koppar-, bly- och zinklegeringar kan bearbetas med olika varvtal beroende på vilken typ av skärning som ska göras. Använd paraffin eller annat lämpligt smörjmedel (ej vatten) på tillbehöret för att undvika att materialet fastnar på skårengen.

*OBS! Det är ingen lösning att öka trycket på verktyget om det inte fungerar som det ska. Prova med ett annat insatsverktyg eller varvtal för att uppnå önskat resultat.*

## UNDERHÅLL

*Om någon obehörig utför det förebyggande underhållet kan det leda till att inre ledningar och komponenter kommer bort, vilket är en stor säkerhetsrisk. Vi rekommenderar att du låter en Dremelrepresentant utföra all service på verktyget. För att undvika skador p.g.a. oväntad start eller elstötar, stäng alltid av elverktyget innan du underhåller eller rengör det.*

## RENGÖRA VERKTYGET

### STÄNG AV VERKTYGET INNAN DU RENGÖR DET

Ventilationsöppningar och strömbrytare måste hållas rena och fria från skräp. Försök aldrig peta i öppningarna med ett vasst föremål. *Verktyget kan rengöras med tryckluft. Använd alltid skyddsglasögon när du gör rent med tryckluft.*

Dremel-multiverktyget behöver inte smörjas.

*Vissa rengöringsmedel och lösningsmedel kan skada plastdelarna.*

*Det kan handla om: bensin, koltetraklorid, klorerade rengöringslösningar, ammoniak och tvättmedel som innehåller ammoniak.*

Rengör greppen på verktyget med en fuktig trasa. Områden med hårdare nedsmutsning kan behöva torkas flera gånger för att bli rena.

## SERVICE OCH GARANTI

Denna DREMEL-produkt omfattas av garanti enligt lagstadgade/landsspecifika regler. Skador orsakade av normalt slitage, överbelastning eller felaktig användning täcks inte av garantin.

Skicka vid reklamation det *odemonterade* verktyget samt inköpsbevis till återförsäljaren.

## KONTAKTA DREMEL

Mer information om Dremels sortiment, support och hotline finns på [www.dremel.com](http://www.dremel.com)  
Dremel Europe, P.O. Box 3267, 4800 DG Breda, Nederländerna

## OVERSETTELSE AV ORIGINALINSTRUKSJONENE

### ANVENDTE SYMBOLER



LES DISSE INSTRUKSJONENE



BRUK HØRSELVERN



BRUK ØYEBESKYTTELSE



BRUK STØVMASKE

## GENERELL SIKKERHETSADVARSEL FOR ELEKTROVERKTØY



**ADVARSEL** LES ALLE SIKKERHETSADVARSLER OG ALLE INSTRUKSJONER.

*Dersom advarslene og instruksjonene ikke følges, kan det føre til elektrisk støt, brann og/eller alvorlig personskade.*

**Oppbevar alle advarsler og instruksjoner for fremtidig referanse.**

*Begrepet "elektroverktøy" i advarslene henviser til elektroverktøy drevet via nettstrøm eller via batteri.*

## SIKKERHET FOR ARBEIDSOMRÅDET

- Hold arbeidsområdet rent og ryddig.** *Rotete arbeidsområder og arbeidsområder uten lys kan føre til ulykker.*
- Ikke arbeid med maskinen i eksplosjonsutsatte omgivelser** – der det befinner seg brennbare væsker, gass eller støv. *Elektroverktøy lager gnister som kan antenne støv eller damper.*
- Hold barn og andre personer unna når elektroverktøyet brukes.** *Hvis du blir forstyrret under arbeidet, kan du miste kontrollen over maskinen.*

## ELEKTRISK SIKKERHET

- Støpselet til maskinen må passe inn i stikkkontakten. Støpselet må ikke forandres på noen som helst måte.** *Ikke bruk adapterstøpsler sammen med jordede maskiner. Bruk av støpsler som ikke er forandret på og passende stikkontakter reduserer risikoen for elektriske støt.*
- Unngå kroppskontakt med jordede overflater slik som rør, ovner, komfyrer og kjøleskap.** *Det er større fare ved elektriske støt hvis kroppen din er jordet.*
- Hold maskinen unna regn eller fuktighet.** *Dersom det kommer vann i et elektroverktøy, øker risikoen for elektriske støt.*



- d. Ikke bruk ledningen til andre formål, f. eks. til å bære maskinen, henge den opp eller trekke den ut av stikkkontakten. Hold ledningen unna varme, olje, skarpe kanter eller maskindeler som beveger seg. *Med skadede eller opphøvede ledninger øker risikoen for elektriske støt.*
- e. Når et elektroverktøy skal benyttes utendørs, bruk en skjøteledning som er egnet for utendørs bruk. *Når du bruker en skjøteledning som er egnet for utendørs bruk, reduseres risikoen for elektriske støt.*
- f. Hvis det ikke kan unngås å bruke elektroverktøyet i fuktige omgivelser, må du bruke en jordfeilbryter. *Bruk av en jordfeilbryter reduserer risikoen for elektriske støt.*
- d. Elektroverktøy som ikke er i bruk må oppbevares utilgjengelig for barn. Ikke la maskinen brukes av personer som ikke er fortrolig med dette eller ikke har lest disse anvisningene. *Elektroverktøy er farlige når de brukes av uerfame personer.*
- e. Vær nøye med vedlikeholdet av maskinen. Kontroller om bevegelige maskindeler fungerer feilfritt og ikke klemmes fast, og om deler er brukket eller skadet, slik at dette innvirker på maskinens funksjon. *La disse skadede delene repareres før maskinen brukes. Dårlig vedlikeholdte elektroverktøy er årsaken til mange uhell.*
- f. Hold skjæreverktøyene skarpe og rene. *Godt stelte skjæreverktøy med skarpe skjær setter seg ikke så ofte fast og er lettere å føre.*
- g. Bruk elektroverktøy, tilbehør, verktøy osv. i henhold til disse anvisningene og slik det er foreskrevet for denne spesielle maskintypen. *La hensyn til arbeidsforholdene og arbeidet som skal utføres. Bruk av elektroverktøy til andre formål enn det som er angitt, kan føre til farlige situasjoner.*

---

## PERSONSIKKERHET

---

- a. Vær oppmerksom, pass på hva du gjør, gå fornuftig frem når du arbeider med et elektroverktøy. *Ikke bruk maskinen når du er tretet eller er påvirket av narkotika, alkohol eller medikamenter. Et øyeblikks uoppmerksomhet ved bruk av maskinen kan føre til alvorlige skader.*
- b. Bruk personlig verneutstyr og husk alltid å bruke vernebriller. *Bruk alltid vernebriller. Bruk av personlig sikkerhetsutstyr som støvmaske, sklifaste arbeidssko, hjelm eller hørselvern - avhengig av type og bruk av elektroverktøyet - reduserer risikoen for skader.*
- c. Unngå å starte verktøyet ved en feiltagelse. *Forviss deg om at elektroverktøyet er slått av før du setter støpselet inn i stikkkontakten. Hvis du holder fingeren på bryteren når du bærer maskinen eller kobler maskinen til strømmen i innkoblet tilstand, kan dette føre til uhell.*
- d. Fjern innstillingsverktøy eller skrunøkler før du slår på elektroverktøyet. *Et verktøy eller en nøkkel som befinner seg i en roterende maskindel, kan føre til skader.*
- e. Ikke overvurder deg selv. Sørg for å stå stødig og i balanse. Sørg for at du har godt fotfeste og god balanse hele tiden. *Dermed kan du kontrollere maskinen bedre i uventede situasjoner.*
- f. Bruk alltid egnede klær. *Ikke bruk vide klær eller smykker. Hold hår, tøy og hansker unna deler som beveger seg. Løstsittende tøy, smykker eller langt hår kan komme inn i deler som beveger seg.*
- g. Hvis det kan monteres støvavsug- og oppsamlingsinnretninger, må du forvise deg om at disse er tilkoblet og brukes på korrekt måte. *Bruk av disse innretningene reduserer faren på grunn av støv.*

---

## OMHYGGELIG BRUK OG HÅNDTERING AV ELEKTROVERKTØY

---

- a. Ikke overbelast verktøyet. Bruk et elektroverktøy som er beregnet til den type arbeid du vil utføre. *Med et passende elektroverktøy arbeider du bedre og sikrere i det angitte effektområdet.*
- b. Ikke bruk elektroverktøy med defekt på-/avbryter. *Et elektroverktøy som ikke lenger kan slås av eller på, er farlig og må repareres.*
- c. Trekk støpselet ut av stikkkontakten og/eller fjern batteriet før du utfører innstillinger på maskinen, skifter tilbehørsdeler eller legger maskinen bort. *Disse tiltakene forhindrer en utilsiktet startung av maskinen.*

- a. Bruk alltid den laderen som er angitt av produsenten ved lading. *En lader som er egnet for en type batteri kan utgjøre en brannfare dersom den brukes sammen med et annet batteri.*
- b. Bruk bare elektroverktøyet sammen med batteriet som er spesielt beregnet for verktøyet. *Bruk av annet batteri kan medføre fare for skade og brann.*
- c. Når batteriet ikke er i bruk må det holdes på avstand fra metallgjenstander, som binders, mynter, nøkler, spiker, skruer og andre små metallgjenstander som kan etablere forbindelse fra en terminal til en annen. *Å kortslutte batteriterminalene kan forårsake brannskader eller brann.*
- d. Under utilbørlige forhold kan væske lekke ut av batteriet. Unngå kontakt. *Dersom kontakt med væsken likevel forekommer, skyl med vann. Dersom væske får kontakt med øynene bør man oppsøke lege. Batterivæske kan forårsake irritasjon eller brannskader.*

---

## BRUK OG VEDLIKEHOLD AV BATTERIDREVNE ELEKTROVERKTØY

---



---

## SERVICE

---

- a. Maskinen din skal alltid kun repareres av kvalifisert fagpersonale og kun med originale reservedeler. *Slik opprettholdes maskinens sikkerhet.*

## SIKKERHETSANVISNINGER FOR ALLE ARBEIDER

---

## FELLES ADVARSLER OM SLIPING, SANDPAPIRSLIPING, ARBEID MED STÅLBØRSTER, POLERING OG KAPPING

---

- a. Dette elektroverktøyet skal brukes som sliper, sandpapiersliper, stålbørste, polermaskin og kuttessliper. *Følg alle advarsler, anvisninger, bilder og data som du*

- får levert sammen med elektroverktøyet. Hvis du ikke følger følgende anvisninger, kan det oppstå elektriske støt, ild og/eller store skader.
- b. **Ikke bruk tilbehør som ikke er spesielt beregnet og anbefalt av produsenten for dette elektroverktøyet.** Selv om du kan feste tilbehøret på elektroverktøyet ditt, garanterer dette ingen sikker bruk.
  - c. **Det godkjente turtallet til innsatsverktøyet må være minst like høyt som det maksimale turtallet som er angitt på elektroverktøyet.** Tilbehør som dreies hurtigere enn godkjent, kan ødelegges.
  - d. **Utvendig diameter og tykkelse på innsatsverktøyet må tilsvare målene for elektroverktøyet.** Gale innsatsverktøy kan ikke sikres eller kontrolleres tilstrekkelig.
  - e. **Slipekiver, flenser, slipetallerkener eller annet tilbehør må passe nøyaktig på slipepindelen til elektroverktøyet.** Innsatsverktøy som ikke passer nøyaktig på slipepindelen til elektroverktøyet, roterer uregelmessig, vibrerer svært sterkt og kan føre til at du mister kontrollen.
  - f. **Ikke bruk skadede innsatsverktøy. Sjekk før hver bruk om innsatsverktøy slik som slipekiver er splintret eller revnet, om slipetallerkener er revnet eller svært slitt, om stålborster har løse eller har brukkede tråder. Hvis elektroverktøyet eller innsatsverktøyet faller ned, må du kontrollere om det er skadet eller bruk et ikke skadet innsatsverktøy. Når du har kontrollert og satt inn innsatsverktøyet, må du holde personer som oppholder seg i nærheten unna det roterende innsatsverktøyet og la elektroverktøyet gå i ett minutt med maksimalt turtall. Som regel brykker skadede innsatsverktøy i løpet av denne testtiden.**
  - g. **Bruk personlig beskyttelsesutstyr. Avhengig av typen bruk må du bruke visir, øyebeskyttelse eller vernebriller. Om nødvendig må du bruke støvmaske, hørselvern, vernehansker eller spesialforkle som holder små slipe- og materialpartikler unna kroppen din. Øynene bør beskyttes mot fremmedlegemer som kan fly rundt ved visse typer bruk. Støv- eller pustevernmasker må filtrere den typen støv som oppstår ved denne bruken. Hvis du er utsatt for sterk støv over lengre tid, kan du miste hørselen.**
  - h. **Pass på at andre personer holder tilstrekkelig avstand til arbeidsområdet ditt. Alle som går inn i arbeidsområdet må bruke personlig verneutstyr. Brukne deler til verktøyet eller brukne innsatsverktøy kan slynnes ut og derfor også forårsake skader utenfor det direkte arbeidsområdet.**
  - i. **Ha kun tak i elektroverktøyet på de isolerte gripeflatene, hvis du utfører arbeid der inn-satsverktøyet kan treffe på skjulte strøm-ledninger eller den egne strømledningen. Kontakt med en spenningsførende ledning setter også elektroverktøyet metalldele un-der spenning og fører til elektriske støt.**
  - j. **Hold strømledningen unna roterende innsatsverktøy. Hvis du mister kontrollen over elektroverktøyet kan strømledningen kappes eller komme inn i verktøyet, og hånden eller armen din kan komme inn i det roterende innsatsverktøyet.**
  - k. **Legg aldri elektroverktøyet ned før innsatsverktøyet er stanset helt. Det roterende innsatsverktøyet kan komme i kontakt med overflaten der maskinen legges ned, slik at du kan miste kontrollen over elektroverktøyet.**
  - l. **La aldri elektroverktøyet være innkoblet mens du bærer det. Tøyet ditt kan komme inn i det roterende innsatsverktøyet hvis det tilfeldigvis kommer i kontakt med verktøyet og innsatsverktøyet kan da bore seg inn i kroppen din.**
  - m. **Rengjør ventilasjonsåpningene til elektroverktøyet med jevne mellomrom. Motorviften trekker støv inn i huset, og en stor oppsamling av metallstøv kan medføre elektrisk fare.**
  - n. **Ikke bruk elektroverktøyet i nærheten av brennbare materialer. Gnister kan antenne disse materialene.**
  - o. **Bruk ikke innsatsverktøy som krever flytende kjølemidler. Bruk av vann eller andre flytende kjølemidler kan føre til elektriske støt.**

## TILBAKESLAG OG TILSVARENDE ADVARSLER

Tilbakeslag er innsatsverktøyet plutselige reaksjon etter at det har hengt seg opp eller blokkerer. Dette kan gjelde slipekiven, slipetallerkenen, stålborsten osv.. Opphenging eller blokkering fører til at det roterende innsatsverktøyet stanser helt plutselig. Slik akselerer et ukontrollert elektroverktøy i motsatt retning av innsatsverktøyet dreieretning på blokkeringsstedet. Hvis f. eks. en slipekive henger seg opp eller blokkerer i arbeidsstykke, kan kanten på slipekiven som dykker inn i arbeidsstykket, henge seg opp og slik brykker slipekiven eller forårsaker et tilbakeslag. Slipekiven beveger seg da mot eller bort fra brukeren, avhengig av skivens dreieretning på blokkeringsstedet. Slipekiver kan da også brykke. Et tilbakeslag er resultat av en gal eller feilaktig bruk av elektroverktøyet. Det kan unngås ved å følge egne sikkerhetstiltak som beskrevet nedenstående.

- a. **Hold elektroverktøyet godt fast og plasser kroppen og armene dine i en stilling som kan ta imot tilbakeslagskrefter. Bruk alltid ekstrahåndtaket - hvis dette finnes - for å ha størst mulig kontroll over tilbakeslagskrefter eller reaksjonsmomenter ved oppkjøring. Brukeren kan beherske tilbakeslags- og reaksjonsmomenter med egnede tiltak.**
- b. **Hold aldri hånden i nærheten av det roterende innsatsverktøyet. Innsatsverktøyet kan bevege seg over hånden din ved tilbakeslag.**
- c. **Unngå at kroppen din befinner seg i området der elektroverktøyet vil bevege seg ved et tilbakeslag. Tilbakeslaget driver elektroverktøyet i motsatt retning av slipekivens dreieretning på blokkeringsstedet.**
- d. **Vær spesielt forsiktig i hjørner, på skarpe kanter osv. Du må forhindre at innsatsverktøy avpelles fra arbeidsstykket eller klemmes fast. Det roterende innsatsverktøyet har en tendens til å klemmes fast i hjørner, på skarpe kanter eller hvis det avpelles. Dette forårsaker kontrolltap eller tilbakeslag.**
- e. **Bruk ikke kjedesagblad eller tannet sagblad. Slike innsatsverktøy fører ofte til tilbakeslag eller til at man mister kontrollen over elektroverktøyet.**

---

## SPEISIELLE ADVARSLER OM SLIPING OG KAPPING

---

- a. **Bruk kun slipeskiver som er godkjent for dette elektroverktøyet og et vernedeksel som er konstruert for denne typen slipeskive.** *Slipeskiver som ikke ble konstruert for dette elektroverktøyet, kan ikke beskyttes tilsvarende og er ikke sikre.*
- b. **Slipeskiver må kun brukes til anbefalt type bruk, f. eks.: Ikke slip med sideflaten til en kappeskive.** *Kappeskiver er beregnet til materialfjerning med kanten på skiven. Innvirkning av krefter fra siden kan føre til at slipeskivene brykker.*
- c. **Bruk alltid uskadede spennflenser i riktig størrelse og form for den slipeskiven du har valgt.** *Egnede flenser støtter slipeskiven og reduserer slik faren for at slipeskiven brykker. Flenser for kappeskiver kan være annerledes enn flenser for andre slipeskiver.*
- d. **Ikke bruk slitte slipeskiver fra større elektroverktøy.** *Slipeskiver for større elektroverktøy er ikke beregnet til de høyere turtall på mindre elektroverktøy og kan brykke.*

---

## YTTERLIGERE SPEISIELLE ADVARSLER FOR KAPPESLIPING

---

- a. **Unngå blokkering av kappeskiven eller for sterkt presstrykk. Ikke utfør for dype snitt.** *En overbelastning av kappeskiven øker slitasjen og tendensen til fastkiling eller blokkering og dermed også muligheten til tilbakeslag eller brudd på slipeskiven.*
- b. **Unngå området foran og bak den roterende kappeskiven.** *Hvis kappeskiven beveger seg bort fra deg i arbeidsstykket, kan elektroverktøyet med den roterende skiven ved tilbakeslag slynges direkte mot kroppen din.*
- c. **Hvis kappeskiven blokkerer eller du avbryter arbeidet, slår du av elektroverktøyet og holder det rolig til skiven er stanset helt. Forsøk aldri å trekke den roterende kappeskiven ut av snittet, ellers kan det oppstå et tilbakeslag.** *Finn og fjern årsaken til blokkeringen.*
- d. **Ikke start elektroverktøyet igjen så lenge det befinner seg i arbeidsstykket. La kappeskiven oppnå det maksimale turtallet før du fortsetter forsiktig med snittet.** *Ellers kan skiven henge seg opp, springe ut av arbeidsstykket eller forårsake tilbakeslag.*
- e. **Støtt plater eller store arbeidsstykker for å redusere risikoen for tilbakeslag fra en fastklemt kappeskive.** *Store arbeidsstykker kan bøyes av sin egen vekt. Arbeidsstykket må støttes på begge sider, både nær kappesnittet og på kanten.*
- f. **Vær spesielt forsiktig ved innbyggingsnitt i vegger eller andre uoversiktlige områder.** *Den inntrengende kappeskiven kan treffe på gass- eller vannledninger, elektriske ledninger eller gjenstander som kan forårsake tilbakeslag.*

---

## SPEISIELLE ADVARSLER OM SANDPAPIRSLIPING

---

- a. **Ikke bruk sandpapierskiver som er alt for store. Ikke bruk overdimensjonerte slipeskiver, følg produsentens informasjon om slipepapirstørrelsen.** *Slipeskiver som*

*peker ut over slipetallerkenen kan forårsake skader og føre til at slipeskivene blokkerer eller revner eller til at det oppstår tilbakeslag.*

---

## SPEISIELLE ADVARSLER OM POLERING

---

- a. **Det må aldri finnes løse deler på polerhetten, spesielt ikke festesnorer. Putt unna eller kapp festesnorene.** *Løse roterende festesnorer kan gripe tak i fingrene dine eller vikle seg inn i arbeidsstykket.*

---

## SPEISIELLE ADVARSLER FOR ARBEID MED STÅLBØRSTER

---

- a. **Husk på at stålborsten mister stålbitar i løpet av vanlig bruk. Ikke overbelast ståldelene med for sterkt presstrykk.** *Ståldeler som slynges bort kan lett trenge inn gjennom tynt tøy og/eller hud.*
- b. **Hvis det anbefales å bruke et verne deksel, må du forhindre at verne dekslet og stålborsten kan berøre hverandre.** *Tallerken - og koppborster kan få større diameter med presstrykk og sentrifugalkrefter.*
- c. **Ikke overskrid 15000 min<sup>-1</sup> ved bruk av stålborste.**

**⚠ ADVARSEL** Bearbejd ikke asbestholdigt materiale (asbest er kræftfremkaldende).

**⚠ ADVARSEL** Træf de nødvendige foranstaltninger, hvis sundhedsskadeligt, brændbart eller eksplosivt støv kan opstå under arbejdet (noget støv kan være kræftfremkaldende); brug en støvbeskyttelsesmaske samt en støv-/spåneopsugning, hvis en sådan kan tilsluttes.

---

## MILJØ

---

---

### DEPONERING

---

Elektroverktøy, tilbehør og emballasje må leveres inn til miljøvennlig gjenvinning.

---

## BARE FOR EUROPEISKE LAND

---



Ikke kast elektroverktøy i vanlig søppel!  
Jf. det europeiske direktivet 2002/96/EF vedr. gamle elektriske og elektroniske-apparater og tilpassingen til nasjonale lover må gammelt elektroverktøy som ikke lenger kan brukes samles inn og leveres inn til en miljøvennlig resirkulering.

---

## SPEISIFIKASJONER

---

---

### GENERELLE SPEISIFIKASJONER

---

Merkespenning . . . . . 7,2V  
Merkestrøm . . . . . 0,7Ah  
Hastighet på tomgang . . . . .  $n_1$  10000/20000 min<sup>-1</sup>  
Spennhylsekapasitet . . . . . 0,8 mm, 1,6 mm, 2,4 mm, 3,2 mm

---

## SKJØTELEDNINGER

---

Bruk skjøteledninger som er helt rullet ut med en kapasitet på 5 A.

## MONTERING

SLÅ ALLTID AV MULTIVERKTØYET FØR BYTTE AV TILBEHØR, SPENNYHLISER ELLER VEDLIKEHOLD AV VERKTØYET.

---

## GENERELT

---

Multiverktøyet fra Dremel er et presisjonsverktøy av høy kvalitet som kan brukes til å utføre detaljerte presisjonsoppgaver. Det brede spekteret av Dremel-tilbehør og -forsatser gjør det mulig å utføre et stort antall oppgaver. Dette omfatter sliping, utskjæring og gravering, kutting, rengjøring og polering. BILDE 1

### BILDE 2

- A. Spennhylseemutter
- B. Spennhylse
- C. Verktøykappe
- D. Spindellåsknapp
- E. Grep
- F. Ventilasjonsåpninger
- G. På/av-bryter og hastighetshjul
- h. Utløserknapp
- I. Batteri
- j. Lader

---

## LAD E VERKTØYET

---

Det batteridrevne roterende verktøyet er ikke fullstendig oppladet. Verktøyet er utstyrt med en batteripakke som kan tas ut. Sørg for at batteripakken er ladet før første gangs bruk.

Slik lader du verktøyet:

1. Sett bryteren i "av"-posisjon.
2. Klem på utløserknappene på begge sider av batteripakken og ta den ut fra baksiden av verktøyet.
3. Juster utsiden på batteripakken med utsiden på laderen (pilene på batteriet skal peke på pilene på laderen), press sammen utløserknappene, sett batteripakken i laderen og slipp opp utløserknappene, slik at batteripakken låses på plass.
4. Koble laderen til et vegguttak. Den grønne kontrollampen viser at forbindelsen er i orden og at batteripakken lades. Ved vanlig bruk trenger verktøyet tre timer på å nå fullt ladenivå. Når ladingen er fullført, slår kontrollampen på laderen seg av.
5. Når ladingen er fullført, presser du sammen utløserknappene og fjerner batteripakken fra laderen.
6. Juster utsiden på batteriladeren med utsiden på verktøydexselet. Press sammen utløserknappene, sett batteripakken på plass på baksiden av verktøyet, og slipp deretter opp knappene, slik at batteripakken knepper på plass.

---

## VIKTIGE MERKNADER OM LADING

---

1. De første gangene batteripakken lades, kan den bare lades opp til ca. 80 % av maksimal ladekapasitet. Etter dette vil batteripakken imidlertid lades til full kapasitet.
2. Laderen er konstruert slik at den bare kan hurtiglade batteriet når batteritemperaturen ligger mellom 4 °C og 41 °C.
3. En merkbart reduksjon i driftstiden mellom hver lading kan bety at batteripakken nærmer seg slutten av levetiden og bør skiftes ut.

*MERK: Bruk av ladere og batteripakker som ikke selges av Dremel kan medføre brudd på garantibestemmelsene.*

---

## SPENNYHLISER

---

Dremel-tilbehør til multiverktøyet leveres med ulike skaftstørrelser. Det finnes fire spennhylsestørrelser til de ulike skaftstørrelsene. Spennhylsestørrelsene kan identifiseres ved hjelp av ringene på baksiden av spennhylsen.

### BILDE 3

- L. 3,2 mm spennhylse uten ring
- M. 2,4 mm spennhylse med tre ringer
- N. 1,6 mm spennhylse med to ringer
- O. 0,8 mm spennhylse med en ring

Bruk alltid en spennhylse som samsvarer med akselstørrelsen på det tilbehøret du planlegger å bruke. Tving aldri et skaft med større diameter ned i en mindre spennhylse.

---

## BYTTE SPENNYHLISER

---

### BILDE 4

- P. Spindellåsknapp
- Q. Spennhylsenøkkel
- R. Stramme
- S. Løsne
- T. Spennhylseemutter

1. Trykk på spindellåsknappen, hold skaftet inne og vri for hånd inntil den smekker på plass. *Man må ikke koble inn spindellåsknappen mens multiverktøyet er i bruk.*
2. Hold spindellåsknappen inne, løsne og ta ut spennhylseemutteren. Bruk spennhylsenøkkel om nødvendig.
3. Ta ut spennhylsen ved å trekke den løs fra skaftet.
4. Sett en spennhylse i riktig størrelse helt inn i skaftet og trekk til spennhylseemutteren med fingrene. Ikke trekk mutteren helt til hvis det ikke er montert bits eller tilbehør.

---

## BYTTE TILBEHØR

---

### BILDE 4

- P. Spindellåsknapp

1. Trykk på spindellåsknappen, og vri skaftet for hånd inntil den smekker på plass. *Ikke koble inn spindellåsknappen mens multiverktøyet er i bruk.*
2. Hold spindellåsknappen inne, løsne (ikke ta ut) spennhylseemutteren. Bruk spennhylsenøkkel om nødvendig.

3. Sett inn bitsen eller tilbehørskaffet helt inn i spennhylsen.
4. Når spindellåsknappen er koblet inn, kan du stramme spennhylsen med fingrene til spennhylsen griper tak i kaffet på tilbehøret. Bruk spennhylsenøkkelen til å feste bitsen eller tilbehøret i spennhylsen.

*MERK: Sørg for å lese instruksjonene som følger med Dremel-tilbehøret. Her finner du mer informasjon om bruken.*

Bruk bare tilbehør med høy ytelse som er testet av Dremel.

## SLIK KOMMER DU I GANG

### BRUK

Det første trinnet ved bruk av multiverktøyet er å bli "kjent" med det. Hold det i hånden og bli kjent med vekten og balansen. Kjenn på tappen på dekselet. Denne tappen gjør det mulig å holde verktøyet som du holder en blyant eller penn. Det unike softgriepet på tuppen gjør det mulig å oppnå økt komfort og kontroll under bruk.

*Hold alltid verktøyet på sikker avstand fra ansiktet. Tilbehør kan skades ved bruk, og kan sprette ut når hastigheten øker.*

*Når du holder verktøyet, må du ikke dekke ventilasjonsåpningene med hånden din. Hvis ventilasjonsåpningene blokkeres, kan motoren bli overopphetet.*

Viktig: Øv deg på prøvematerialer først, slik at du blir vant med hvordan verktøyet skjærer på høy hastighet. Husk at multiverktøyet yter best hvis du lar hastigheten, sammen med riktig Dremel-tilbehør og -forsats, gjøre arbeidet for deg. Unngå å øve press mot verktøyet under bruk. Senk isteden det roterende tilbehøret forsiktig ned mot arbeidsflaten og la det komme i kontakt med punktet hvor det skal starte. Konsentrer deg om å føre verktøyet over arbeidsstykket med svært liten kraft. La tilbehøret gjøre jobben.

Vanligvis er det best å gjøre jobben i flere omganger istedenfor å prøve å utføre hele jobben på én gang. Å arbeide med lett hånd gir best kontroll og reduserer risikoen for feil.

Når du jobber med detaljer oppnår du best kontroll ved å holde verktøyet som en blyant mellom tommel og pekefinger. BILDE 6 "Golf"-griepet brukes til tyngre operasjoner som sliping eller kutting. BILDE 7

### DRIFTSHASTIGHETER

Hastigheten kan stilles til 10000 eller 20000 min<sup>-1</sup>. Hvis du justerer hastigheten i tråd med prosjektet oppnår du bedre sluttresultat. For å oppnå best mulig resultat når du jobber med ulike materialer, innstill hastigheten til det som er best egnet for jobben.

7,2V Ni-Cd multiverktøy-bryterinnstillinger er markert på hastighetskontrollbryteren.

De fleste jobber kan utføres med verktøyet i høyeste stilling. Imidlertid kan visse materialer (noen plast- og metallsorter) bli skadet av varmen som utvikles på grunn av den høye hastigheten. Disse må bearbeides ved lavere hastigheter. Drift på lav hastighet (15000 min<sup>-1</sup> eller mindre) er vanligvis best for polering ved hjelp av filtpolerings-tilbehør. Ved bruk av alle typer børster kreves det lavere hastigheter for å unngå at trådene løsner fra holderen. La ytelsen til verktøyet utføre arbeidet for deg når du bruker lavere

hastighetsinnstillinger. Høyere hastigheter er bedre for hardt treverk, metall og glass samt for boring, utskjæring, kutting, fresing, forming og kutting av dørfalser og brystpanel i treverk.

Noen retningslinjer mht. verktøyhastighet:

- Plast og andre materialer som smelter ved lave temperaturer, må kuttes ved lav hastighet.
- Polering, pussing og rengjøring med stålborster må utføres ved hastigheter under 15000 min<sup>-1</sup> for å hindre skader på borsten og materialet.
- Treverk må kuttes ved høy hastighet.
- Jern eller stål må kuttes ved høy hastighet.
- Hvis det begynner å vibrere i en høyhastighetsfres av stål, betyr det vanligvis at den har for lav hastighet.
- Aluminium, kobberlegeringer, blylegeringer, sinklegeringer og tinn kan kuttes ved ulike hastigheter, avhengig av hva slags type kutting som skal utføres. Bruk parafin (ikke vann) eller annet egnet smøremiddel på fresen for å hindre at materialet som kuttes setter seg fast i tennene på fresen.

*MERK: Økt press mot verktøyet er ikke riktig mottiltak hvis det ikke yter som forventet. Prøv et annet tilbehør eller hastighetsinnstilling for å oppnå ønsket resultat.*

## VEDLIKEHOLD

*Forebyggende vedlikehold utført av ukyndige personer kan føre til at innvendige deler og ledninger blir satt feil inn, noe som kan forårsake alvorlig fare. Vi anbefaler at all verktøyvedlikehold utføres av et Dremel-serviceverksted. Du unngår skade fra uventet oppstart eller elektrisk støt ved alltid å slå av elektroverktøyet før du foretar vedlikehold eller rengjøring.*

### RENGJØRING AV VERKTØYET

SLÅ AV VERKTØYET FØR RENGJØRING

Ventilasjonsåpninger og brytere må holdes rene og fri for fremmedlegemer. Ikke forsøk å foreta rengjøring ved å stikke spisse gjenstander inn gjennom åpningene.

*Bruk gjerne trykkluft til å rengjøre verktøyet. Bruk alltid vernebriller når du rengjør verktøy med trykkluft.*

Dremel multiverktøy trenger ikke smøres.

*Noen rengjøringsmidler og løsemidler kan skade plastdeler.*

*Dette omfatter blant annet bensin, karbontetraklorid, klorholdige rensmiddel, ammoniakk og rengjøringsmidler som inneholder ammoniakk.*

Rengjør "gripeområdet" på verktøyet med en fuktig klut. Svært skitne områder kan kreve mer enn én omgang med kluten før de blir rene.

## SERVICE OG GARANTI

Garantien for dette DREMEL-produktet gis i henhold til lovfestede/landsspesifikke lover og forskrifter. Skader grunnet normal slitasje, overbelastning eller feil bruk dekkes ikke av garantien.

Dersom du ønsker å klage på produktet, tar du med verktøyet i monteret stand sammen med kjøpsbevis til forhandleren.

## KONTAKTE DREMEL

Hvis du ønsker flere opplysninger om Dremels produktutvalg, brukerstøtte og hotline, kan du se på [www.dremel.com](http://www.dremel.com)

Dremel Europe, Postboks 3267, 4800 DG Breda, Nederland

## FIN KÄÄNNÖS ALKUPERÄISISTÄ OHJEISTA

### KÄYTETYT SYMBOLIT



LUE NÄMÄ OHJEET



KÄYTÄ KUULONSUOJAIMIA



KÄYTÄ SUOJALASEJA



KÄYTÄ PÖLYSUOJANAAMARIA

### YLEISET SÄHKÖTYÖKALUN TURVALLISUUSVAROITUKSET



**VAROITUS** LUE KAIKKI TURVALLISUUSVAROITUKSET JA OHJEET.

Seuraavien varoitusten ja ohjeiden noudattamatta jättämisestä voi seurata sähköisku, tulipalo ja/tai vakava vamma. **Säästä kaikki varoitukset ja ohjeet myöhemmä käyttöä varten.** Termillä "sähkötyökalu" viitataan varoituksissa verkkovirtakäyttöiseen (johdolliseen) sähkötyökaluun tai akkukäyttöiseen (johdottomaan) sähkötyökaluun.

### TYÖALUEEN TURVALLISUUS

- Pidä työskentelyalue puhtaana ja hyvin valaistuna.** Työpaikan epäjärjestys ja valaisemattomat työalueet voivat johtaa tapaturmiin.
- Älä työskentele sähkötyökalulla räjähdyksalttiissa ympäristössä, jossa on palavaa nestettä, kaasua tai pölyä.** Sähkötyökalu muodostaa kipinöitä, jotka saattavat sytyttää pölyn tai höyryt.
- Pidä lapset ja sivulliset loitolla sähkötyökalua käyttäessäsi.** Voit menettää laitteesi hallinnan, huomiosi suuntautuessa muualle.

## SÄHKÖTURVALLISUUS

- Sähkötyökalun pistotulpan tulee sopia pistorasiaan.** Pistotulppaa ei saa muuttaa millään tavalla. Älä käytä mitään pistorasia-adaptoreita maadoitettujen sähkötyökalujen kanssa. Alkuperäisessä kunnossa olevat pistotulpat ja sopivat pistorasiat vähentävät sähköiskun vaaraa.
- Vältä koskettamasta maadoitettuja pintoja, kuten putkia, pattereita, liesiä tai jääkaappeja.** Sähköiskun vaara kasvaa, jos kehosi on maadoitettu.
- Älä aseta sähkötyökalua alttiiksi sateelle tai kosteudelle.** Veden tunkeutuminen sähkötyökalun sisään kasvattaa sähköiskun riskiä.
- Älä käytä verkkojohtoa väärin.** Älä käytä sitä sähkötyökalun kantamiseen, ripustamiseen tai pistotulpan irrottamiseen pistorasiasta vetämällä. Pidä johto loitolla kuumuudesta, öljystä, terävistä reunoista ja liikkuvista osista. Vahingoittuneet tai sotkeutuneet johdot kasvattavat sähköiskun vaaraa.
- Käytettäessä sähkötyökalua ulkona pitää käyttää ulko-olosuhteisiin sopivaa jatkojohtoa.** Ulkokäyttöön soveltuvan jatkojohdon käyttö pienentää sähköiskun vaaraa.
- Jos sähkötyökalun käyttö kosteassa ympäristössä ei ole välttävissä, tulee käyttää jatkojohtoa.** Jatkojohdon käyttö vähentää sähköiskun vaaraa.

## HENKILÖTURVALLISUUS

- Ole valpas, kiinnitä huomiota työskentelyysi ja noudata tervettä järkeä sähkötyökalua käyttäessäsi.** Älä käytä laitetta, jos olet väsynyt tai huumeiden, alkoholin tai lääkkeiden vaikutuksen alaisena. Hetken tarkkaamattomuus sähkötyökalua käytettäessä, saattaa johtaa vakavaan loukkaantumiseen.
- Käytä suojavausteita.** Käytä aina suojalaseja. Henkilökohtaisen suojavarustuksen käyttö, kuten pölynaamarin, luistamattomien turvaken-kien, suojakypärän tai kuulonsuojaimien, riippuen sähkötyökalun lajista ja käytötavasta, vähentää loukkaantumisriskiä.
- Vältä tahatonta käynnistämistä.** Varmista, että sähkötyökalu on poiskytkettynä, ennen kuin liität pistotulpan pistorasiaan. Jos kannat sähkötyökalua sormi käynnistyskytkimellä tai kytket sähkötyökalun pistotulpan pistorasiaan, käynnistyskytkimen ollessa käyntiasennossa, altistat itsesi onnettomuuksille.
- Poista kaikki säätötyökalu ja ruuvitaltat, ennen kuin käynnistät sähkötyökalun.** Työkalu tai avain, joka sijaitsee laitteen pyörivässä osassa, saattaa johtaa loukkaantumiseen.
- Älä yliarvioi itseäsi.** Huolehdi aina tukevasta seisomasennosta ja tasapainosta. Täten voit paremmin hallita sähkötyökalua odottamattomissa tilanteissa.
- Käytä tarkoitukseen soveltuvia vaatteita.** Älä käytä löysiä työvaatteita tai koruja. Pidä hiukset, vaatteet ja käsineet loitolla liikkuvista osista. Väljät vaatteet, korut ja pitkät hiukset voivat takertua liikkuviin osiin.
- Jos polynimu- ja keräilylaitteita voidaan asentaa, tulee sinun tarkistaa, että ne on liitetty ja että ne käytetään oikealla tavalla.** Näiden laitteiden käyttö vähentää pölyn aiheuttamia vaaroja.

## SÄHKÖTYÖKALUJEN HUOLELLINEN KÄYTTÖ JA KÄSITTELY

- a. Älä ylikuormita laitetta. Käytä kyseiseen työhön tarkoitettua sähkötyökäluä. *Sopivaa sähkötyökäluä käyttäen työskentelet paremmin ja varmemmin tehoalueella, jolle sähkötyökälu on tarkoitettu.*
- b. Älä käytä sähkötyökäluä, jota ei voida käynnistää ja pysäyttää käynnistyskytkimestä. *Sähkötyökälu, jota ei enää voida käynnistää ja pysäyttää käynnistyskytkimellä, on vaarallinen ja se täytyy korjata.*
- c. Irrota pistotulppa pistorasiasta, ennen kuin suoritat säätöjä, vaihdat tarvikkeita tai siirrat sähkötyökäluun varastoitavaksi. *Nämä turvatoimenpiteet pienentävät sähkötyökäluun tahattoman käynnistyksen.*
- d. Säilytä sähkötyökälu poissa lasten ulottuvilta, kun niitä ei käytetä. Älä anna sellaisten henkilöiden käyttää sähkötyökäluä, jotka eivät tunne sitä tai jotka eivät ole lukeneet tätä käyttöohjetta. *Sähkötyökälu ovat vaarallisia, jos niitä käyttävät kokemattomat henkilöt.*
- e. Hoida sähkötyökälu huolella. Tarkista, että liikkuvat osat toimivat moitteettomasti, eivätkä ole puristuksessa sekä, että siinä ei ole murtuneita tai vahingoittuneita osia, jotka saattaisivat vaikuttaa haitallisesti sähkötyökäluun toimintaan. Anna korjata nämä vioittuneet osat ennen käyttöä. *Monen tapaturman syyt löytyvät huonosti huolletuista laitteista.*
- f. Pidä leikkausterät terävinä ja puhtaina. *Huolellisesti hoidetut leikkaustyökälu, joiden leikkausreunat ovat teräviä, eivät tartu helposti kiinni ja niitä on helpompi hallita.*
- g. Käytä sähkötyökäluja, tarvikkeita, vaihtotyökäluja jne. näiden ohjeiden mukaisesti ja tavalla, jota on säädetty erityisesti kyseiselle sähkötyökäluille. Ota tällöin huomioon työolosuhteet ja suoritettava toimenpide. *Sähkötyökäluun käyttö muuhun kuin sille määrättyyn käyttöön, saattaa johtaa vaarallisiin tilanteisiin.*

## AKKUTYÖKALUN KÄYTTÖ JA HUOLTO

- a. Lataa vain valmistajan määrittämällä laturilla. *Yhden tyyppisen akun kanssa sopiva laturi voi aiheuttaa palovaaran, jos sitä käytetään toisen tyyppisen akun kanssa.*
- b. Käytä sähkötyökäluja vain määrättyjen akkujen kanssa. *Muiden akkujen käyttäminen aiheuttaa henkilövahingon tai tulipalon vaaran.*
- c. Kun akku ei ole käytössä, pidä se erillään muista metalliesineistä, kuten paperiliittimistä, kolikoista, avaimista, nauloista, ruuveista tai vastaavista, jotka voivat muodostaa kytkennän navasta toiseen. *Oikosulun luominen akun napojen välille voi aiheuttaa palovammoja tai tulipalon.*
- d. Sopimattomissa olosuhteissa akusta voi vuotaa nestettä. Vältä kosketusta. Jos vahingossa kosketat nestettä, huuhtele se vedellä. Jos nestettä joutuu silmiin, hakeudu lisäksi lääkärin hoitoon. *Akusta vuotanut neste voi aiheuttaa ärsytystä tai palovammoja.*

## HUOLTO

- a. Anna koulutettujen ammattihenkilöiden korjata sähkötyökäluja ja hyväksy korjauksiin vain alkuperäisiä varaosia. *Täten varmistat, että sähkötyökälu säilyy turvallisena.*

## TURVALLISUUSOHJEET ERI KÄYTTÖTARKOITUKSILLE

### YHTEISET TURVALLISUUSOHJEET HIOMISTA, HIEKKAPAPERIHIOMISTA, TYÖSKENTELYÄ TERÄSHARJAN KANSSA, KIILLOTUSTA JA KATKAISUHIONTAA VARTEN

- a. Tätä sähkötyökäluä tulee käyttää hiomakoneena, hiekkapaperihiomakoneena, teräsharja-, kiillotus- ja katkaisuhiomakoneena. Ota huomioon hiomakoneen varo-ohjeet, ohjeet, piirustukset ja tiedot, joita saat sähkötyökäluun kanssa. *Ellet noudata seuraavia ohjeita, saattaa se johtaa sähköiskuun, tulipaloon ja/tai vaikeisiin loukkaantumisiin.*
- b. Älä käytä mitään lisälaitteita, joita ei valmistaja ole tarkoittanut tai suositellut nimenomaan tälle sähkötyökäluille. *Vain se, että pystyt kiinnittämään lisätarvikkeen sähkötyökäluusi ei takaa sen turvallista käyttöä.*
- c. Vaihtotyökäluun sallitun kierrosluvun tulee olla vähintään yhtä suuri kuin sähkötyökäluun mainittu suurin kierrosluvu. *Lisätarvike, joka pyörii sallittua suuremmalla nopeudella, saattaa tuhoutua.*
- d. Vaihtotyökäluun ulkohalkaisijan ja paksuuden tulee vastata sähkötyökäluun mittatietoja. *Väärin mitoitettuja vaihtotyökäluja ei voida suojata tai hallita riittävästi.*
- e. Hiomalaikkojen, laippojen, hiomalaustasten ja muitten lisätarvikkeiden tulee sopia tarkasti sähkötyökäluun hiomakaraan. *Vaihtotyökälu, jotka eivät sovi tarkkaan sähkötyökäluun hiomakaraan pyörivät epätasaisesti, tärisivät voimakkaasti ja saattavat johtaa työkalun hallinnan menettämiseen.*
- f. Älä käytä vaurioituneita vaihtotyökäluja. Tarkista ennen jokaista käyttöä, ettei vaihtotyökäluun, kuten hiomalaikkoissa ole pirstoutumia tai halkemia, hiomalaustasessa halkeamia tai voimakasta kulumista, teräsharjassa irtonaisia tai katkenneita lankoja. *Jos sähkötyökälu tai vaihtotyökälu putoaa, tulee tarkistaa, että se on kunnossa tai sitten käyttää ehjää vaihtotyökäluä. Kun olet tarkistanut ja asentanut vaihtotyökäluun, pidä itsesi ja lähistöllä olevat henkilöt poissa pyörivän vaihtotyökäluun tasosta ja anna sähkötyökäluun käydä minuuttia täydellä kierrosluvulla. Vaurioituneet vaihtotyökäluat menevät yleensä rikki tässä ajassa.*
- g. Käytä henkilökohtaisia suojavarusteita. *Käytä käytöstä riippuen kokokasvonaamiota, silmäsuojusta tai suojalaseja. Jos mahdollista, käytä pölynaamaria, kuulonsuojainta, suojakäsineitä tai erikoissuojavaatetta, joka suojaa sinut pieniltä hiomajamateriaalihiukkasilta. Silmät tulee suojata lenteleviltä vierailta esineiltä, jotka saattavat syntyä eri käytössä.*

*Pöly- tai hengityssuojanaamareiden täytyy suodattaa pois työstössä syntyvä pöly. Jos olet pitkään alltiina voimakkaalle melulle, saattaa se vaikuttaa heikentävästi kuuloon.*

- h. Varmista, että muut henkilöt pysyvät turvallisella etäisyydellä työalueelta.** Jokaisella, joka tulee työalueelle, tulee olla henkilökohtaiset suojavarusteet. Työkappaleen tai murtuneen vaihtotyökalun osia saattavat sinkoutua kauemmas ja vahingoittaa ihmisiä myös varsinaisen työalueen ulkopuolella.
- i. Tartu sähkötyökaluun ainoastaan eriste-tyistä pinnoista, tehdessäsi työtä, jossa saattaisit osua piilossa olevaan sähköjohtoon tai sahan omaan sähköjohtoon.** Kosketus jännitteiseen johtoon saattaa myös sähkötyökalun metalliosat jännitteiseksi ja johtaa sähköiskuun.
- j. Pidä sähköjohto poissa pyörivistä vaihtotyökaluista.** Jos menetät sähkötyökalun hallinnan, saattaa verkkojohto tulla katkaistuksi tai tarttua kiinni ja vetää kätesi tai käsivartesi kiinni pyörivään vaihtotyökaluun.
- k. Älä aseta sähkötyökalua pois, ennen kuin vaihtotyökalu on pysähtynyt kokonaan.** Pyörivä vaihtotyökalu saattaa koskettaa lepopintaa ja voit menettää sähkötyökalusi hallinnan.
- l. Älä koskaan pidä sähkötyökalua käynnissä sitä kantaessasi.** Vaatteesi voi hetkellisen kosketuksen seurauksena tarttua kiinni pyörivään vaihtotyökaluun, joka saattaa porautua kehoosi.
- m. Puhdista sähkötyökalusi tuuletusaukkoja säännöllisesti.** Moottorin tuletin imee pölyä työkalun koteloon, ja voimakas metallipölyn kasautuma voi synnyttää sähköisiä vaaratilanteita.
- n. Älä käytä sähkötyökalua palavien aineiden lähellä.** Kipinät voivat sytyttää näitä aineita.
- o. Älä käytä vaihtotyökaluja, jotka tarvitsevat nestemäistä jäähdytysainetta.** Veden tai muiden nestemäisten jäähdytysainesten käyttö saattaa johtaa sähköiskuun.

## TAKAISKU JA VASTAAVAT VARO-OHJEET

Takaisku on äkillinen reaktio, joka syntyy pyörivän vaihtotyökalun, kuten hiomalaikan, hiomalautasen tai teräsharjan tarttuessa kiinni tai jäädessä puristukseen. Tarttuminen tai puristukseen joutuminen johtaa pyörivän vaihtotyökalun äkilliseen pysähtymiseen. Tällöin hallitsematon sähkötyökalu sinkoutuu tarttumakohdasta vaihtotyökalun kiertosuunnasta vastakkaiseen suuntaan. Jos esim. hiomalaikka tarttuu tai joutuu puristukseen työkappaleeseen, saattaa hiomalaikan reuna, joka on onponnut työkappaleeseen, juuttua kiinni aiheuttaen hiomalaikan ponnahtuksen ulos työkappaleesta tai aiheuttaa takaiskun. Hiomalaikka liikkuu silloin käytävää henkilöä vasten tai pois päin hänestä, riippuen laikan kiertosuunnasta tarttumakohdassa. Tällöin hiomalaikka voi myös murtua. Takaisku joutuu sähkötyökalun väärinkäytöstä tai käytöstä väärään tarkoitukseen. Se voidaan estää sopivin varotoimin, joita selostetaan seuraavassa.

- a. Pitele sähkötyökalua tukevasti ja saata kehoasi käsivartesi asentoon, jossa pystyt vastaamaan takaiskuvoimiin.** Käytä aina lisäkahvaa, jos sinulla on sellainen, jotta pystyisit parhaalla mahdollisella tavalla hallitsemaan takaiskuvoimia tai vastamomenteja

**työkalun ryntökäynnissä.** Käyttävä henkilö pystyy hallitsemaan takaisku ja vastamomenttivoimat noudattamalla sopivia suojatoimenpiteitä.

- b. Älä koskaan tuo kättäsi lähelle pyörivää vaihtotyökalua.** Vaihtotyökalu saattaa takaiskun sattuessa liikkua kätesi yli.
- c. Vältä pitämästä kehoasi alueella, johon sähkötyökalu liikkuu takaiskun sattuessa.** Takaisku pakottaa sähkötyökalun vastakkaiseen suuntaan hiomalaikan liikkeeseen nähdn tarttumiskohdassa.
- d. Työskentele erityisen varovasti kulumien, terävien reunojen jne. alueella, estä vaihtotyökalua ponnahtamasta takaisin työkappaleesta ja juuttumasta kiinni.** Pyörivällä vaihtotyökalulla on taipumus juuttua kiinni kulumissa, terävissä reunoissa tai saadessaan kimmokkeen. Tämä johtaa hallinnan pettämiseen tai takaiskuun.
- e. Älä käytä keijuteriä tai hammastettuja sahanteriä.** Tällaiset vaihtotyökalut aiheuttavat usein takaiskun tai sähkötyökalun hallinnan menettämisen.

## ERITYISET OHJEET HIONTAAN JA KATKAISUHIONTAAN

- a. Käytä yksinomaan sähkötyökalullesi sallittuja hiomatyökaluja ja näitä hiomatyökaluja varten tarkoitettuja suojuksia.** Hiomatyökaluja, jotka eivät ole tarkoitettuja sähkötyökalun kanssa käytettäväksi, ei voida suojata riittävästi ja ne ovat turvattomia.
- b. Hiomatyökaluja saa käyttää ainoastaan siihen käyttöön mihin niitä suositellaan.** Esim: Älä koskaan hio hiomalaikan sivupintaa käyttäen. Hiomalaikat on tarkoitettu hiontaan laikan ulkokehällä. Sivuttain kohdistuva voima saattaa murtaa hiomalaikan.
- c. Käytä aina vierhentöytä, oikean kokoista ja muotoista kiinnitysliappaa valitsemallesi hiomalaikalle.** Sopivat laipat tukevat hiomalaikkaa ja vähentävät näin hiomalaikan murtumisriskiä. Katkaisulaikkojen laipat saattavat poiketa muitten hiomalaikkojen laipoista.
- d. Älä käytä isompiin sähkötyökaluihin kuuluneita, kuluneita hiomalaikkoja.** Suurempien sähkötyökalujen hiomalaikat eivät sovellu pienempien sähkötyökalujen suuremmille kierrosluvuille, ja ne voivat murtua.

## MUITA KATKAISUHIONTAAN LIITTYVIÄ ERITYISVARO-OHJEITA

- a. Vältä katkaisulaikan juuttumista kiinni ja liian suurta syöttöpainetta.** Älä tee liian syviä leikkauksia. Katkaisulaikan yliuormitus kasvattaa sen rasiustaa ja sen alltiutta kallistua tai juuttua kiinni ja siten takaiskun ja laikan murtumisen mahdollisuutta.
- b. Vältä aluetta pyörivän katkaisulaikan edessä ja takana.** Jos katkaisulaikka liikkuu työkappaleessa sinusta pois päin, saattaa sähkötyökalu takaiskun sattuessa singota suoraan sinua kohti laikan pyöriessä.
- c. Jos katkaisulaikka joutuu puristukseen tai keskeytät työn, tulee sinun pysäyttää sähkötyökalu ja pitää se rauhallisesti paikoillaan, kunnes laikka on pysähtynyt.** Älä koskaan koeta poistaa vielä pyörivää katkaisulaikkaa leikkauksesta, se saattaa aiheuttaa takaiskun. Määrittele ja poista puristukseen joutumisen syy.



- d. Älä käynnistä sähkötyökalu uudelleen, jos laikka on kiinni työkappaleessa. Anna katkaisulaikan ensin saavuttaa täysi kierroslukunsa, ennen kuin varovasti jatkat leikkausta. Muussa tapauksessa saattaa laikka tarttua kiinni, ponnahtaa ulos työkappaleesta tai aiheuttaa takaiskun.
- e. Tue litteät tai isot työkappaleet, katkaisulaikan puristuksen aiheuttaman takaiskuvaaran minimoimiseksi. Suuret työkappaleet voivat taipua oman painonsa takia. Työkappaletta tulee tukea molemmilta puolilta, sekä katkaisuleikkauksen vierestä, että reunoista.
- f. Ole erityisen varovainen upotusleikkauksissa seiniin tai muihin alueisiin, joiden taustaa tai rakennetta et pysty näkemään. Uppoava katkaisulaikka saattaa aiheuttaa takaiskun osuessaan kaasu- tai vesiputkiin, sähköjohtoihin tai muihin kohteisiin.

## ERITYISEN VARO-OHJEET HIEKKAPAPERIHIONTAAN

- a. Älä käytä liian suurikokoista hiekkapaperia. Älä käytä ylisuuria hiomapyöröjä. Noudata valmistajan ohjeita hiomapyöröjen koosta. Hiomapyöröt jotka ulottuvat hiomalautasen ulkopuolelle, saattavat aiheuttaa loukkaantumista tai johtaa kiinnijoutumiseen, hiomapyörön repeytymiseen tai takaiskuun.

## ERITYISEN VARO-OHJEET KIILOTTUKSEEN

- a. Älä hyväksy mitään irtonaisia osia kiillotushupussa, esim. kiinnitysnauhja. Piilota tai tailyhennä kiinnitysnauhat. Irtonaiset pyörivät kiinnitysnauhat voivat tarttua sormeisi tai työkappaleeseen.

## ERITYISEN VARO-OHJEET TYÖSKENTELYYN TERÄSHARJAN KANSSA

- a. Ota huomioon, että teräsharjasta irtoaa lankoja myös normaalikäytössä. Älä ylikuormita lankoja käyttämällä liian suurta painetta työkappaletta vasten. Irti sinkoutuvat langan kappaleet voivat helposti tunkeutua ohuen vaateen tai ihon läpi.
- b. Jos suojusta suositellaan, tulee sinun varmistaa, ettei suojusta ja teräsharja voi koskettaa toisiaan. Lautas- ja kuppiharjojen halkaisijat voivat laajeta puristusaineen ja keskipakovoiman johdosta.
- c. Älä ylitä nopeutta 15000 min<sup>-1</sup> käyttäessäsi teräsharjoja.

### VAROITUS

Älä koskaan työstä asbestipitoista ainetta (asbestia pidetään karsinogeenisena).

### VAROITUS

Noudata suojoitoimenpiteitä, jos työssä saattaa syntyä terveydelle vaarallista, palavaa tai räjähdysallista pölyä (monia pölyjä pidetään karsinogeenisina); käytä pölynpuoroja ja pölyn-/lastunimua, jos se on liitettävissä.

## YMPÄRISTÖ

### HÄVITYS

Sähkötyökalu, lisätarvikkeet ja pakkaukset tulee toimittaa ympäristöstävälliseen uusiokäyttöön.

### KOSKEE VAIN EU-MAITA



Älä heitä sähkötyökaluja talousjätteisiin! Eurooppalaisen vanhoja sähkö- ja elektroniikkalaitteita koskevan direktiivin 2002/96/EY ja sen kansallisten lakien muunnosten mukaan, tulee sähkökelvottomat sähkötyökäluet kerätä erikseen ja toimittaa ympäristöstävälliseen uusiokäyttöön.

## TEKNISEN TIEDOT

### YLEISET TEKNISEN TIEDOT

Jännitearvot . . . . . 7,2 V  
Ampeerilukuarvot . . . . . 0,7 Ah  
Nopeus kuormittamattomana . .  $\Omega_0$  10000/20000 min<sup>-1</sup>  
Hylyskapasiteetti . . . . . 0,8 mm; 1,6 mm; 2,4 mm; 3,2 mm

### JATKOJHDOT

Käytä täysin suoritettua ja turvallista jatkojohtoa, jonka kapasiteetti on 5 ampeeria.

## KOKOAMINEN

KYTKE TYÖKALUN VIRTA AINA POIS PÄÄLTÄ ENNEN TARVIKKEIDEN TAI ISTUKKAHYLSYN VAIHTOA TAI TYÖKALUN HUOLTOA.

### YLEISTÄ

Dremel-multityökalu on laadukas tarkkuustyökalu, jota voi käyttää tarkkoihin ja monimutkaisiin töihin. Laaja Dremel-tarvikkeiden ja lisälaitteiden valikoima mahdollistaa monenlaisten töiden suorittamisen. Näitä ovat muunmuassa hiominen, veistäminen ja kaivertaminen sekä katkaisu, puhdistus ja kiillotus. KUVA 1

KUVA 2

- A. Istukkamutteri
- B. Istukkahylsy
- C. Rungon kärkikappale
- D. Karalukkopainike
- E. Softgrip-kädensija
- F. Tuuletusaukot
- G. Virtakatkaisin ja nopeussäädin
- H. Vapautuskieleke
- I. Akku
- J. Laturi

---

## TYÖKALUN LATAAMINEN

---

Johdoton yleistyökalu ei ole täydessä latauksessa. Työkalussa on vaihdettava akkupakkaus. Lataa akkupakkaus ennen ensimmäistä käyttöä.

Työkaluan lataaminen:

1. Siirrä virtakytkin "OFF"-asentoon.
2. Purista akun molemmiin puoliin olevia vapautuspainake ja irrota akku työkalusta.
3. Kohdistaa akun ulkoreuna laturin ulkoreunan muotoihin (akun nuolet osoittavat laturin nuoliin), paina vapautuspainake, työnnä akku laturiin ja vapautaa puristus läpistä, ja akku asettuu paikalleen.
4. Liitä laturi verkkovirtaan. Vihreä LED-valo osoittaa, että laturi on kytketty ja akku latautuu. Normaalisessa käytössä työkalu vaatii kolmen tunnin latausajan saavuttaakseen täyden latauksen. Kun lataus on valmis, laturin LED-valo sammuu.
5. Kun lataus on valmis, paina vapautuspainakkeita ja poista akku laturista.
6. Kohdistaa akun reunan muoto työkalukotelon reunan muodon kanssa. Purista vapautusläppiä, työnnä akku työkaluun ja vapautaa puristus, jotta akku asettuu paikalleen.

---

## TÄRKEÄÄ HUOMIOITAVAA LATAUKSESTA

---

1. Muutamalla ensimmäisellä latauskerralla akku hyväksyy vain noin 80 % maksimilatauksestaan. Kuitenkin muutaman latauskerran jälkeen se latautuu täyteen.
2. Laturi on suunniteltu akun pikalataukseen vain akun lämpötilan ollessa 4 °C - 41 °C.
3. Yhdellä latauksella saatavan käyttöajan huomattava lyheneminen saattaa tarkoittaa, että akun käyttöikä alkaa olla lopussa ja se tulee uusia.

*HUOMAA: Muiden kuin Dremelin myymien akkujen tai latureiden käyttö voi aiheuttaa takuun menetyksen.*

---

## ISTUKKAHYLSYT

---

Multityökaluun sopivissa Dremel-tarvikkeissa on eri varsiakokoja. Istukkahylsyjä on neljää eri kokoa ja ne sopivat eri kokosiin varsiin. Eri kokoiset istukkahylsyt tunnistaa hylsyn takana olevista renkaista.

KUVA 3

- L. 3,2 mm:n istukkahylsy ilman rengasta
- M. 2,4 mm:n istukkahylsy kolmella renkaalla
- N. 1,6 mm:n istukkahylsy kahdella renkaalla
- O. 0,8 mm:n istukkahylsy yhdellä renkaalla

Käytä aina istukkahylsyä, joka sopii sen lisävarusteen rungon kokoon, jota aiot käyttää. Älä pakota läpimitaltaan suurempaa karvanvartta pienempään istukkahylsyyn.

---

## ISTUKKAHYLSYN VAIHTAMINEN

---

KUVA 4

- P. Karalukkopainike
- Q. Istukka-avain
- R. Kiristäminen
- S. Löysääminen
- T. Istukkamutteri

1. Paina karalukkopainiketta, pidä alhaalla ja käännä karaa kädellä, kunnes se kiinnittyy varteen. *Älä kytke karalukkopainiketta, kun multityökalu on käynnissä.*
2. Pidä karalukkopainiketta alhaalla, kierrä auki ja irrota istukkamutteri. Käytä tarvittaessa istukka-avainta.
3. Poista istukkahylsy vetämällä se irti varresta.
4. Asenna sopivan kokoinen istukkahylsy täysin varteen ja laita istukkamutteri takaisin sormikireyteen. Älä kiristä mutteria täysin, ennen kuin terä tai tarvike on asennettu.

---

## TARVIKKEEN VAIHTAMINEN

---

KUVA 4

P. Karalukkopainike

1. Paina karalukkopainiketta ja käännä karaa kädellä, kunnes se kiinnittyy varsilukkoon. *Älä kytke karalukkopainiketta, kun multityökalu on käynnissä.*
2. Pidä karalukkopainiketta alhaalla, kierrä istukkamutteri auki (älä irrota). Käytä tarvittaessa istukka-avainta.
3. Työnnä terä tai tarvikevarsi täysin istukkahylsyyn.
4. Kun karalukkopainike on kytkettyntynyt, kiristä käsin istukkahylsyn mutteri, kunnes terä tai tarvikevarsi tarttuu istukkahylsyyn. Käytä istukka-avainta terän tai tarvikkeen kiinnitykseen istukkahylsyyn.

*HUOMAA: Muista lukea Dremel-tarvikkeen mukana toimitetut ohjeet, joista saat lisätietoja sen käytöstä.*

Käytä vain Dremelin testaamia, suorituskyykyisiä tarvikkeita.

---

## KÄYTÖN ALOITTAMINEN

---

---

### KÄYTÄ

---

Ensimmäinen askel multityökalun käytössä on saada siihen tuntumaa. Pidä sitä kädessäsi ja tunnustele sen painoa ja tasapainoa. Tunnustele kotelon kartiomallistaärkeä. Tämä mahdollistaa sen että työkalua voi pidellä kuten kynää. Kärsien ainutlaatuisen pehmeä kädensija parantaa mukavuutta ja hallintaa käytön aikana.

*Pitele työkalua aina pois päin kasvoistasi. Tarvikkeet voivat vahingoittaa käsittelyn aikana ja lennähtää irti nopeuden kasvaessa.*

*Kun pitelet työkalua, älä peitä ilmanpoistoaukkoja kädelläsi. Ilmanpoistoaukkojen peittäminen voi aiheuttaa moottorin ylikuumenemisen.*

**TÄRKEÄÄ** Harjoittele ensin johonkin jäännösmateriaaliin, jotta näet miten työkalun suuri nopeus käyttäytyy. Pidä mielessä, että multityökalu suoriutuu tehtävästään parhaiten, kun annat sen nopeuden sekä oikean Dremel-tarvikkeen ja lisälaitteen hoitaa työn puolestasi. Älä kohdistaa työkaluun painetta työskentelyn aikana, jos vain mahdollista. Laske sen sijaan pyöriä tarvike kevyesti työalustalle ja anna sen koskettaa kohtaa, josta haluat aloittaa. Keskity ohjaamaan työkalua työn yli ja käytä hyvin vähän voimaa. Anna lisävarusteen tehdä työ.

On yleensä parempi tehdä työkalulla muutamia vetoja sen sijaan, että yrittäisi tehdä koko työn yhdellä vedolla. Kevyt kosketus antaa parhaimman hallinnan ja vähentää virheen mahdollisuutta.

Saadaksesi parhaan kontrollin lähiytökentelyssä tartu multityökaluun kuten kynään peukalollasi ja etusormellasi. KUVA 6  
Golf-otetta käytetään raskaammissa töissä, kuten hionnassa ja katkaisussa. KUVA 7

## TYÖSKENTELYN OPEUDET

Tämä työkalu on suurinopeuksinen monitoimityökalu. Nopeudeksi voidaan asettaa 10000 tai 20000 min<sup>-1</sup>. Nopeuden säätäminen projektin mukaan tuottaa paremman tuloksen. Saat parhaat tulokset työskennellessäsi eri materiaalien kanssa, kun asetetat nopeuden työn mukaan. Käytä ensin harjoitusmateriaalia ja valitse sen perusteella oikea nopeus käytettävälle lisävarusteelle.

7,2 V:n NiCd-monityökalun kytkinasetukset on merkitty nopeussäätimeen.

Useimmat työt voidaan suorittaa käyttämällä työkalua sen nopeimmalla asetuksella. Joitkin materiaalit (tietty muovit ja metallit) voivat kuitenkin vahingoittaa suuren nopeuden kehittämästä kuumuudesta, ja niitä tulee työstää suhteellisen alhaisilla nopeuksilla. Pieni nopeus (15000 min<sup>-1</sup> tai alle) on yleensä paras kiillotuksessa, kun käytetään huopakiihottustarviketta. Kaikissa harjaustöissä käytetään alhaisempaa nopeutta, jotta voidaan välttää harjasten irtoamista kiinnityksestään. Anna työkalun tehon tehdä työ puolestasi, kun käytät pienempiä nopeusasetuksia. Suuremmat nopeudet sopivat paremmin kovalle puulle, metalleille ja lasille sekä poraukseen, veistoon, katkaisuun, jyrshintään, muotoiluun ja urien ja kuvioiden leikkaukseen puuhun.

Joitakin ohjeita työkalun kierrosnopeuksiin:

- Muovi ja muut materiaalit, jotka sulavat alhaisissa lämpötiloissa, tulisi leikata alhaisilla nopeuksilla.
- Kiillotus, hiominen ja puhdistaminen teräsharjalla täytyy tehdä nopeudella joka on alle 15000 min<sup>-1</sup>, jotta estetään harjan ja materiaalin vahingoittuminen.
- Puu tulisi leikata suurella nopeudella.
- Rauta tai teräs tulisi leikata suurella nopeudella.
- Jos suurinopeuksinen teräsleikkuri alkaa tärinästä, se tarkoittaa yleensä sitä, että se pyörii liian hitaasti.
- Alumiini, kupariseokset, lyijyseokset, sinkkiseokset ja tina voidaan leikata eri nopeuksilla riippuen tehtävästä leikkauksesta. Käytä parafiniina (ei vettä) tai muuta sopivaa voiteluainetta leikkurissa, jotta estät leikatun materiaalin tarttumisen leikkuriin teriin.

*HUOMAA: Paineen lisääminen työstökohdetta vasten ei ole oikea ratkaisu, jos työkalu ei toimi oikein. Kokeile toista tarviketta tai nopeutta saavuttaaksesi halutun tuloksen.*

## KUNNOSSAPITO

*Valtuuttamattomien henkilöiden suorittamat ennaltaehkäisevät huoltotoimet voivat johtaa sisäisten johtojen ja osien väärään sijoittamiseen, mikä voi aiheuttaa vakavan vaaran. Suosittelemme, että Dremelin huoltopalvelu suorittaa kaikki työkalun huoltotoimenpiteet. Vältä yllättävän käynnistymisen tai sähköiskun vaaraa kytkeällä työkalun virta pois ennen huoltoa tai puhdistusta.*

## TYÖKALUN PUHDISTAMINEN

KYTKE TYÖKALUN VIRTAA POIS ENNEN PUHDISTUSTA

Ilmanvaihtoaukot ja kytkimen vivut täytyy pitää puhtaina vieraista materiaaleista. Älä yritä puhdistaa aukkoja työntämällä niihin teräviä esineitä.

*Työkalun voi puhdistaa paineilmalla. Käytä aina suojalaseja kun puhdistat työkalua paineilmalla.*

Dremel-multityökalua ei tarvitse voidella.

*Tietyt puhdistusaineet ja liuotteet vahingoittavat muoviosia. Näitä ovat muun muassa: benssiini, hiilitetrakloridi, klooria sisältävät puhdistusliuotteet, ammoniakki sekä ammoniakkia sisältävät talouspuhdistusaineet.*

Puhdista työkalun tartuntakohdat kostealla liinalla. Pahimmat likaantuneet alueet saattavat vaatia useamman kuin yhden käsittelyn puhdistuakseen.

## HUOLTO JA TAKUU

Tällä DREMEL-tuotteella on lakisääteinen/maakohtaisten säännösten mukainen takuu; normaalia kulumisesta johtuvat vauriot, ylikuormitus ja väärä käsittely ovat tämän takuun ulkopuolella.

Jos tuotteeseen tulee vikaa, lähetä purkamaton työkalu yhdessä ostokuitin kanssa jälleenmyyjälle.

## DREMELIN YHTEYSTIEDOT

Lisätietoja Dremelin valikoimista, tuesta ja hotinesta saat osoitteesta [www.dremel.com](http://www.dremel.com)

Dremel Europe, P.O. Box 3267, 4800 DG Breda, Alankomaat

## ALGSETE JUHISTE TÖLGE

EST

## KASUTATUD SÜMBOLID



LUGEGE NEED JUHISED LÄBI



KASUTAGE KUULMEKAITSEID



KASUTAGE SILMAKAITSEID



KASUTAGE TOLMUMASKI

# ELEKTRILISE TÖÖRIISTA ÜLDISED OHUTUSHOIATUSED



## ⚠️ ETTEVAATUST

LUGEGE OHUTUSHOIATUSI JA KÕIKI JUHISEID.

Hoiatuste ja juhiste mittejärgmine võib põhjustada elektrilöögi, tulekahju ja/või tõsiseid vigastusi.

**Hoidke kõik hoiatused ja juhised hilisemaks kasutamiseks alles.**

Hoiatustes kasutatud termini „elektritööriist“ all peetakse silmas elektriga töötavaid (juhtmega) elektritööriistu või akuga töötavaid (juhtmata) elektritööriistu.

## TÖÖPIIRKONNA OHUTUS

- Hoidke tööpiirkond puhas ja korras.** Tööpiirkonnas valitsee segadus ja hämarus võib põhjustada õnnetusi.
- Ärge kasutage seadet plahvatusohtlikus keskkonnas, kus leidub tuleohtlikke vedelikke, gaase või tolmu.** Elektriliste tööriistadega töötamisel võivad tekkida sädemed, mis omakorda võivad tolmu ja auru süüdata.
- Elektrilise tööriista kasutamise ajal hoidke lapsed ja teised isikud tööpiirkonnast eemal.** Kui Teie tähelepanu juhitakse kõrvale, võib seade Teie kontrolli alt väljuda.

## ELEKTRIOHUTUS

- Seadme pistik peab pistikupessa sobima.** Pistikut ei tohi mingil viisil muuta. Ärge kasutage kaitsemaandusega seadmete puhul adapterpistikuid. Muutmata pistikud ja sobivad pistikupesad vähendavad elektrilöögi ohtu.
- Vältige kehakontakti maandatud pindadega, näiteks torude, radiaatorite, pliitide ja külmikutega.** Kui Teie keha on maandatud, on elektrilöögi oht suurem.
- Hoidke seadet vihma ja niiskuse eest.** Elektriseadmesse sattunud vesi suurendab elektrilöögi ohtu.
- Kasutage toitejuhet üksnes nõuetekohaselt.** Ärge kasutage toitejuhet seadme kandmiseks, ülesriputamiseks ega pistiku pistikupesast väljatõmbamiseks. Hoidke toitejuhet kuumuse, õli, teravate servade ja seadme liikuvate osade eest. Kahjustatud või keerduläänud toitejuhe suurendab elektrilöögi ohtu.
- Kui töötate elektrilise tööriistaga välistingimustes, kasutage ainult selliseid pikendusjuhtmeid, mis on ette nähtud välistingimustes kasutamiseks.** Välistingimustes kasutamiseks sobiv pikendusjuhe vähendab elektrilöögi ohtu.
- Kui elektrilise tööriista kasutamine niiskes keskkonnas on vältimatu, kasutage maandusega lekkevoolukaitset.** Maandusega lekkevoolukaitsme kasutamine vähendab elektrilöögi ohtu.

## INIMESTE OHUTUS

- Olge tähelepanelik, jälgige oma tegevust ning tegutsuge elektrilise tööriistaga töötades kaalutletult.** Ärge kasutage seadet, kui olete väsinud või uimastite, alkoholi või ravimite mõju all. Hetkeline tähelepanematus seadme kasutamisel võib põhjustada raskeid vigastusi.

- Kasutage isikukaitsevahendeid. Kandke alati kaitseprille.** Sobivate isikukaitsevahendite, näiteks tolmumaski, libisemiskindlate turvajalatsite, kaitsekiivri või kuulmiskaitsevahendite kasutamine vähendab vigastuste ohtu.
- Vältige seadme tahtmatut käivitamist.** Enne pistiku pistikupessa ühendamist veenduge, et lülitri on väljalülitatud asendis. Kui hoiate seadme kandmisel sõrme lülitri või ühendate vooluvõrku sisselülitatud seadme, võib see põhjustada õnnetusi.
- Enne seadme sisselülitamist eemaldage selle küljest reguleerimis- ja mutrivõtmed.** Seadme pöörleva osa küljes olev reguleerimis- või mutrivõti võib põhjustada vigastusi.
- Ärge hinnake end üle. Võtke stabiilne tööasend ja hoidke kogu aeg tasakaalu.** Nii saate seadet ootamatutes olukordades paremini kontrollida.
- Kandke sobivat rõivastust.** Ärge kandke laiu riideid ega ehteid. Hoidke juuksed, rõivad ja kindad seadme liikuvatest osadest eemal. Lotendavad riided, ehted või pikad juuksed võivad sattuda seadme liikuvate osade vahele.
- Kui on võimalik paigaldada tolmuemaldus- ja tolmukogumisseadiseid/seadmete, veenduge, et need on seadmega ühendatud ja et neid kasutatakse õigesti.** Nende seadiste/seadmete kasutamine vähendab tolmust põhjustatud ohte.

## ELEKTRILISTE TÖÖRIISTADE KÄSITSEMINE JA HOOLDAMINE

- Ärge koormake seadet üle.** Kasutage töö tegemiseks selleks ettenähtud elektrilist tööriista. Sobiva elektrilise tööriistaga töötate ettenähtud jõudluspiirides tõhusamalt ja ohutumalt.
- Ärge kasutage elektrilist tööriista, mille lülitri on rikkis.** Elektriline tööriist, mida ei saa enam lülitist sisse ja välja lülitada, on ohtlik ning tuleb toimetada parandusse.
- Tõmmake pistik pistikupesast välja ja/või eemaldage seadme aku enne seadme reguleerimist, tarvikute vahetamist ja seadme ärapanekut.** See ettevaatusabinõu väldib seadme tahtmatut käivitamist.
- Kasutusvälisel ajal hoidke elektrilise tööriistu lastele kättesaamatus kohas.** Ärge lubage seadet kasutada isikutel, kes ei ole kursis seadme tööpõhimõttega ega ole tutvunud käesolevate juhistega. Asjatundmatute kasutajate käes on elektrilised tööriistad ohtlikud.
- Hooldage seadet korralikult.** Veenduge, et seadme liikuvad osad töötavad korralikult ega kiildu kinni ja et seadme osad ei ole katki või kahjustatud määral, mis võiks mõjutada seadme veatut tööd. Laske kahjustatud osad enne seadme kasutamist parandada. Elektriliste tööriistade ebapiisav hooldus on paljude õnnetuste põhjuseks.
- Hoidke lõiketarvikud teravad ja puhtad.** Hästi hooldatud, teravate lõikeservadega lõiketarvikud kiilduvad harvemini kinni ja neid on lihtsam juhtida.
- Kasutage elektrilist tööriista, lisavarustust, tarvikuid jmt vastavalt siin toodud juhistele ning nii, nagu konkreetse mudeli jaoks ette nähtud.** Arvestage seejuures töötajate ja teostatava töö iseloomuga. Elektriliste tööriistade nõuetevastane kasutamine võib põhjustada ohtlikke olukordi.

## JUHTMETA ELEKTRITÖÖRIISTA KASUTAMINE JA HOOLDUS

- a. Kasutage tööriista laadimiseks ainult tootja poolt heaks kiidetud laadimisest. *Laadimisest, mis on sobiv ühe aku tüübi jaoks, võib teist tüüpi akude laadimisel olla ohtlik.*
- b. Kasutage elektritööriista ainult koos spetsiaalsete akudega. *Mitte-ettenähtud akude kasutamine võib tekitada kehalisi vigastusi või põhjustada tuleohtu.*
- c. Kui akut ei kasutata, siis hoidke see eemal metallesemetest nagu paberiklambrid, mündid, võtmed, naelad, kruvid või muud väiksed metallidetailid, et vältida akuklemme lühistamist. *Akuklemme lühistamine võib põhjustada põletusi või tulekahju.*
- d. Väärkasutuse korral võib akudest eralduda akuvedelikku; vältige kokkupuudet. *Akuvedeliku sattumisel kehale loputage kokkupuutekohta veega. Akuvedeliku sattumisel silma pöörduge arsti poole. Kokkupuude akuvedelikuga võib põhjustada nahaärritust või põletusi.*

## TEENINDUS

- a. Laske seadet parandada ainult kvalifitseeritud spetsialistidel, kes kasutavad originaalvaruosi. *Nii tagate seadme pideva ohutu töö.*

## OHUTUSJUHISED KÕIKIDEKS TÖÖOPERATSIOONIDEKS

### ÜHISED OHUTUSNÕUDED LIHVIMISEL, LIIVAPABERIGA LIHVIMISEL, TRAATHARJAGA TÖÖTLEMISEL, POLEERIMISEL JA LÕIKAMISEL

- a. Käesolev elektriline tööriist on ette nähtud lihvimiseks, liivapaberiga lihvimiseks, traatharjaga töötlemiseks, poleerimiseks ja lõikamiseks. Järgige kõiki tööriistaga kaasasolevaid hoiatusi, juhiseid, jooniseid ja tehnilisi andmeid. *Järgnevalt toodud juhiste eiramise tagajärjeks võib olla elektrilööki, tulekahju ja/või rasked vigastused.*
- b. Ärge kasutage lisatarvikuid, mis ei ole tootja poolt käesoleva elektrilise tööriista jaoks ette nähtud või soovitatud. *See, et saate lisatarvikut oma tööriista külge kinnitada, ei taga veel tööriista ohutut kasutust.*
- c. Kasutatava tarviku lubatud pöörete arv peab olema vähemalt sama suur nagu elektrilise tööriista maksimaalne pöörete arv. *Tarvik, mis pöörleb lubatust kiiremini, võib puruneda.*
- d. Tarviku läbimõõt ja paksus peavad ühtima elektrilise tööriista mõõtudega. *Valede mõõtmetega tarvikut ei kata kaitse piisaval määral.*
- e. Lihvkettad, seibid, lihvallad ja teised tarvikud peavad elektrilise tööriista spindliga täpselt sobima. *Ebasobivad tarvikud pöörlevad ebaühtlaselt, vibreerivad tugevalt ja võivad põhjustada kontrolli kaotuse tööriista üle.*
- f. Ärge kasutage vigastatud tarvikuid. *Iga kord enne kasutamist kontrollige, ega lihvketastel ei esine pragusid või murenenuid kohti, lihvalladel pragusid või kulunud kohti, traatharjadel lahtisi või murdunud*

- traate. *Kui elektriline tööriist või tarvik maha kukub, siis kontrollige, ega see ei ole vigastatud ning vajadusel võtke vigastatud tarviku asemel kasutusele vigastamata tarvik. Kui olete tarviku üle kontrollinud ja kasutusele võtnud, hoidke ennast ja lähedal viibivaid isikuid väljaspool pöörleva tarviku tasandit ja laske tööriistal töötada ühe minuti vältel maksimaalpöoretel. Selle testperioodi jooksul vigastatud tarvikud üldjuhul murduvad.*
- g. Kasutage isikukaitsevahendeid. *Kandke vastavalt kasutusotstarbele näokaitsemaski või kaitseprille. Vajadusel kandke tolmukaitsemaski, kuulmiskaitsevahendeid, kaitsekindaid või spetsiaalpole, mis kaitseb Teid lihvimisel eralduvate väikeste materjaliosakeste eest. Silmi tuleb kaitsta töödeldavast materjalist eralduvate kildude ja võõrkehade eest. Tolmu- ja hingamisteede kaitsemaskid peavad filtreerima tekkiva tolmu. Pikaajaline tugev müra võib kahjustada kuulmist.*
- h. Veenduge, et teised inimesed asuvad tööpiirkonnast ohutus kauguses. *Igakuks, kes tööpiirkonda siseneb, peab kandma isikukaitsevahendeid. Materjalist eralduvad killard või murdunud tarvikud võivad õhku paiskuda ning põhjustada vigastusi ka tööpiirkonnast väljaspool.*
- i. Kui on oht, et tarvik võib puutuda kokku varjatud elektrijuhtme või seadme enda toitejuhtmega, tuleb elektrilist tööriista hoida ainult isoleeritud käepidemest. *Kokkupuude pinge all oleva juhtmega võib tekitada pinge seadme metallosades ja põhjustada elektrilöögi.*
- j. Hoidke toitejuhe pöörlevatest tarvikutest eemal. *Kui kaotate kontrolli seadme üle, tekib toitejuhtme läbilõikamise või tarviku poolt kaasaaharamise oht ning Teie käsi võib pöörleva tarvikuga kokku puutuda.*
- k. Pange tööriist käest alles siis, kui tarvik on seiskunud. *Pöörlev tarvik võib alusega kokku puutuda, mille tagajärjel võite kaotada kontrolli tööriista üle.*
- l. Ärge transportige töötavat tööriista. *Teie rõivad võivad jääda pöörleva tarviku külge kinni ning tarvik võib tungida Teie kehasse.*
- m. Puhastage regulaarselt tööriista tulutusavasid. *Töötav mootor tõmbab korpusesse tolmu ning kogunev metallilõlm võib vähendada elektriohutust.*
- n. Ärge kasutage elektrilist tööriista süttivate materjalide läheduses. *Sädemete tõttu võivad taolisest materjalid süttida.*
- o. Ärge kasutage tarvikuid, mille puhul on vaja kasutada jahutusvedelikke. *Vee või teiste jahutusvedelike kasutamine võib põhjustada elektrilööki.*

## TAGASILÖÖK JA ASJAOMASED OHUTUSNÕUDED

Tagasilööki on kinnikiildunud pöörlevast tarvikust, näiteks lihvketast, lihvallast, traatharjast vmt põhjustatud järsk reaktsioon. Kinnikiildumine põhjustab pöörleva tarviku äkilise seiskumise. See omakorda tingib seadme kontrollimatut liikumise tarviku pöörlemissuunaga vastupidises suunas. Lihvketta kinnikiildumise tagajärjeks võib olla lihvketta murdumine või tagasilööki. Lihvketas liigub siis sõltuvalt ketta pöörlemissuunast kas tööriista kasutaja suunas või kasutajast eemale. Seejuures

võivad lihvkettaga ka murduda. Tagasilöök on seadme vale või ebaõige kasutuse tagajärg. Tagasilööki saab ära hoida, kui rakendada järgnevalt kirjeldatud sobivaid ettevaatusabinõusid.

- a. **Hoidke elektrilist tööriista tugevasti ja viige oma keha ja käed asendisse, milles saate tagasilöögiõudude vastu astuda. Kasutage alati võimaluse korral lisakäepidid (kui see on olemas), saavutamaks tagasilöögiõudude või reaktsoonimomentide üle võimalikult suurt kontrolli.**  
*Seadme kasutaja saab sobivate ettevaatusabinõude rakendamisega tagasilöögi- ja reaktsoonijõudusid kontrollida.*
- b. **Ärge viige oma kätt kunagi pöörlevate tarvikute lähedusse. Tarvik võib tagasilöögi puhul riivata Teie kätt.**
- c. **Vältige oma kehaga piirkonda, kuhu seade tagasilöögi puhul liigub. Tagasilöök paiskab seadme lihvketta liikumissuunale vastassuunas.**
- d. **Töötage eriti ettevaatlikult nurkade, teravate servade jmt piirkonnas. Vältige tarviku tagasipõrkumist toorikult ja toorikusse kinnijäämist. Pöörlev tarvik kaldub nurkades, teravates servades ja tagasipõrkumise korral kinni kiilduma. See põhjustab kontrolli kaotuse tööriista üle või tagasilöögi.**
- e. **Ärge kasutage kett- ega hammastatud ketast. Sellised tarvikud põhjustavad tihti tagasilöögi või kontrolli kaotuse seadme üle.**

## TÄIENDAVALD OHUTUSNÕUDED LIHVIMISEL JA LÕIKAMISEL

- a. **Kasutage alati konkreetse seadme jaoks ette nähtud lihvimistarvikut ja konkreetse lihvimistarviku jaoks ette nähtud kettakaitset. Kettakaitse ei kata lihvimistarvikuid, mis ei ole tööriista jaoks ette nähtud, piisaval määral ning need on ohtlikud.**
- b. **Lihvimistarvikuid tohib kasutada üksnes otstarbel, milleks need on ette nähtud. Kunagi ei tohi lihvimiseks kasutada lõikeketta külgpinda. Lõikekettad on ette nähtud materjali lõikamiseks ketta servaga. Külgsuunas avaldud jõud võib lõikeketta purustada.**
- c. **Kasutage alati valitud lihvketta jaoks sobiva suuruse ja kujuga kinnitusflantsi. Sobivad flantsid kaitsevad lõikeketast ja hoiavad ära lihvketta purunemise ohtu. Lõikeketta flantsid võivad lihvketaste flantsidest erineda.**
- d. **Ärge kasutage suuremate elektriliste tööriistade kulunud lihvkettaid. Suuremate elektriliste tööriistade lihvkettagid ei sobi kasutamiseks väiksemate elektriliste tööriistade kõrgemal pööratel ning võivad puruneda.**

## TÄIENDAVALD OHUTUSNÕUDED LÕIKAMISEL

- a. **Vältige lõikeketta kinnikiildumist ja ärge avaldage lõikekettale liigset survet. Ärge tehke liiga sügavaid lõikeid. Lõikekettale avaldud liigne koormus suurendab lõikeketta kulumist ja kalduvust kinnikiildumiseks, mistõttu suureneb ka tagasilöögi või lihvketta purunemise oht.**
- b. **Vältige pöörleva lõikeketta ette ja taha jäävat piirkonda. Kui juhite lõikekettaga toorikut endast eemale, võib tööriist koos pöörleva kettaga lennata tagasilöögi korral otse Teie suunas.**

- c. **Kui lõikeketas kinni kiildub või kui Te töö katkestate, lülitage tööriist välja ja hoidke seda enda kontrolli all seni, kuni lõikeketas seiskub. Ärge kunagi püüdke veel pöörlevat lõikekettaga lõikejoonest välja tõmmata, kuna vastasel korral võib toimuda tagasilööki. Tehke kindlaks ja kõrvaldage kinnikiildumise põhjus.**
- d. **Ärge lülitage tööriista uuesti sisse, kui tarvik asub veel toorikus. Enne lõikeprotsessi ettevaatlikku jätkamist laske lõikekettal jõuda maksimaalsetele pöörtele. Vastasel korral võib lõikeketas kinni kiilduda, toorikust välja hüpata või tagasilöögi põhjustada.**
- e. **Toestage plaadid ja suured toorikud, et vältida kinnikiildunud lõikekettaga põhjustatud tagasilöögi ohtu. Suured toorikud võivad omaenda raskuse all läbi painduda. Toorik tuleb toetada mõlemalt poolt, nii lõikejoone lähedalt kui servast.**
- f. **Olge eriti ettevaatlik sisselõigete tegemisel olemasolevasse seintesse või teistesse varjatud piirkondadesse. Lõikeketas võib tabada gaasi- või veetorusid, elektrijuhtmeid või teisi objekte, mille tagajärjeks võib olla tagasilööki.**

## TÄIENDAVALD OHUTUSNÕUDED LIHVIMISEL

- a. **Ärge kasutage lihvimiskettal liiga suurt paberit. Ärge kasutage liiga suuri lihvipabereid. Järgige tootja juhiseid lihvipaberi suuruse kohta. Üle lihvitala ulatuvad lihvipaberid võivad põhjustada vigastusi, samuti lihvipaberi kinnijäämist, rebenemist või tagasilööki.**

## TÄIENDAVALD OHUTUSNÕUDED POLEERMISEL

- a. **Veenduge, et poleerkettal ei oleks lahtisi osi, esmajoones kinnitusnõore. Peitke või lühendage kinnitusnõordi. Lahtised kaasapöörlevad kinnitusnõordi võivad Teie sõrmed kaasa haarata või toorikusse kinni jääda.**

## TÄIENDAVALD OHUTUSNÕUDED TÖÖTAMISEL TRAATHARJADEGA

- a. **Pidage silmas, et traatharjast eraldub ka tavalise kasutuse käigus traaditükke. Ärge koormake traate üle, avaldades neile liigset survet. Eemalepaiskuvad traaditükid võivad kergesti tungida läbi õhukeste riiete ja/või naha.**
- b. **Kui on soovitatav kasutada kettakaitset, siis tuleb ära hoida kettakaitse ja traatharja kokkupuute võimalus. Taldrik- ja kaussharjade läbimõõt võib avaldatava surve ja tsentrifugaaljõudude toimel suureneda.**
- c. **Traatharjaga töötamisel ärge kasutage suuremat kiirust kui 15000 pöört minutis.**

**▲ ETTEVAATUST** Ärge töödelge asbesti sisaldavat materjali (asbest võib tekitada vähki).

**▲ ETTEVAATUST** Rakendage kaitseabinõusid, kui töötamisel võib tekkida tervistkahjustavat, süttimis- või plahvatusohtlikku tolmu (teatud liiki tolm võib tekitada vähki); kandke tolmukaitsemaski ja võimaluse korral ühendage seade tolmuimejaga.

## KESKKOND

### UTILISEERIMINE

Elektrilised tööriistad, lisatarvikud ja pakend tuleks keskkonnasäästlikult ringlusse võtta.

### ÜKSNES ELI LIKMESRIIKIDELE



Ärge käidelda elektrilisi tööriistu koos olmejäätmetega! Vastavalt Euroopa Parlamendi ja nõukogu direktiivile 2002/96/EÜ elektri- ja elektroonikaseadmete jäätmete kohta ning selle ülevõtmisele liikmesriikide õigusesse tuleb kasutusressursi ammendanud elektrilised tööriistad eraldi kokku koguda ja keskkonnasäästlikult ringlusse võtta.

## TEHNILISED ANDMED

### ÜLDISED ANDMED

Pinge ..... 7,2 V  
Mahtuvus ..... 0,7 Ah  
Tühikäigupöörded .....  $n_0$  10000/20000 min<sup>-1</sup>  
Tsang ..... 0,8mm, 1,6mm, 2,4mm, 3,2mm

### PIKENDUSJUHE

Kasutage üksnes täielikult lahti keritud ja kahjustusteta 5 A pikendusjuheta.

## MONTAAŽ

ENNE TARIKUTE VÕI TSANGI VAHETAMIST JA SEADME HOOLDAMIST LÜLITAGE SEADE ALATI VÄLJÄ.

### ÜLDTEAVE

Dremeli multifunktsionaalne seade Multitool on tööriist ülisuurt täpsust nõudvate tööde tegemiseks. Dremeli tarvikute ja otsakute lai valik võimaldab seadet kasutada väga erinevateks töödeks.

Need hõlmavad näiteks lihvimist, freesimist, graveerimist, lõikamist, puhastamist ja poleerimist.

JOONIS 1

JOONIS 2

- Tsangi mutter
- Tsang
- Korpuse kate
- Spindlielukustusnupp
- Käepide
- Ventilatsioonivad
- On/off-lüliti ja kiirusevalits
- Vabastusnupp
- Aku
- Laadimiseseade

## SEADME AKU LAADIMINE

Seadme aku ei ole täis laetud. Seade on varustatud eemaldatava akuga. Enne esmakordset kasutamist tuleb aku täis laadida.

Aku laadimiseks toimige järgnevalt:

- Viige lüliti asendisse "OFF". JOONIS 2
- Vajutage seadme mõlemal küljel olevatele vabastusklahvidele ja eemaldage aku seadme küljest. JOONIS 2
- Seadke aku akulaadimiseseadmega ühele joonele (akul laetud nooled on ühel joonel akulaadimiseseadmel olevate joontega), vajutage vabastusklahvidele, asetage aku laadimiseseadmesse ja vabastage vabastusklahvid, lastes akul laadimiseseadmes lukustuda.
- Ühendage akulaadimiseseade vooluvõrguga. Roheline LED-tuli annab märku ühenduse olemasolust ja aku laadimine algab. Tavakasutusel kulub aku täislaadimiseks 3 tundi. LED-tuli kustub, kui aku on laetud.
- Kui laadimine on lõppenud, vajutage vabastusklahvidele ja eemaldage aku laadimiseseadest.
- Seadke aku seadme korpusega ühele joonele. Vajutage vabastusklahvidele, asetage aku seadmesse, vabastage klahvid ja laske akul lukustuda.

### OLULISED LAADIMISJUHISED

- Esimeste laadimistsükli ajal laetakse aku täis üksnes 80% ulatuses. Pärast paari esimest laadimistsüklit laetakse aku täiesti täis.
- Akulaadimiseseade on ette nähtud kiirlaadimiseks üksnes siis, kui aku temperatuur on vahemikus 4°C kuni 41°C.
- Tööaja oluline lühenemine ühe akulaadimise kohta näitab, et aku kasutusressurs on ammendunud ja et aku tuleb välja vahetada.

**MÄRKUS:** Muude kui Dremeli akulaadimiseseadmete ja akude kasutamisel kustub seadmele antud garantii.

### TSANGID

Dremeli Multitool tarvikute saba läbimõõt on erinev.

Eri läbimõõtude jaoks on saadaval neli tsangi. Tsangi suurus on tuvastatav tsangi tagaküljel asuvate rõngaste abil.

JOONIS 3

- 3,2 mm tsang ilma rõngata
- 2,4 mm tsang kolme rõngaga
- 1,6 mm tsang kahe rõngaga
- 0,8 mm tsang ühe rõngaga

Kasutage alati tarviku saba läbimõõduga sobivat tsangi. Ärge kunagi suruge suurema läbimõõduga tarviku saba jõuga väiksemasse tsangi.

### TSANGIDE VAHETAMINE

JOONIS 4

- Spindlielukustusnupp
- Tsangi võti
- Pingutada
- Vabastada
- Tsangi mutter

1. Vajutage spindlilukustusnupp alla, hoidke seda all ja keerake tarviku saba käega kinni. *Ärge kunagi käsitsege spindlilukustusnuppu siis, kui seade töötab.*
2. Hoidke spindlilukustusnuppu all, keerake lahti tsangi mutter ja eemaldage see. Vajaduse korral kasutage tsangi võtit.
3. Tõmmake tsang spindliit maha.
4. Asetage soovitud suurusega tsang täielikult spindlisse ja keerake see tsangi mutriga kergelt kinni. *Ärge pingutage mutrit kunagi täielikult kinni, kui tarvikut ei ole paigaldatud.*

## TARVIKUTE VAHETAMINE

### JOONIS 4

#### P. Spindlilukustusnupp

1. Vajutage spindlilukustusnupp alla, hoidke seda all ja keerake tarviku saba käega kinni. *Ärge kunagi käsitsege spindlilukustusnuppu siis, kui seade töötab.*
2. Hoidke spindlilukustusnuppu all, keerake lahti tsangi mutter (ärge eemaldage seda). Vajaduse korral kasutage tsangi võtit.
3. Lükake tarviku saba täielikult tsangi.
4. Hoidke spindlilukustusnuppu all ja keerake tsangi mutrit käega, kuni tsang haakub tarviku sabaga. Tarviku kinnitamiseks tsangi kasutage tsangi võtit.

**MÄRKUS:** Järgige tingimata ka asjaomase tarviku kasutusjuhiseid ja ohutusnõudeid.

Kasutage üksnes Dremeli poolt testitud kvaliteetseid tarvikuid.

## KÄIVITAMINE

### KÄSITSEMINE

Esmlt peaksite omandama seadme suhtes teatud tunnetuse. Võtke seade kätte ja tunnetage selle kaalu ja raskuskeset. Pöörake tähelepanu korpuse kujule. See lubab hoida seadet käes nagu sulepead või pliatsit. Ainulaadne pehmed seadme otsas tagab mugava käsitsemise ja parema kontrolli.

*Hoidke seadet alati oma näost eemal. Ebasoodsatel asjaoludel võivad vigastatud tarviku osad kõrgetel pööretel eralduda ja eemale paiskuda.*

*Hoidke seadet nii, et te ei kata käega kinni seadme ventilatsiooniväsiid. Ventilatsiooniväside kinnikatmise korral võit mootor üle kuumeneda.*

**OLULINE!** Testige seadet kõigepealt proovidetailil, et saada ülevaadet sellest, kuidas seade kõrgetel pööretel käitub. Parimad tulemused saavutate siis, kui kasutate õiget pöörete arvu ja sobivaid Dremeli tarvikuid ning otsakuid. Ärge rakendage liigest liigest. Asetage tarvik ettevaatlikult tööpinna sellele kohale, kust soovite töötlemist alustada. Keskenduge tarviku juhtimisele mõõda tööpinna, rakendades seadmele vaid väikest survet. Laske tarvikul endal töö ära teha. Üldjuhul saavutate paremaid tulemusi siis, kui juhite seadet üle pinna mitte ühe, vaid mitu korda. Pealegi on Teil mõõduka surve korral seade paremini kontrolli alla ning vigade oht on väiksem. Täpse töö tegemiseks tuleb seadet hoida nagu pliatsit pöidla ja nimetissõrme vahel. JOONIS 6

Golfikepimeetod on ette nähtud kasutamiseks raskemate tööde, näiteks lihvimise ja lõikamise puhul. JOONIS 7

## PÖÖRETE ARV

Seade on suurel kiirusel töötav mitlitööriist. Selle kiirus saab reguleerida vahemikus 10000 kuni 20000 pööret minutis. Kiiruse kohandamine lähtuvalt käsitsevat tööst annab parema lõpptulemuse. Parimate tulemuste tagamiseks erinevate materjalidega töötamiseks valige töö jaoks sobiv kiirus. Kasutatava lisaseadme jaoks õige kiiruse leidmiseks katsetage alati esmalt vanametalli tüki.

7,2V Ni-Cd mitlitööriista lüliti sätetud pöörete regulaatorile.

Enamikku töid saab teha maksimaalsetel pööretel. Mõned materjalid (teatud plastid ja metallid) võivad aga kõrgetel pööretel tekkiva kuumuse tõttu kahjustuda ja neid tuleks seetõttu töödelda madalamatel pööretel. Madalamad pöörded (15000 min<sup>-1</sup> või vähem) sobivad üldjuhul poleerimiseks vildist poleerimistarvikutega. Harjadega töötlemisel tuleb samuti valida madalamad pöörded, et vältida harjaste ja traatide lähtulekut. Ka madalamatel pööretel tuleks töötada liigse surveveta. Kõrgemad pöörded sobivad kõva puidu, metalli ja klaasi töötlemiseks, samuti puurimiseks, lõikamiseks, freesimiseks, vormimiseks ja soonte lõikamiseks puitu.

Mõned pöörete arvu kohta käivad soovitusid:

- Plaste ja teisi madalama sulamispunktiga materjale tuleks töödelda madalatel pööretel.
- Traatharjaga poleerida, peenlihvida ja puhastada tohib pööretel kuni 15000 min<sup>-1</sup>, et vältida harja ja materjali kahjustumist.
- Lõiketöid puidus tuleb teha kõrgetel pööretel.
- Lõiketöid rauas ja terases tuleb teha kõrgetel pööretel.
- Asjaolu, et suure pöörete arvuga terasfrees hakkab vibreerima, näitab tavaliselt seda, et frees töötab liiga aeglaselt.
- Alumiiniumi, vase-, plii-, tsingsulameid ja tina võib sõltuvalt konkreetsest tööst töödelda erinevatel pööretel. Määrige lõiketarvikut parafiini või mõne muu sobiva määrdega (mitte veega), et vältida laastude kinnikeepumist tarviku lõikeservade külge.

**MÄRKUS:** Seadmele avaldatav suurem surve ei paranda töötulemust. Soovitud tulemuse saavutamiseks kasutage mõnda teist tarvikut või reguleerige pöörete arvu.

## HOOLDUS

*Vigastuste ja/või ohtude ennetamiseks tohivad hooldus- ja parandustöid teha ainult volitatud isikud. Soovitame lasta hooldus- ja parandustöid teha üksnes Dremeli volitatud parandustöökojas. Et vältida juhuslikust sisselülitamisest põhjustatud vigastusi ja elektrilööke, tuleb seade enne hooldus- ja parandustööde teostamist alati välja lülitada.*

## SEADME PUHASTAMINE

ENNE PUHASTAMIST LÜLITAGE SEADE VÄLJA



Ventilatsiooniavad ja lülitid peavad olema alati puhtad. Ärge torgake puhastamiseks avadesse mingeid esemeid. Seadet võib puhastada suruõhuga. Suruõhuga puhastades kandke alati kaitseprille.

Dremeli seadet ei ole vaja määrada.

Teatud puhastusvahendid ja lahused võivad seadme plastdetailide kahjustada. Nendeks on näiteks bensiin, süsivesiniketrakloriid, kloor või ammoniaak.

Puhastage tööriista "haaramiskohad" niiske lapiga. Väga määrdundud kohti tuleb vajaduse korral üle pühkida mitu korda.

## TEENINDUS JA GARANTII

Käesoleva DREMELI toote suhtes kehtib garantii vastavalt kasutusriigis kehtivatele nõuetele. Garantii ei laiene normaalsest kulumisest, ülekoormusest ja seadme ebaõigest kasutamisest põhjustatud kahjustustele.

Kaabuste korral saatke palun *lahtivõtmata seade* koos ostukviitungiga lähimasse lepingulisse töökotta.

## DREMELI KONTAKTINFO

Lisateavet Dremeli kohta leiате veebisaidilt [www.dremel.com](http://www.dremel.com)

Dremel Europe, P.O. Box 3267, 4800 DG Breda, Holland

## ORIGINALIŲ INSTRUKCIJŲ VERTIMAS

### NAUDOJAMI SIMBOLIAI



**PERSKAITYKITE ŠIAS INSTRUKCIJAS**



**DĖVĖKITE AUSŲ APSAUGAS**



**DĖVĖKITE AKIŲ APSAUGAS**



**DĖVĖKITE KAUKĘ NUO DULKIŲ**

## BENDRIEJI ELEKTRINIO ĮRANKIO SAUGOS PERSPĖJIMAI



**⚠ ĮSPĖJIMAS** PERSKAITYKITE VISUS SAUGOS PERSPĖJIMUS IR VISAS INSTRUKCIJAS.

Jeigu nesilaikysite perspėjimų ir instrukcijų, tai gali sukelti elektros šokrovą, ugnį ir / ar rimtų sužeidimų.

**Visus perspėjimus ir instrukcijas išsaugokite ateičiai.**

Terminas „elektrinis įrankis“ visuose toliau pateiktuose

perspėjimuose reiškia maitinamą iš elektros lizdo (laidinį) arba akumuliatoriaus (belaidį) elektrinį įrankį.

## DARBO VIETOS SAUGA

- Darbo vieta turi būti švari ir gerai apšviesta.** Netvarkingose ir neapšviestose vietose gali įvykti nelaimingas atsitikimas.
- Elektrinių įrankių nenaudokite sprogioje aplinkoje. Pavyzdžiui ten, kur yra greitai užsiliepsnojančių skysčių, dujų arba dulkių.** Naudojant elektrinius įrankius, jie kibirkščiuoja, todėl dulkės arba susikaupę garai gali užsiliepsnoti.
- Dirbdami su elektriniu įrankiu neleiskite prisitarti vaikams ir pašaliniams asmenims.** Jeigu jūsų dėmesys bus blaškomas, galite nebesuvaldyti įrankio.

## ELEKTROSAUGA

- Elektrinio įrankio kištukai turi atitikti elektros lizdą. Draudžiama bet kokių būdu keisti kištuką. Dirbdami su žemintais elektriniais įrankiais nenaudokite kištukų adapterių.** Elektros smūgio tikimybę sumažinsite naudodami nepakeistus kištukus ir juos atitinkančius lizdus.
- Stenkitės neprisiesti prie žemintų paviršių, pavyzdžiui, vamzdžių, radiatorių, viryklių ar šaldytuvų.** Jeigu jūsų kūnas bus žemintas, elektros smūgio tikimybė bus didesnė.
- Saugokite elektrinius įrankius nuo lietaus ir drėgmės.** Jeigu į elektrinį įrankį pateks vandens, padidės elektros smūgio tikimybė.
- Nenaudokite laido ne pagal paskirtį. Jokių būdu elektrinio įrankio neneškite, netempkite ir iš lizdo netraukite už laido. Laidą saugokite nuo karščio, alyvos, aštrių briaunų ar judančių dalių.** Elektros smūgio tikimybė padidėja, jei naudojamas pažeistas arba susimazgęs laidas.
- Kai dirbate su elektriniu įrankiu lauke, naudokite ilginamąjį laidą, tinkamą naudoti lauko sąlygomis.** Kai naudojamas darbui lauke skirtas laidas, sumažėja elektros smūgio tikimybė.
- Jei su elektriniu įrankiu neišvengiamai reikia dirbti drėgnoje aplinkoje, naudokite žemiminimo grandinės pertraukiklį.** Naudojant žemiminimo grandinės pertraukiklį, sumažėja elektros smūgio pavojus.

## ŽMONIŲ SAUGA

- Naudodami elektrinį įrankį būkite budrūs, stebėkite, ką darote, ir vadovaukitės sveiku protu.** Elektrinio įrankio nenaudokite, jeigu esate pavargę, apsaivę nuo narkotikų, alkoholio ar vaistų. Tereikia tik akimirka nukreipti dėmesį dirbant su elektriniais įrankiais ir galite sunkiai susižeisti.
- Naudokite saugos priemones. Būtinai užsidėkite akių apsaugą.** Tokios saugos priemonės kaip kaukė nuo dulkių, batai neslidžiais padais, apsauginis šalmas ar klausos apsaugos priemonės, naudojami atitinkamomis sąlygomis, sumažins traumų tikimybę.

- c. Saugokitės, kad neįjungtumėte prietaiso netyčia. Prieš įjungdami į lizdą patikrinkite, ar jungiklis yra padėtyje "off". Jeigu elektrinį įrankį nešite ant jungiklio uždėję pirštą arba bandysite įrankį prijungti prie elektros tinklo, kai jungiklis yra padėtyje "on", galite susižeisti.
- d. Prieš įjungdami elektrinį įrankį, nuimkite visus reguliavimo raktus ir veržliarakčius. Jeigu ant besisukančios elektrinio įrankio dalies bus paliktas uždėtas veržliaraktis arba raktas, galite susižeisti.
- e. Nepervertinkite savo jėgų. Visada stovėkite tvirtai ir išlaikykite pusiausvyrą. Taip galėsite geriau suvaldyti įrankį nenumatytoje situacijoje.
- f. Vilkėkite tinkamą aprangą. Nevilkėkite plačių drabužių ir papuošalų. Saugokitės, kad judančios dalys neprisiliestų prie plaukų, drabužių ar pirštinių. Plačius drabužius, papuošalus ar ilgus plaukus gali įtraukti besisukančios dalys.
- g. Jei yra numatyta galimybė prijungti dulkių nusiurbimo ar surinkimo įrenginius, visada įsitikinkite, ar jie yra prijungti ir ar tinkamai naudojami. Naudojant dulkių nusiurbimo įrenginius sumažėja dulkių keliamas pavojus.

---

## ELEKTRINIO ĮRANKIO NAUDOJIMAS IR PRIEŽIŪRA

---

- a. Neperkraukite prietaiso. Naudokite jūsų darbui tinkamą elektrinį įrankį. Su tinkamu elektriniu įrankiu darbą atlikite geriau ir saugiau, jei naudosite jį gamintojo numatytoje galios diapazone.
- b. Elektrinio įrankio nenaudokite, jei neveikia jungiklis. Bet kuris elektrinis įrankis, kurio negalima valdyti jungikliu, yra pavojingas ir jį būtina remontuoti.
- c. Prieš reguliuodami prietaisą, keisdami darbo įrankius ar prieš valydamis prietaisą, iš elektros tinklo lizdo ištraukite kištuką ir/arba išimkite akumuliatorių. Šios prevencinės saugos priemonės sumažina netyčinio elektrinio įrankio įjungimo riziką.
- d. Nenaudojamus elektrinius įrankius laikykite vaikams nepasiekiamoje vietoje, taip pat neleiskite asmenims, nemokantiems dirbti su elektriniu įrankiu arba nesuspajūsiusiems su šiomis instrukcijomis, naudotis elektriniu įrankiu. Elektriniai įrankiai yra pavojingi, kai juos naudoja neapmokyti asmenys.
- e. Prižiūrėkite elektrinius įrankius. Patikrinkite, ar judančios dalys nepasislinkusios arba nejstrigusios, ar nėra sulūžusių dalių ar kitų gedimų, kurie gali turėti įtakos elektrinio įrankio veikimui. Pastebėję gedimų, elektrinį įrankį sutvarkykite prieš naudodami. Daugybė nelaimingų atsitikimų įvyksta dėl netvarkingų elektrinių įrankių.
- f. Pjovimui skirti įrankiai turi būti aštrūs ir švarūs. Jeigu pjovimo įrankiai su aštriomis pjaunamosiomis briaunomis tinkamai prižiūrimi, jie rečiau stringa ir juos lengviau valdyti.
- g. Elektrinį įrankį, jo priedus, dalis ir pan. naudokite laikydamiesi šių instrukcijų ir pagal konkrečiam elektriniam įrankiui numatytą paskirtį, atsižvelgdami į darbo sąlygas ir atliekamą darbą. Jeigu elektrinis įrankis naudojamas ne pagal paskirtį, gali susidaryti pavojinga situacija.

---

## IŠ AKUMULIATORIAUS MAITINAMŲ ĮRANKIŲ NAUDOJIMAS IR PRIEŽIŪRA

---

- a. Įkraukite akumuliatorių tik gamintojo pateiktu įkrovikliu. Universalus bet kuriam įrankiui tinkantis įkroviklis gali kelti riziką arba sukelti gaisrą, kai jį įdėsite krautis kito tipo akumuliatorių.
- b. Naudokite elektrinius įrankius tik su specialiai jiems sukurtais akumuliatoriais. Jei naudosite kitus akumuliatorius, yra rizika apsideginti arba kitaip susižeisti.
- c. Kai akumuliatorius nenaudojamas, jį laikykite toliau nuo kitų metalinių objektų, pvz.: popieriaus segtukų, monetų, vinių, varžtų arba kitų objektų, galinčių sujungti vieną terminalą su kitu. Jei įvyksta dviejų terminalų trumpinimas, galite apsideginti arba susižeisti.
- d. Išskirtinėmis aplinkybėmis iš akumuliatoriaus gali išbėgti skystis, todėl venkite prie jo prisiliesti. Jei įvyko nelaimingas atsitikimas, nuplaukite skystį vandeniu. Jei skystis patenka į akis, kreipkitės į mediką. Iš akumuliatoriaus išbėgęs skystis gali sudirginti arba nudeginti akis.

---

## TECHNINIS APTARNAVIMAS

---

- a. Elektrinį įrankį turi remontuoti tik kvalifikuoti specialistai ir naudoti tik originalias atsargines dalis. Taip galima garantuoti, jog elektrinis įrankis išliks saugus naudoti.

---

## DARBŲ SAUGOS NUORODOS VISIEMS DARBAMS

---

### BENDROS SAUGOS NUORODOS, SUSIJUSIOS SU VISAIS ŠLIFAVIMO, POLIRAVIMO IR PJOVIMO DARBAIS

---

- a. Šį elektrinį prietaisą galima naudoti kaip šlifavimo mašiną, skirtą šlifuoti abrazyviniais diskais, šlifavimo popieriumi, vieliniais šepetėliais, poliravimo mašiną bei pjaustymo mašiną. Griežtai laikykitės visų išpėjamųjų nuorodų, taisyklių, ženklų ir užrašų, kurie yra pateikiami su šiuo prietaisu, reikalavimų. Jei nepaisysite toliau pateiktų nuorodų, gali kilti elektros smūgio, gaisro ir/arba sunkių sužalojimų pavojus.
- b. Nenaudokite jokių priedų ir papildomos įrangos, kurių gamintojas nėra specialiai numatęs ir rekomendavęs šiam elektriniam prietaisui. Vien tik tas faktas, kad Jūs galite pritvirtinti kokį nors priedą prie Jūsų elektrinio prietaiso, jokių būdu negarantuoja, kad juo bus saugu naudotis.
- c. Naudojamų darbo įrankių maksimalus leistinas apsisukimų skaičius turi būti ne mažesnis, nei maksimalus sukūjų skaičius, nurodytas ant elektrinio prietaiso. Jei įrankis sukasi greičiau, nei leistina, jis gali subyrėti.
- d. Naudojamo darbo įrankio išorinis diametras ir storis turi atitikti nurodytuosius Jūsų elektrinio prietaiso parametrus. Netinkamų matmenų įrankius gali būti sunku tinkamai apsaugoti bei valdyti.

- e. Šlifavimo diskai, flanšai, šlifavimo žiedai ar kiti darbo įrankiai turi tiksliai tikti elektrinio prietaiso šlifavimo sukliui. Darbo įrankiai, kurie netiksliai užsimauna ant šlifavimo suklio, sukasi netolygiai, labai stipriai vibruoja ir dėl to prietaisas gali tapti nevaldomas.
- f. Nenaudokite pažeistų darbo įrankių. Prieš kiekvieną naudojimą patikrinkite tokius įrankius, kaip abrazyviniai diskai, ar jie nėra aplūžinęję arba įtrūkę, šlifavimo žiedus - ar jie nėra įtrūkę, susidėvėję ar nudilę, violinius šepelius - ar jų vielutės nėra atsilaisvinę ar nutrukę. Jei elektrinis prietaisas arba darbo įrankis nukrito iš didesnio aukščio, patikrinkite, ar jis nėra pažeistas, arba iš karto sumontuokite kitą - nepažeistą - darbo įrankį. Kuomet patikrinte ir sumontavote darbo įrankį, pasirūpinkite, kad nei Jūs, nei greta esantys asmenys nebūtų vienoje linijoje su besisukančiu darbo įrankiu, ir leiskite prietaisui viena minutę veikti didžiausiais sukiais. Jei darbo įrankis yra pažeistas, jus turėtų per šį bandymo laiką subyrėti.
- g. Naudokite individualias apsaugos priemones ir visuomet užsidėkite veido apsaugą ar apsauginius akinius. Jei nurodyta, užsidėkite nuo dulkių saugantį respiratorių, apsaugines ausines, apsaugines pirštines arba specialią prijuostę, kuri apsaugos jus nuo smulkių šlifavimo įrankio ir ruošinio dalelių. Akys turi būti apsaugotos nuo aplinkui skraidančių svetimkūnių, atsirandančių atliekant įvairius darbus. Respiratorius turi išfiltruoti dirbant kylančias dulkes. Dėl ilgalaikio didelio triukšmo poveikio galite prarasti klausą.
- h. Pasirūpinkite, kad kiti asmenys būtų saugiami atstume nuo Jūsų darbo zonos. Kiekvienas, kuri žengia į darbo zoną, turi naudoti asmenines apsaugos priemones. Ruošinio dalelės ar atskilę įrankio gabalėliai gali skrieti dideliu greičiu ir sužeisti asmenis, nes ir esančius už tiesioginės darbo zonos ribų.
- i. Dirbdami ten, kur besisukantis įrankis galėtų kliudyti paslėptą laidą ar savo paties maitinimo laidą, laikykite prietaisą už izoliuotų rankenų. Dėl kontakto su laidininku, kuriuo teka elektros srovė, metalinėse prietaiso dalyse atsiranda įtampa ir naudotojas gali gauti elektros smūgį.
- j. Maitinimo kabelį laikykite toliau nuo besisukančio darbo įrankių. Jei nesuvaldytumėte prietaiso, darbo įrankis gali perpjauti maitinimo kabelį arba jį įvynioti, tuomet jūsų pląštaka ar ranka gali pataikyti į besisukančią darbo įrankį.
- k. Išjungę elektrinį prietaisą, niekuomet jo nepadėkite tol, kol darbo įrankis visiškai nesustos. Besisukantis darbo įrankis gali prisiliesti prie paviršiaus, ant kurio padedate prietaisą, ir prietaisas gali tapti nevaldomas.
- l. Nesdami prietaisą niekuomet jo neįjunkite. Netyčia prisilietus prie besisukančio darbo įrankio, jis gali įvynioti drabužius ir Jus sužeisti.
- m. Reguliariai valykite ventiliacines angas Jūsų prietaiso korpusė. Variklio ventilatorius siurbia dulkes į korpusą, ir, susikaupus daug metalo dulkių, gali kilti elektros smūgio pavojus.
- n. Niekuomet nenaudokite elektrinio prietaiso arti lengvai užsidegančių medžiagų. Kylančios kibirkštys gali jas uždegti.
- o. Nenaudokite darbo įrankių, kuriuos reikia aušinti skysčiais. Naudojant vandenį ar kitokius aušinimo skysčius gali kilti elektros smūgio pavojus.

## ATATRANKOS JŪGOS IR SUSIJĘ ĮSPŪJIMAI

Atatranka yra staigi reakcija, atsirandanti, kai besisukantis darbo įrankis, pvz., šlifavimo diskas, šlifavimo žiedas, vielinis šepetys ar kt., ruošinyje įstringa ar užsiblokuoja ir todėl netikėtai sustoja. Todėl elektrinis prietaisas gali nekontroliuojamai atšokti nuo ruošinio priešinga darbo įrankio sukimuisi kryptimi. Pvz., jei ruošinyje įstringa ar yra užblokuojamas šlifavimo diskas, disko briauna, kuri yra ruošinyje, gali išlūžti ar sukelti atatranką. Tada šlifavimo diskas, priklausomai nuo jo sukimosi krypties blokavimo vietoje, pradeda judėti link dirbančiojo arba nuo jo. Tada šlifavimo diskas gali net nulūžti. Atatranka yra netinkamo elektrinio prietaiso naudojimo ar gedimo pasekmė. Jos galite išvengti, jei imsitės atitinkamų, žemiau išvardintų atsargumo priemonių.

- Tvirtai laikykite elektrinį įrankį.** Jūsų kūno ir rankos padėtis turi būti tokia, kad galėtumėte priešintis atatrankos jėgoms. Jei yra papildoma rankena, visada ją naudokite, tada galėsite suvaldyti atatrankos jėgas bei įjungiant prietaisą atsirandantį reakcijos jėgų momentą. Dirbantysis, jei imsis tinkamų atsargumo priemonių, gali suvaldyti reakcijos jėgas atatrankos metu.
- Niekada ne laikykite rankos prie besisukančio priedo.** Priedo atatrankos smūgis gali kliūti rankai.
- Stenkitės, kad jūsų kūnas nebūtų ten, kur esant atatrankai judėtų elektrinis įrankis.** Dėl atatrankos įrankis judės priešinga disko sukimosi užkliuvimo taške kryptimi.
- Labai atidžiai šlifukite kampus, aštrius kraštus ir pan.** Stenkitės, kad priedas nešokinėtų ir neužkliūtų. Besisukantis priedas gali užkliūti už kampų, aštrių kraštų ar dėl šokinėjimo, todėl jūs galite prarasti įrankio kontrolę arba pajusti atatranką.
- Nenaudokite pjovimo grandinių, skirtų medienai drožti ar kitokių dantytų diskų.** Tokie darbo įrankiai dažnai sukelia atatranką arba elektrinis prietaisas tampa nevaldomas.

## SPECIALIOS ĮSPAJAMOSIOS NUORODOS ATLIEKANTIEMS ŠLIFAVIMO IR PJOVIMO DARBUS

- Naudokite tik tuos diskus, kurie rekomenduojami jūsų elektriniam įrankiui, ir specialią apsaugą, skirtą pasirinktam diskui.** Diskų, kurie nėra skirti šiam elektriniam įrankiui, uždengti apsauginiais įtaisais ir jie nėra saugūs.
- Šlifavimo įrankius leidžiama naudoti tik pagal rekomenduojamą paskirtį.** Pvz., niekada nešlifukite pjovimo disko šoniniu paviršiumi. Pjovimo diskai yra skirti medžiagai pašalinti pjaurama briauna. Nuo šoninės apkrovos šie šlifavimo įrankiai gali sulūžti.
- Visada naudokite nepažeistas diskų junges, kurių dydis ir forma yra tinkama pasirinktam diskui.** Tinkamos disko jungės prilaiko diską ir taip sumažina disko sulūžimo tikimybę. Pjovimo diskų jungės gali skirtis nuo šlifavimo diskų jungių.
- Nenaudokite sudilusių diskų, prieš tai naudotų su didesniais prietaisais.** Šlifavimo diskai, skirti didesniems elektriniams prietaisams, nėra pritaikyti dideliame mažųjų prietaisų išvystomam sukčių skaičiui ir gali sulūžti.

## PAPILDOMOS SPECIALIOS ĮSPAĖJAMOSIOS NUORODOS ATLIEKANTIEMS PĖJOVIMO DARBUS

- Venkite uĖblokuoti pĖjovimo diską ir nespauskite jo per stipriai prie ruošinio. Nemėginkite atlikti pernelyg gilių pĖvių. Per stipriai prispaudus pĖjovimo diską, padidėja jam tenkanti apkrova ir atsiranda didesnė tikimybė jį pakreipti bei uĖblokuoti pĖviųje, vadinasi padidėja atatranks ir disko lūĖimo rizika.
- Stenkitės, kad jŖsų kŖnas nebŖtų vienoje linijoje su besisukančiu disku – prieš jį ar uĖ jo. Kai diskas pĖjovimo taške juda tolyn nuo jŖsų kŖno, galima atatranka gali nusviesti besisukantį diską ir elektrinį įrankį tiesiai į jus.
- Kai diskas įstringa arba pĖjovimą reikia nutraukti dėl kitos prieĖasties, išjunkite elektrinį įrankį ir laikykite elektrinį įrankį jo nejudindami, kol diskas visiškai sustos. Nebandykite pĖjovimo disko ištraukti iš įpĖjos, kai diskas sukasi, nes gali atsirasti atatranka. Įvertinkite, kodėl diskas įstringa, ir imkitės atitinkamų priemonių strigimui išvengti.
- Nepradėkite pjauti, kai diskas yra apdirbamame ruošinyje. Palaukite, kol diskas pradės sukintis reikiamu greičiu, ir tada vėl atsargiai įstatykite jį į įpĖjovą. Jeigu elektrinis įrankis bus įjungiamas, kai diskas yra įpĖjovoje, diskas gali įstrigti, iššokti arba atsirasti atatranka.
- PriĖlaikykite plokštes ir kitus didelius apdirbamus gaminius, nes tai sumaĖins disko uĖklivimo arba atatranks tikimybę. Dideli apdirbami gaminiai nuo savo svorio gali įlįnti. Atramos turi bŖti dedamos po apdirbamu gaminiu prie pĖjovimo linijos ir apdirbamo gaminio krašto iš abiejų disko šonų.
- Ypač atsargiai darykite išpĖjovimus esamose sienose ar kitose aĖlinose vietose. Išsikilęs diskas gali nupjauti dujų arba vandens vamzĖius, elektros laidus arba objektus, dėl kurių gali atsirasti atatranka.

## ĮSPAĖJAMOSIOS SAUGOS NUORODOS, ATLIEKANTIEMS ŠLIFAVIMO DARBUS, NAUDOJANT ŠLIFAVIMO POPIERIŪ

- Diskams nenaudokite per didelio dydĖio šlifavimo popieriaus. Šlifuodami nenaudokite per didelio šlifavimo disko popieriaus lapelio. Pasirinkdami švitrinį šlifavimo popieriŪ laikykitės gamintojo rekomendacijų. Dėl per didelio šlifavimo popieriaus disko, kuris išsikilša uĖ šlifavimo pado, atsiranda įplyšimo pavojus, diskas gali bŖti nuplėštas arba uĖklŖti, atsirasti atatranka.

## ĮSPAĖJAMOSIOS SAUGOS NUORODOS, ATLIEKANTIEMS POLIRAVIMO DARBUS

- Nepalikite kabančių poliravimo gaubtelio dalių, ypač tvirtinamųjų raištelii, jei reikia, juos sutrumpinkite. Kabanrys besisukantys tvirtinamieji raišteliai gali pagriebti jŖsų pirštą ar įstrigti ruošinyje.

## SPECIALIOS ĮSPAĖJAMOSIOS NUORODOS DIRBANTIEMS SU VIELINIAIS ŠEPEŠIAIS

- Nepamirškite, kad net ir naudojant įprastai, nuo šepėčio byra vielos šereliai. Per stipriai nespauskite šepėčio. Vielos šereliai gali nesunkiai pralįsti pro plonus drabuĖius ir (arba) įsmigti į odą.
- Jeigu vielinį šepetį rekomenduojama naudoti su apsauga, patikrinkite, kad apsauga nesilietų prie vielinio disko arba šepėčio. Dėl darbinės apkrovos ir išcentriniių jėgų gali padidėti vielinio disko arba šepėčio skersmuo.
- Kai naudojate vielinius šepėčius, neturi bŖti viršijamas 15000 min.<sup>-1</sup> greitis.

**ĮSPĖJIMAS** Nedirbkite su medĖziagomis, kurių sudėtyje yra asbesto (asbestos laikomas kancerogeniška medĖziaga).

**ĮSPĖJIMAS** Imkitės apsaugos priemonii, kai darbo metu gali atsirasti sveikatai kenksmingų, lengvai uĖsidedgančių ar sprogių dulkių (kai kurios dulksės laikomos kancerogeniškomis); dėvėkite kaukę nuo dulkių ir, jeigu galima prijungti, naudokite dulkių/pjuvenų ištraukimo įrangą.

## aplinka

### UTILIZAVIMAS

Įrenginys, jo priedai ir pakuotė turi bŖti rūšiuojami ir atiduodami ekologiniam perdirbimui.

### NAUDOTI TIK EUROPOS ŠALYSE



Elektrinių įrankii neišmeskite kartu su buitinėmis šiukšlėmis!

Remiantis ES direktyva 2002/96/EB dėl elektros ir elektroninės įrangos atliekų ir jos perkėlimu į nacionalinę teisę, nebetinkami naudoti elektriniai įrankiai turi bŖti surenkami atskirai ir utilizuojami aplinkai nekenksmingu būdu.

## TECHNINIAI DUOMĖNYS

### BENDRIEJI TECHNINIAI DUOMĖNYS

Nominali įtampa . . . . . 7,2 V Li-ion baterija  
Nominali srovė . . . . . 0,7 Ah  
SŖkių skaičius tuščiaja eiga . .  $n_0$  10000/20000 min<sup>-1</sup>  
SuspaudĖiamosios įvorės skersmuo . . . . . 0,8mm, 1,6mm, 2,4mm, 3,2mm

### ILGINAMIEJI LAIDAI

Naudokite visiškai išvyniotus ir saugius ilginamuosius laidus, skirtus 5 A stiprumo srovei.

## SURINKIMAS

PRIEŠ KEISDAMI PRIEDUS, SUSPAUDŽIAMŪSIAS ĮVORES AR PRIEŠ PRADĖDAMI PRIETAISO TECHNINĖS PRIEŽIŪROS DARBUS, VISADA JĮ IŠJUNKITE.

### BENDROJI DALIS

“Dremel” daugiafunkcinis įrankis – tai aukštos kokybės tikslus įrankis, kurį galima naudoti detaliam ir sudėtingam darbui atlikti. Platus “Dremel” priedų ir antgalių asortimentas jums leidžia daryti pačius įvairiausius darbus. Galite šlifuoti švitriniu popieriumi, raižyti ir graviruoti, pjauti, valyti ir poliuruoti.

1 PAV.

2 PAV.

- A. Prispaudžiamoji veržlė
- B. Suspaudžiamoji įvorė
- C. Korpuso gaubtas
- D. Suklio fiksavimo mygtukas
- E. Grip
- F. Vėdinimo angos
- G. Įj. / išj. ir sparčiosios prieigos jungtukas
- h. Atleidimo rankenėlė
- I. Akumuliatorius
- J. Įkroviklis

### ĮRANKIO ĮKROVIMAS

Akumuliatorinis rotacinis įrankis nėra visiškai įkrautas. Įrankis turi išimamą akumuliatorių bateriją. Prieš pirmąjį naudojimą akumuliatorių reikia įkrauti.

Norėdami įkrauti įrankį:

1. Perjunkite jungiklį į padėtį “OFF” (išjungta). 2 PAV.
2. Suspauskite atjungimo fiksatorius abejuose akumuliatorių baterijos pusėse ir atjunkite bateriją nuo įrankio. 2 PAV.
3. Sutaikykite akumuliatorių bateriją su įkroviklio korpusu (rodyklės ant baterijos turi būti nukreiptos į rodykles ant įkroviklio), suspauskite atjungimo fiksatorius, įstatykite bateriją į įkroviklį ir atleiskite fiksatorius, kad baterija užsifikuotų savo vietoje.
4. Įjunkite įkroviklį į maitinimo šaltinį. Degantis žalias LED indikatorius parodo, kad maitinimas yra ir vyksta akumuliatorių baterijos įkrovimas. Įprastai naudojant įrankis pilnai įkraunamas per 3 valandas. Įkrovimui pasibaigus LED indikatorius išsijungia.
5. Įkrovimui pasibaigus, suspauskite atjungimo fiksatorius ir išimkite akumuliatorių bateriją iš įkroviklio.
6. Sutaikykite akumuliatorių bateriją su įrankio korpusu. Suspauskite atjungimo fiksatorius, prijunkite bateriją prie įrankio ir atleiskite fiksatorius kad bateriją užsifikuotų savo vietoje.

### SVARBIOS PASTABOS DĖL ĮKROVIMO

1. Per keletą pirmųjų įkrovimo ciklų baterija bus įkraunama tik apie 80% jos maksimalios talpos. Tačiau po to baterija bus įkraunama pilnai.
2. Įkroviklis sukonstruotas taip, kad bateriją įkrautų greitai tik tada, kai jos temperatūra yra nuo 4°C iki 41°C.

3. Jeigu veikimo trukmė po pilno įkrovimo ženkliai sumažėjo, gali būti, kad baigiasi akumuliatorių baterijos tarnavimo laikas ir ją reikia pakeisti.

PASTABA: naudojant ne “Dremel” parduodamus įkroviklius arba akumuliatorių baterijas nebegalios garantija.

### SUSPAUDŽIAMOSIOS ĮVORĖS

“Dremel” daugiafunkcinio įrankio priedų koteliai yra skirtingo skersmens. Šiems skirtingiems skersmenims skirtos keturios suspaudžiamosios įvorės. Suspaudžiamosios įvorės dydį galima atpažinti pagal žiedus ant jos atvirščios pusės.

3 PAV.

- L. 3,2 mm įvorė be žiedo
- M. 2,4 mm įvorė su trimis žiedais
- N. 1,6 mm įvorė su dviem žiedais
- O. 0,8 mm įvorė su vienu žiedu

Visada naudokite priedo kotelio skersmeniui tinkančią suspaudžiamąją įvorę. Niekada neikiškite jėga didelio skersmens kotelio į mažesnę suspaudžiamąją įvorę.

### ĮVORIŲ KEITIMAS

4 PAV.

- P. Suklio fiksavimo mygtukas
- Q. Suspaudžiamosios įvorės raktas
- R. Užveržti
- S. Atleisti
- T. Prispaudžiamoji veržlė

1. Pastumkite suklio fiksavimo mygtuką į priekį, nuspauskite ir sukite suklij ranka, kol jis užsifikuos. *Suklio fiksavimo mygtuko nespauskite, kai daugiafunkcinis įrankis veikia.*
2. Laikydami suklio fiksavimo mygtuką nuspaustą, atlaisvinkite ir nuimkite prispaudžiamąją veržlę. Jeigu reikia, naudokite įvorės raktą.
3. Įvorę nuimkite nuo suklio.
4. Reikiamo dydžio įvorę visiškai įstatykite į suklij ir lengvai užveržkite prispaudžiamąją veržlę. Niekada visiškai stipriai neužveržkite veržlės, jei neįstatytas joks priedas ar antgalis.

### PRIEDŲ KEITIMAS

4 PAV.

- P. Suklio fiksavimo mygtukas

1. Pastumkite suklio fiksavimo mygtuką į priekį, nuspauskite ir sukite suklij ranka, kol jis užsifikuos. *Suklio fiksavimo mygtuko nespauskite, kai daugiafunkcinis įrankis veikia.*
2. Laikydami suklio fiksavimo mygtuką nuspaustą, atlaisvinkite (bet nenuimkite) prispaudžiamąją veržlę. Jeigu reikia, naudokite įvorės raktą.
3. Priedo arba antgalio kotelį visiškai įstatykite į įvorę.
4. Laikykite nuspaudę suklio fiksavimo mygtuką ir sukite prispaudžiamąją veržlę pirštais tol, kol suspaudžiamoji įvorė sugriebs priedo kotelį. Priedą arba antgalį įveržkite panaudodami įvorės raktą.

PASTABA: būtina perskaitykite su „Dremel“ priedais pateikiamas instrukcijas, kuriose pateikiama daugiau informacijos apie jų naudojimą.

Naudokite tik „Dremel“ išbandytus kokybiškus priedus.

## DARBO PRADŽIA

### NAUDOJIMAS

Pradėdami naudoti universalų rotacinį įrankį, Jūs pirmiausia privalote jį „pajusti“. Palaikykite jį rankoje ir pajuskite jo svorį ir svorio centrą. Atkreipkite dėmesį į korpuso smailėjimą, dėl kurio įrankį galima laikyti kaip plunksnakočių ar pieštuką. Ypatingai „Softgrip“ danga užtikrina papildomą valdymo komfortą ir geresnę kontrolę darbo metu.

*Įrankį laikykite visada nukreipę nuo veido. Priedai gali būti pažeisti ir atskiros jų dalys dėl didelio sūkių skaičiaus gali lėkšti į šalį.*

*Įrankį laikykite taip, kad ranka neuždengtumėte ventiliacinių angų. Uždegus ventiliacines angas gali perkaišti variklis.* SVARBU! Iš pradžių pasitreniruokite su medžiagos gabalėliu ir pasižiūrėkite, kaip įrankis veikia dideliu greičiu. Nepamirškite, kad daugiafunkcinis įrankis duos geriausių rezultatų, jeigu leisite jo greičiui, o taip pat ir tinkamam „Dremel“ priedui bei antgaliui, darbą padaryti už jus. Jeigu galite, įrankio dirbdami nespauskite. Vietoj to, besisukančių priedą atsargiai priartinkite prie ruošinio paviršiaus ir leiskite jam prisiliesti ten, kur norėtumėte pradėti. Susikaupkite ir įrankį vedžiokite po darbinį plotą kuo mažiau spausdami ranka. Leiskite priedui dirbti už jus. Paprastai rekomenduojama norimą veiksmą įrankiu atlikti per kelis kartus, o ne viską baigti vienu prisilietimu. Lengvais prisilietimais užtikrinama didžiausia kontrolė bei sumažinama klaidos tikimybė. Tikslius darbus geriausiai atlikite, jei daugiafunkcinį įrankį laikysite tarp nykščio ir smiliaus kaip pieštuką. 6 PAV. Įrankis kaip golfo lazda laikomas tada, kai reikia atlikti grubesnius darbus, pavyzdžiui, šlifuoti arba pjauti. 7 PAV.

### DARBINIS GREITIS

Šis įrankis yra didelio greičio universalus įrankis. Jo greitis gali būti nustatomas kaip 10000 arba 20000 min.<sup>-1</sup>. Jei sureguliuosite greitį pagal savo ruošinį, bus geresni galutiniai darbo rezultatai. Kad rezultatai būtų maksimalūs, dirbdami su skirtingomis medžiagomis, pagal jas nustatykite reikiamą greitį. Norėdami pasirinkti reikiamą greitį pagal naudojamą gamini, pirmiausia išbandykite ant jo ruošinio.

7,2 V Ni-Cd universalaus įrankio jungiklio nustatymai pažymėti ant specialaus greičio valdiklio.

Daugumą užduočių galima atlikti pasirinkus aukščiausią sūkių skaičiaus padalą. Tačiau tam tikras medžiagas (kai kurios plastmasės ir metalai) gali pažeisti karštis, susidarantis dėl didelio sūkių skaičiaus, todėl jas apdirbti reikia naudojant santykinai nedidelį sūkių skaičių. Mažas sūkių skaičius (15000 min.<sup>-1</sup> ir mažiau) geriausiai tinka poliruoti su veltiniu poliravimo priedu. Naudojant šepetčius taip pat reikalingas mažesnis sūkių skaičius, kad iš laikiklio neiškristų vielos ir šeriai. Net ir esant nedideliems sūkiams privalote nespausiti įrankio.

Didesni sūkiai tinka kietai medienai, metalui ir stiklui, taip pat gręžti, pjaustyti, drožinėti, frezuoti, formuoti, pjauti griovelius medienoje.

Keletas rekomendacijų dėl įrankio greičio:

- Plastiką ir kitos medžiagas, kurios lydimosi žemoje temperatūroje, turėtų būti pjaunamos pasirinkus mažesnį greitį.
- Poliravimas, šlifavimas ir valymas vieliniu šepetčiu turi būti atliekamas ne didesniu kaip 15000 min.<sup>-1</sup> greičiu, kad nebūtų sugadintas šepetys ir apdirbama medžiaga.
- Medieną reikėtų pjauti pasirinkus didelį greitį.
- Geležį arba plieną reikėtų pjauti pasirinkus didelį greitį.
- Jei iš greitapjovio plieno pagaminta freza pradeda vibruoti, paprastai tai reiškia, kad ji sukasi per mažą greičiu.
- Aliuminį, vario lydinius, švino lydinius, cinko lydinius ir skardą galima pjauti pasirinkus įvairius greičius priklausomai nuo pjovimo būdo. Patepkite pjovimo įrankį parafinu arba kita tinkama tepti medžiaga (ne vandeniu), kad drožlės neprikibytų prie pjovimo įrankio dantų.

PASTABA: jeigu įrankis veikia netinkamai, jėgos naudojimas problemos neišspręs. Pabandykite naudoti kitą priedą arba pasirinkite kitą greitį.

## PRIEŽIŪRA

*Jei techninę priežiūrą ir profilaktiką atliks neįgaloti asmenys, jie gali neteisingai sujungti vidinius laidus ar kitus prietaiso komponentus, todėl gali kilti rimtas pavojus. Mes rekomenduojame techninę priežiūrą ir remonto darbus atlikti „Dremel“ klientų aptarnavimo skyriuose. Siekiant išvengti sužeidimų dėl netvarkingo įsijungimo ar elektros smūgio, kiekvieną kartą prieš pradėdami techninės priežiūros ir valymo darbus ištraukite kištuką iš tinklo.*

## ĮRANKIO VALYMAS

ĮRANKĮ IŠJUNKITE PRIEŠ VALYDAMI

Vėdinimo angos ir jungiklių svirtys turi būti švarios ir neužsikimšusios. Nebandykite įrankio valyti pro angas kišdami smailius daiktus.

*Įrankį galima išvalyti suspausto oro srove. Valydami įrankį suspausto oro srove, dėvėkite apsauginius akinius.*

„Dremel“ daugiafunkcinio įrankio sutepti nebūtina.

*Kai kurios valymo priemonės ir tirpikliai gali sugadinti plastikinę dalį. Prie tokių priemonių priskiriamas benzinas, anglies tetrachloridas, valymo priemonės su chloru, amoniakas ir būtinaiai valikliai, sudėtyje turintys amoniako.*

Nuvalykite įrankio rankeną drėgnu audeklu. Labiau užterštas dalis gali reikėti valyti keletą kartų.

## APTARNAVIMAS IR GARANTĪJA

Šiam “DREMEL” gaminiui suteikiama garantija atitinka šalyje galiojančius įstatymus. Garantija netaikoma gedimams, atsiradusiems dėl natūralaus susidėvėjimo, taip pat dėl perkrovų arba netinkamo naudojimo.

Reklamacijos atveju siųskite *neišardytą* įrankį su atitinkamu pirmą patvirtinančiu dokumentu savo pardavėjui.

### SUSISIEKITE SU “DREMEL”

Norėdami sužinoti daugiau informacijos apie “Dremel”, apsilankykite tinklalapyje [www.dremel.com](http://www.dremel.com)

Dremel Europe, P.O. Box 3267, 4800 DG Breda, Nederlande

## SĄKOTNĖJO NORĀDĪJUMU TULKOJUMS

### IZMANTOTIE SIMBOLI



IZLASIET ŠOS NORĀDĪJUMUS



IZMANTOJDIET AUSU AIZSARGUS



IZMANTOJDIET ACU AIZSARGUS



IZMANTOJDIET AIZSARGMASKU

## VISPĀRĪGI BRĪDINĀJUMI PAR DROŠU ELEKTRISKĀ INSTRUMENTA LIETOŠANU



**UZMANĪBU** IZLASIET VISUS BRĪDINĀJUMUS UN NORĀDĪJUMUS PAR DROŠĪBU.

*Neievērojot šos brīdinājumus un norādījumus, var izraisīt elektrošoku, ugunsgrēku un/vai nopietnus ievainojumus.*

**Saglabājiet visus brīdinājumus un norādījumus turpmākai lietošanai.**

Ar terminu “elektriskais instruments” brīdinājumos domāti ar elektību darbināmi elektriskie instrumenti (ar vadu) vai ar akumulatoru darbināmi (bezvadu) elektriskie instrumenti.

### DROŠĪBA DARBA VIETĀ

- Sekojiēt, lai darba vieta būtu tīra un labi apgaismota.** Nekārtīgā darba vietā un sliktā apgaismojumā var viegli notikt nelaimes gadījums.

- Nelietojiet elektroinstrumentu sprādzienbīstamu vai ugunsdrošu vielu tuvumā un vietās ar paaugstinātu gāzes vai putekļu saturu gaisā.** Elektroinstrumenti darba laikā nedaudz dzirksteļo, un tas var izsaukt viegli degošu putekļu vai tvaiku aizdegšanos.
- Lietojot elektroinstrumentu, nelaujiet bērniem un citām nepiederošām personām tuvoties darba vietai.** Citu personu klātbūtnē var novērst uzmanību, kā rezultātā jūs varat zaudēt kontroli pār elektroinstrumentu.

### ELEKTRODROŠĪBA

- Elektroinstrumenta kontaktakšai jābūt piemērotai elektrotīkla kontaktligzdai.** Kontaktakšas konstrukciju nedrīkst nekādā veidā mainīt. Nelietojiet kontaktakšas salāgotājus, ja elektroinstruments caur elektrisko vadu tiek savienots ar aizsargzēmējuma ķēdi. Neizmainītas konstrukcijas kontaktakšas, kas piemērotas kontaktligzdai, ļauj samazināt elektriskā trieciena saņemšanas risku.
- Darba laikā nepieskarieties saņemtiem priekšmetiem, piemēram, caurulēm, radiatoriem, plītiem vai ledusskapjiem.** *Ķermeņa daļām pieskaroties saņemtiem virsmām, pieaug risks saņemt elektrisko triecienu.*
- Nelietojiet elektroinstrumentu lietus laikā, neturiet to mitrumā.** *Mitrumam iekļūstot instrumentā, pieaug risks saņemt elektrisko triecienu.*
- Nenoslogojiet elektrisko vadu.** Nelietojiet elektrisko vadu elektroinstrumenta pārvešanai un piekāršanai, neraujiet aiz tā, ja vēlaties atvienot elektroinstrumentu no elektrotīkla kontaktligzdas. Sargājiet elektrisko vadu no karstuma, eļļas, asām šķautnēm un elektroinstrumenta kustīgajām daļām. *Bojāts vai samezģojies elektriskais vads paaugstina elektriskā trieciena risku.*
- Lietojot elektrisko instrumentu ārā, izmantojiet pagarinātāju, kas piemērots lietošanai ārā.** *Lietojot pagarinātājkabeli, kas piemērots darbam ārpus telpām, samazinās risks saņemt elektrisko triecienu.*
- Ja elektroinstrumentu tomēr nepieciešams lietot vietās ar paaugstinātu mitrumu, izmantojiet tā pievienošanai noplūdes strāvas aizsargreleju.** *Lietojot noplūdes strāvas aizsargreleju, samazinās risks saņemt elektrisko triecienu.*

### PERSONĪGĀ DROŠĪBA

- Strādājot ar elektroinstrumentu, saglabājiet paškontroli un rīkojieties saskaņā ar veselo saprātu.** Pārtrauciet darbu, ja jūtaties noguris vai atrodaties alkohola, narkotiku vai medikamentu izraisītā reibumā. *Strādājot ar elektroinstrumentu, pat viens neuzmanības mirklis var būt pār cēloni nopietnam savainojumam.*
- Izmantojiet individuālos darba aizsardzības līdzekļus.** *Darba laikā vienmēr nēsājiet aizsargbrilles. Tādu darba aizsardzības līdzekļu, kā putekļu aizsargmaskas, neslidošu apavu un aizsargķiveres vai ausu aizsargu pielietošana atbilstoši elektroinstrumenta tipam un veicamā darba raksturam ļauj izvairīties no savainojumiem.*
- Nepieļaujiet elektroinstrumenta patvaļīgu ieslēgšanos.** **Pirms elektroinstrumenta pievienošanas elektrotīklam pārlicinieties, ka tā slēdzis atrodas stāvoklī “Izslēgts”.**

Pārnesot elektroinstrumentu ar pirkstu uz slēdža vai pievienojot ieslēgtu elektroinstrumentu elektrotīklam, viegli var notikt nelaimes gadījums.

- d. **Pirms elektroinstrumenta ieslēgšanas neaizmirstiet izņemt no tā regulējošos instrumentus vai atslēgas.** Patronatslēga vai skrūvjatslēga, kas elektroinstrumenta ieslēgšanas brīdī ir ievietota tā rotējošajās daļās, var radīt savainojumu.
- e. **Strādājot ar elektroinstrumentu, ieturiet stingru stāju.** Darba laikā vienmēr saglabājiet līdzsvaru un centieties nepaslidēt. Tas atvieglo elektroinstrumenta vadīšanu neparedzētās situācijās.
- f. **Izvēlieties darbam piemērotu apģērbu.** Darba laikā nenēsājiet brīvi plandošas drēbes un rotaslietas. Sargājiet matus, apģērbu un aizsargcimdus no elektroinstrumenta kustīgajām daļām. Tajās var iekerties vaļiņas drēbes, rotaslietas un gari mati.
- g. **Ja elektroinstrumenta konstrukcija ļauj tam pievienot ārējo putekļu uzsūkšanas vai savākšanas/uzkrāšanas ierīci, sekojiet, lai šāda ierīce tiktu pievienota un pareizi darbotos.** Pielietojot minētās ierīces, samazinās putekļu kaitīgā ietekme uz lietotāja veselību.

---

## ELEKTROINSTRUMENTA LIETOŠANA UN APKOPE

---

- a. **Nepārslodojiet elektroinstrumentu.** Katram darbam izvēlieties piemērotu elektroinstrumentu. Elektroinstruments darbojas labāk un drošāk pie nominālās slodzes.
- b. **Nelietojiet elektroinstrumentu, ja ir bojāts tā slēdzis.** Elektroinstruments, ko nevar ieslēgt un izslēgt, ir bīstams lietošanai, un to nepieciešams remontēt.
- c. **Pirms elektroinstrumenta apkopes, regulēšanas vai darbinstrumenta nomainīšanas atvienojiet tā kontaktdakšu no barojošā elektrotīkla vai izņemiet no tā akumulatoru.** Šāds drošības pasākums ļauj samazināt elektroinstrumenta nejausās ieslēgšanās risku.
- d. **Elektroinstrumentu, kas netiek darbināts, uzglabājiet vietā, kur tas nav sasniedzams bērniem un personām, kuras neprot rīkoties ar instrumentu vai nav iepazīnušās ar šo lietošanas pamācību.** Elektroinstrumenti nekompetentu personu rokās ir bīstami.
- e. **Rūpīgi veiciet elektroinstrumenta apkalpošanu.** Pārbaudiet, vai kustīgās daļas ir labi salāgotas un nav iespīlētas, vai kāda no daļām nav bojāta un vai nepastāv kādi citi apstākļi, kas varētu ietekmēt elektroinstrumenta normālu darbību. Atklājot bojājumus, pirms elektroinstrumenta lietošanas nodrošiniet tam vajadzīgo remontu. Daudzi nelaimes gadījumi cēlonis ir elektroinstrumenta nepietiekama apkalpošana.
- f. **Savlaicīgi noīriet un uzasiniet griezošos darbinstrumentus.** Rūpīgi kopti darbinstrumenti ar asām griezējškaitnēm retāk iestrēgst un ļauj vieglāk vadīt elektroinstrumentu.
- g. **Lietojiet elektroinstrumentu, papildpiederumus, darbinstrumentus utt. atbilstoši šeit sniegtajiem norādījumiem un attiecīgajam elektroinstrumentam paredzētajā veidā, ņemot vērā apstākļus un veicamā**

darba raksturu. Elektroinstrumenta lietošana mērķiem, kuriem tas nav paredzēts, ir bīstama un var novest pie neparedzamām sekām.

---

## AR AKUMULATORU DARBINĀMA INSTRUMENTA IZMANTOŠANA UN APKOPE

---

- a. **Lai atkārtoti uzlādētu instrumentu, izmantojiet tikai ražotāja norādītu lādētāju.** Lādētājs, kas der viena veida akumulatoram, var izraisīt ugunsgrēku, ja to lieto ar cita veida akumulatoru.
- b. **Izmantojiet elektriskos instrumentus tikai ar tiem paredzētiem akumulatoriem.** Izmantojot citus akumulatorus, iespējama trauma un ugunsgrēka rašanās.
- c. **Kad neizmantojat akumulatoru, neglabājiet to metāla priekšmetu, piemēram, papīra saspaužu, monētu, atslēgu, naglu, skrūvju vai citu sīku metāla priekšmetu tuvumā, ar ko var savienot divus polus.** Savienojot akumulatora polus, var rasties apdegumi vai ugunsgrēks.
- d. **Nepareizi lietojot akumulatoru, no tā var izdalīties šķidrums; nepieļaujiet tā saskari ar ādu.** Ja šķidrums netišām nokļūst uz ādas, skalojiet to ar ūdeni. Ja šķidrums nokļūst acīs, vērsieties arī pēc medicīniskās palīdzības. No akumulatora izdalītais šķidrums var izraisīt niezi vai radīt apdegumus.

---

## APKALPOŠANA

---

- a. **Nodrošiniet, lai elektroinstrumenta apkalpošanu veiktu kvalificēts personāls, nomaīnai izmantojot vienīgi identiskus rezerves daļas.** Tas ļauj saglabāt nepieciešamo darba drošības līmeni, strādājot ar elektroinstrumentu.

## DROŠĪBAS NOTEIKUMI VISIEM DARBĪEM

### DROŠĪBAS NOTEIKUMI, KAS IR KOPIĢI SLĪPŠANAI, APSTRĀDEI AR STIEPLU SUKU, PULŠANAI UN GRIEŠANAI AR ABRAZĪVAJIEM DISKIEM

- a. Šis elektroinstruments ir lietojams kā slīpmašīna, kas piemērota arī slīpšanai ar smilšpapīra loksni, darbam ar stieplu suku, pulšanai un griešanai. Nēmet vērā visas elektroinstrumentam pievienotās instrukcijas, norādījumus, attēlus un citu informāciju. Turpmāk sniegto norādījumu neievērošana var kļūt par cēloni elektriskajam triecienam, ugunsgrēkam un/vai smagam savainojumam.
- b. **Neizmantojiet piederumus, kurus rašotājfirma nav paredzējusi šim elektroinstrumentam un ieteikusi lietošanai kopā ar to.** Iespēja nostiprināt piederumu uz elektroinstrumenta vēl negarantē tā drošu lietošanu.
- c. **Darbinstrumentu pieļaujama griezšanās ātrumam jābūt ne mazākam par elektroinstrumenta maksimālo griezšanās ātrumu.** Piederumi, kas griešas ātrāk, nekā tas ir pieļaujams, var tikt bojāti.



- d. Darbinstrumentu ārējām diametram un biežumam jāatbilst elektroinstrumenta konstrukcijai un izmēriem. Ja darbinstrumenta izsmēri ir izvēlēti nepareizi, tas pilnībā nenovietojas zem aizsarga un darba laikā aprūtinā instrumenta vadību.
- e. Slīpēšanas diskam, balstaplāksnei, slīpēšanas pamatnei vai citiem darbinstrumentiem precīzi jānovietojas uz elektroinstrumenta darbvārpstas. Darbinstrumenti, kas precīzi neatbilst elektroinstrumenta darbvārpstas konstrukcijai, nevienmērīgi griešas. Joti spēcīgi vibrē un var būt par cēloni kontroles zaudēšanai pār instrumentu.
- f. Neizmantojiet bojātus darbinstrumentus. Ik reizi pirms darbinstrumentu lietošanas pārbaudiet, vai tie nav bojāti, piemēram, vai slīpēšanas diski nav atslāņojušies vai iekļāvušies, vai slīpēšanas pamatnē nav vērojamas plaisas un vai stieplu suku veidojošās stieples nav vaļīgas vai atlūzušas. Ja elektroinstrumentus vai darbinstrumentus ir kritis no zināma augstuma, pārbaudiet, vai tas nav bojāts, vai arī izmantojiet darbam nebojātu darbinstrumentu. Pēc darbinstrumenta apskates un iestiprināšanas ļaujiet elektroinstrumentam darboties ar maksimālo griešanās ātrumu vienu minūti ilgi, turot rotējošo darbinstrumentu drošā attālumā no sevis un citām tuvumā esošajām personām. Bojātie darbinstrumenti šādās pārbaudes laikā parasti salūst.
- g. Lietojiet individuālos darba aizsardzības līdzekļus. Atkarībā no veicamā darba rakstura izvēlieties pilnu sejas aizsargu, noslēdzamo aizsargbrilles vai parastās aizsargbrilles. Lai aizsargātos no lidojošajām slīpēšanas darbinstrumenta un apstrādājamā materiāla daļiņām, pēc vajadzības lietojiet putekļu aizsargmasku, ausu aizsargus un aizsargcimdus vai arī īpašu priekšautu. Lietotāja acis jāpasargā no lidojošajiem svešiermeņiem, kas dažkārt rodas darba gaitā. Putekļu aizsargmaskai un respiratoram jāpasargā lietotāja elšpošanas ceļi no putekļiem, kas veidojas darba laikā. Ilgstoši iedarbojošities stipram troksnim, var rasties paliekoši dzirdes traucējumi.
- h. Sekojiet, lai citas personas atrastos drošā attālumā no darba vietas. Ikvienam, kas atrodas darba vietas tuvumā, jālieto individuālie darba aizsardzības līdzekļi. Apstrādājamā priekšmeta atlūzas vai salūzuša darbinstrumenta daļas var lidot ar ievērojamu ātrumu un nodarīt kaitējumu cilvēku veselībai arī zināmā attālumā no darba vietas.
- i. Veicot darbu apstākļos, kad darbinstruments var skart slēptu elektropārvades līniju vai paša instrumenta elektrokabeli, turiet instrumentu tikai ar izolētajiem rokturiem. Darbinstrumentam skarot spriegumu nesošus vadus, šis spriegums nonāk arī uz instrumenta strāvu vadošajām daļām un var būt par cēloni elektriskajam triecienam.
- j. Netuviniet rotējošu darbinstrumentu elektrokabelim. Zūdot kontrolei pār instrumentu, darbinstruments var pārgriezt kabeli vai ielerties tajā, kā rezultātā lietotāja roka var saskarties ar rotējošo darbinstrumentu.
- k. Nenovietojiet elektroinstrumentu, kamēr tajā iestiprinātais darbinstruments nav pilnīgi apstājies. Rotējošais darbinstruments var skart atbalsta virsmu, kā rezultātā elektroinstrumentus var kļūt nevadāms.
- l. Nedarbiniet elektroinstrumentu laikā, kad tas tiek pārņemts. Lietotāja apšērbis vai mati var nejauši nonākt saskarē ar rotējošo darbinstrumentu un ielerties tajā, izsaucot darbinstrumenta saskaršanos ar lietotāja iermeņi.
- m. Regulāri turiet elektroinstrumenta ventilācijas atveres. Dzinēju venstīlējošā gaisa plūsma ievēl putekļus instrumenta korpusā, bet liela metāla putekļu daudzuma uzkrāšanās var būt par cēloni elektrotraumai.
- n. Nelietojiet elektroinstrumentu ugunsdrošu materiālu tuvumā. Lidojošās dzirksteles var izsaukt šādu materiālu aizdegšanos.
- o. Nelietojiet darbinstrumentus, kuriem jāpievada dzesējošais šķidrums. Ūdens vai citu šķidro dzesēšanas līdzekļu izmantošana var būt par cēloni elektriskajam triecienam.

## ATSITIENS UN AR TO SAISTĪTE NORĀDĪJUMI

Atsitiens ir specifiska elektroinstrumenta reakcija, pēkšņi aizķeroties vai iestrēgstot rotējošam darbinstrumentam, piemēram, abrazīvajam diskam, slīpēšanas pamatnei, stieplju sukai vai citam piederumam. Rotējošo darbinstrumenta aizķeršanās vai iestrēgšana izsauk tā pēkšņu apstāšanos, kā rezultātā elektroinstrumentus pārvietojas virzienā, kas pretējs darbinstrumenta kustības virzienam iestrēgšanas vietā, un nereti kļūst nevadāms. Piemēram, ja abrazīvais disks aizķeras vai iestrēgst apstrādājamajā priekšmetā, tajā iegremdētā diska mala var izrauties no apstrādājamā materiāla vai izraisīt atsitienu. Šādā gadījumā slīpēšanas diska pārvietojas lietotāja virzienā vai arī prom no viņa, atkarībā no diska rotācijas virziena attiecībā pret apstrādājamo priekšmetu. Turklāt abrazīvais disks šādos apstākļos var salūst. Atsitiens vienmēr ir sekas elektroinstrumentam nepareizi un/vai neprasmīgi lietošanai, un no tā var izvairīties, ievērojot zināmus piesardzības pasākumus, kas aprakstīti turpmākajā izklāstā.

- a. Stingri turiet elektroinstrumentu un ieņemiet tādu ķermeņa un roku stāvokli, kas vislabāk ļauj pretoties atsitienu spēkam. Vienmēr izmantojiet papirdokturi, ja tāds ir paredzēts, jo tas ļauj optimāli kompensēt atsitienu vai reaktīvo griezes momentu, uzsākot darba operāciju. Veicot vajadzīgos piesardzības pasākumus, lietotājs jebkurā situācijā spēj efektīvi pretoties atsitienu vai reaktīvajam griezes momentam.
- b. Netuviniet rokas rotējošajam darbinstrumentam. Atsitienu gadījumā darbinstruments var saskarties ar lietotāja roku.
- c. Izvairieties atstāties vietā, kuru varētu pārvietoties elektroinstrumentus, notiekot atsitienu. Atsitienu gadījumā elektroinstrumentus pārvietojas virzienā, kas pretējs darbinstrumenta kustības virzienam iestrēgšanas vietā.
- d. Ievērojiet īpašu piesardzību, apstrādājot stūrus un asas malas. Nepieļaujiet, lai darbinstruments atlec no apstrādājamā priekšmeta vai iestrēgst tajā. Saskaroties ar stūriem vai asām malām, rotējošais darbinstruments izliecas un atlec no apstrādājamā priekšmeta vai iestrēgst tajā, kas var kļūt par cēloni kontroles zaudēšanai pār instrumentu vai atsitienu.
- e. Neiestipriniet elektroinstrumentā zāģa asmeņus, kas apgādāti ar zobiem un/vai ir paredzēti koka zāģēšanai. Šādu darbinstrumentu lietošana var kļūt par cēloni atsitienu vai kontroles zaudēšanai pār elektroinstrumentu.

## ĪPAŠIE DROŠĪBAS NOTEIKUMI, VEICOT SLĪPĒŠANU UN GRIEŠANU AR ABRAZĪVAJEM DISKIEM

- Lietojiet vienīgi tādus abrazīvos diskus, kas ir ieteikti izmantošanai kopā ar šo elektroinstrumentu, kā arī aizsargu, kas paredzēts izvēlētajam abrazīvajam diskam. *Abrazīvie diski, kas nav paredzēti izmantošanai kopā ar elektroinstrumentu, pilnīgi nenovietojas zem aizsarga un neļauj panākt vēlamo darba drošību.*
- Abrazīvos diskus drīkst lietot vienīgi tādā veidā, kādam tie ir paredzēti. Piemēram, nekad neizmantojiet slīpēšanai griešanas diska sānu virsmu. *Abrazīvie griešanas diski ir paredzēti materiālu apstrādei ar malas griežējškaitni, un stiprs spiediens sānu virzienā var tos sagraut.*
- Kopā ar izvēlēto abrazīvo disku lietojiet vienīgi nebojātu piespiedējuzgriezni ar piemērotu formu un izmēriem. *Piemērota tipa piespiedējuzgrieznis darba laikā droši balsta abrazīvo disku un samazina tā salūšanas iespēju. Griešanas diskam paredzētie piespiedējuzgriezņi var atšķirties no piespiedējuzgriezņiem, kas lietojami kopā ar slīpēšanas diskkiem.*
- Neizmantojiet nolietotus abrazīvos diskus, kas paredzēti lielākas jaudas elektroinstrumentiem. *Lielākiem elektroinstrumentiem paredzētie abrazīvie diski nav piemēroti izmantošanai mazākos elektroinstrumentos, kuru griešanās ātrums parasti ir lielāks, un darba laikā var salūst.*

## PAPILDU DROŠĪBAS NOTEIKUMI, VEICOT GRIEŠANU AR ABRAZĪVAJEM DISKIEM

- Neizdariet pārlieku lielu spiedienu uz griešanas disku un nepieļaujiet tā iestrēgšanu. *Nemēģiniet veidot pārāk dziļus griezumus. Ja griešanas disks tiek pārslogots, tas biežāk deformējas un iestrēgst griezumā, līdz ar to pieaugot atsitiena vai salūšanas varbūtība.*
- Izvaieties atrasties rotējošā griešanas diska priekšā vai aiz tā. *Ja darba laikā lietotājs pārvieto griešanas disku prom no sevis, tad atsitiena gadījumā elektroinstrumentis ar rotējošu griešanas disku tiks sviests tieši lietotāja virzienā.*
- Jebkura iemesla dēļ pārtraucot darbu vai iestrēgstot griešanas diskam, izslēdziet elektroinstrumentu un turiet to nekustīgi, līdz griešanas disks pilnīgi apstājas. *Nemēģiniet izvilkēt no griezuma vēl rotējošu griešanas disku, jo šāda rīcība var būt par cēloni atsitienam. Nekoaidrojiet un novērsiet diska iestrēgšanas cēloni.*
- Neatsāciet griešanu, ja griešanas disks atrodas griezumā. *Nogaidiet, līdz griešanas disks sasniedz pilnu griešanās ātrumu, un tikai tad uzmanīgi ievadiet to griezumā. Ja elektroinstrumentis tiek iedarbināts laikā, kad griešanas disks atrodas griezumā, disks var saliekties, tikt izmests no griezuma, kā arī var notikt atsitieni.*
- Lai mazinātu atsitiena risku, iestrēgstot griešanas diskam, atbaltiet griezamo paneli vai citu liela izmēra griezamo priekšmetu. *Lieli priekšmeti tiecas izliekties sava svara iespaidā. Griezamais priekšmets jāatbalsta abās griešanas diska pusēs, novietojot balstus zem griezamā priekšmeta griezuma trases tuvumā, kā arī tuvu priekšmeta malai.*

- Ievērojiet īpašu piesardzību, veidojot padziļinājumus sienās vai citos objektos, kas var saturēt slēptus objektus. *Griešanas diskam iegrimstot materiālā, tas var skart gāzes vai ūdensvada caurules, spriegumnesošus vadus vai kādu citu objektu, kas var izraisīt atsitieni.*

## ĪPAŠIE DROŠĪBAS NOTEIKUMI, VEICOT SLĪPĒŠANU AR SLĪPĒŠANAS LOKSNI

- Neizmantojiet pārāk liela izmēra smilšpapīru. *Neizmantojiet darbam liela izmēra slīpēšanas loksnes. Izvēloties slīpēšanas loksni, ievērojiet ražotājfirmas norādījumus. Ja slīpēšanas loksne sniedzas pāri slīpēšanas pamates malām, tas var būt par cēloni savainojumam, slīpēšanas loksnes iestrēgšanai vai plīšanai, kā arī izraisīt atsitieni.*

## ĪPAŠIE DROŠĪBAS NOTEIKUMI, VEICOT PULĒŠANU

- Nepieļaujiet, lai kāda no pulējošā uzliktņa daļām vai stiprinošajām atsaitēm būtu vaļīga. *Nostipriniet vai saīsiniet vaļīgo atsaiti. Vaļīga atsaitē rotējot var skart lietotāja pirkstus vai iekerties apstrādājamajā priekšmetā.*

## ĪPAŠIE DROŠĪBAS NOTEIKUMI, VEICOT APSTRĀDI AR STIEPĻU SUKU

- Ievērojiet piesardzību, jo pat parastas darba operācijas laikā no stieplu sukas var atdalīties un lidot prom atsevišķas stieples. *Nepārslodojiet sukas stieples, stipri spiežot uz to. Atlūzušās stieples, kas lido ar lielu ātrumu, var viegli izkļūt caur plānu apģerbu un iedurties ādā.*
- Ja apstrādes laikā ir ieteikta aizsarga lietošana, nepieļaujiet tā saskaršanos ar diskrveida vai kausveida stieplu suku. *Ņemiet vērā, ka diskrveida un kausveida stieplu sukām noslodzes un centrālās spēka iespaidā var palielināties diametrs.*
- Izmantojot metāla sukas, raugieties, lai apgriezieni skaits nebūtu lielāks par 15000 min<sup>-1</sup>.



### UZMANĪBU

Neapstrādājiet materiālus, kas satur azbestu (azbests tiek uzskatīts par vēža izraisītāju).



### UZMANĪBU

Ja darba gaitā var izdalīties veselībai kaitīgi, ugunsnedroši vai sprādzienbīstami putekļi (dažu materiālu putekļi var izraisīt vēzi), nēsājiet putekļu aizsargmasku un pielietojiet putekļu/skaidu uzsūkšanu, ja elektroinstrumenta konstrukcija ļauj tam pievienot vakuumsūkšanas ierīci.

## APKĀRTĒJĀ VIDE

### ATBRĪVOŠANĀS NO NOLĪETOTAJIEM IZSTRĀDĀJUMIEM

Elektroinstrumentis, tā piederumi un iesaiņojuma materiāli ir jāsašķiro, sagatavojot tos atbilstīgai pārstrādei apkārtējai videi nekaitīgā veidā.

## TIKAI EIROPAS VALSTĪM



Neizmetiet nolietotos elektroinstrumentus sadzīves atkritumu tvērtņē!

Saskaņā ar Eiropas Savienības direktīvu 2002/96/ES par nolietotajām elektriskajām un elektroniskajām ierīcēm un šīs direktīvas atspoguļojumiem nacionālajā likumdošanā, lietošanai nederīgie elektroinstrumenti jāsavāc, jāizjauc un jānodod otrreizējai pārstrādei apkārtnējam videi nekaitīgā veidā.

## TEHNISKIE PARAMETRI

### VISPĀRĒJIE PARAMETRI

Nominālais spriegums . . . . . 7,2 V  
Nominālā ietilpība . . . . . 0,7 Ah  
Griešanās ātrums tukšgaitā .  $n_0$  10000/20000 min<sup>-1</sup>  
Turētājaptveres aptverespēja . 0,8 mm, 1,6 mm, 2,4 mm, 3,2 mm

### PAGARINĀTĀJKABEĻI

Lietojiet pilnīgi attīstus un droši izmantojamus pagarinātājkabeļus, kas paredzēti vismaz 5 A strāvai.

## SALIKŠANA

PIRMS APKALPOŠANAS UN DARBINSTRUMENTA VAI TURĒTĀJAPTVERES NOMAIŅAS VIENMĒR IZSLĒDZIET INSTRUMENTU.

### VISPĀRĒJAIS RAKSTUROJUMS

Šim Dremel multiinstrumentam piemīt augsta precizitāte, kas ļauj to izmantot sarežģītu un precīzu darbu veikšanai. Firmas Dremel plašais darbinstrumentu un piederumu klāsts ļauj lietot multiinstrumentu visdažādākajiem uzdevumiem. To skaitā ir tādi sarežģīti darbi, kā slipešana, izgriešana, gravēšana, frēzēšana, griešana, tīrīšana un pulēšana. ATTĒLS 1

#### ATTĒLS 2

- A. Turētājaptveres uzgrieznis
- B. Turētājaptvere
- C. Nosegvāciņš
- D. Taustiņš darbvārpstas fiksēšanai
- E. Rokturis
- F. Ventilācijas atveres
- G. Ieslēgšanas/izslēgšanas slēdzis un ātruma iestatašanas ripa
- H. Atbrīvošanas kontakts
- I. Akumulators
- J. Lādētājs

### AKUMULATORA UZLĀDE

Akumulatora elektroinstrumenti tiek piegādāti ar daļēji uzlādētu akumulatoru. Šis elektroinstrumenti tiek komplektēti ar izņemamu akumulatoru. Pirms elektroinstrumenta lietošanas pilnīgi uzlādējiet tā akumulatoru.

Lai uzlādētu elektroinstrumenta akumulatoru, rīkojieties šādi.

1. Pārvietojiet slēdzi izslēgtā stāvoklī "OFF". ATTĒLS 2
2. Piespiediet fiksatoru akumulatora abās pusēs un izvelciet akumulatoru no elektroinstrumenta. ATTĒLS 2
3. Savietojiet akumulatora ārējo profilu ar uzlādes ierīces kontaktatveres ārējo profilu (bultām uz akumulatora korpusa jāsakrīt ar bultām uz uzlādes ierīces), tad piespiediet akumulatora fiksatorus, ievietojiet akumulatoru uzlādes ierīces kontaktatverē un atļaidiet fiksatorus, ļaujot akumulatoram fiksēties.
4. Pievienojiet uzlādes ierīci elektroklam. Zaļa mirdzdiodes indikators iedegšanās liecina, ka akumulators ir pievienots uzlādes ierīcei un notiek tā uzlāde. Normāli lietojot akumulatoru tā pilnīgi uzlādei nepieciešamas 3 stundas. Pēc uzlādes beigām mirdzdiodes indikators izdziest.
5. Pēc uzlādes piespiediet akumulatora fiksatorus un izvelciet to no uzlādes ierīces.
6. Savietojiet akumulatora ārējo profilu ar elektroinstrumenta korpusa ārējo profilu. Piespiediet akumulatora fiksatorus, no mugurpusēs ievietojiet akumulatoru elektroinstrumenta korpusā un atļaidiet fiksatorus, ļaujot akumulatoram fiksēties paredzētajā vietā.

### SVARĪGI NORĀDĪJUMI PAR AKUMULATORA UZLĀDI

1. Dažu pirmo uzlādes ciklu laikā akumulators nodrošina tikai aptuveni 80% no savas maksimālās ietilpības. Taču pēc dažiem uzlādes/izlādes cikliem akumulatora ietilpība pieaug līdz maksimālajai vērtībai.
2. Uzlādes ierīce ir paredzēta akumulatora paātrinātai uzlādei tikai tad, ja tā temperatūra ir robežās no 4 °C līdz 41 °C.
3. Ja ievērojami samazinās elektroinstrumenta darbības ilgums starp uzlādēm, tas liecina, ka akumulators ir nolietojies un to nepieciešams nomainīt.

*PIEZĪME: Lietojot kopā ar elektroinstrumentu uzlādes ierīces vai akumulatorus, kas nav pārdoti firmas Dremel tirdzniecības tīklā, garantijas saistības zaudē spēku.*

## TURĒTĀJAPTVERES

Multiinstrumentam paredzētajiem firmas Dremel piederumiem ir dažāda izmēra kāti. Lai multiinstrumentu pielāgotu visiem šiem darbinstrumentiem, tas tiek piegādāts kopā ar ātru izmēru turētājaptverēm. Turētājaptveres izmēru nosaka gredzenu skaits uz tās aizmugures daļas.

#### ATTĒLS 3

- L. 3,2 mm turētājaptvere bez gredzena
- M. 2,4 mm turētājaptvere ar trim gredzeniem
- N. 1,6 mm turētājaptvere ar diviem gredzeniem
- O. 0,8 mm turētājaptvere ar vienu gredzenu

Vienmēr izmantojiet turētājaptveri, kuras izmērs atbilst lietojamā darbinstrumenta kāta izmēram. Nemēģiniet ar spēku ievietot lielāka izmēra darbinstrumenta kātu mazāka izmēra turētājaptverē.

### TURĒTĀJAPTVERES NOMAIŅA

#### ATTĒLS 4

- P. Taustiņš darbvārpstas fiksēšanai
- Q. Turētājaptveres atslēga
- R. Pieskrūvēšana

## S. Atskrūvēšana

### T. Turētājaptveres uzgrieznis

1. Nospiediet darbvārpstas fiksēšanas taustiņu un, turot to nospiestu, ar roku grieziēt darbvārpstu, līdz tā fiksējas. *Nepārvietojiet darbvārpstas fiksēšanas taustiņu laikā, kad multiinstruments darbojas.*
2. Turot nospiestu darbvārpstas fiksēšanas taustiņu, noskrūvējiet turētājaptveres uzgriezni. Ja nepieciešams, lietojiet šim nolūkam turētājaptveres atslēgu.
3. Izvelciet turētājaptveri no darbvārpstas stiprinājuma.
4. Ievietojiet darbvārpstas stiprinājumā vajadzīgā izmēra turētājaptveri un ar pirkstiem pieskrūvējiet turētājaptveres uzgriezni. Nemēģiniet līdz galam pieskrūvēt uzgriezni, ja turētājaptverē neatrodas darbinstrumenta kāts.

## DARBINSTRUMENTA NOMAIŅA

### ATTĒLI 4

#### P. Taustiņš darbvārpstas fiksēšanai

1. Nospiediet darbvārpstas fiksēšanas taustiņu un, turot to nospiestu, grieziēt darbvārpstu, līdz tā fiksējas. *Nenospiediet fiksēšanas taustiņu laikā, kad multiinstruments darbojas.*
2. Turot nospiestu darbvārpstas fiksēšanas taustiņu, atskrūvējiet (bet nenoskrūvējiet) turētājaptveres uzgriezni. Ja nepieciešams, lietojiet šim nolūkam turētājaptveres atslēgu.
3. Līdz galam ievietojiet turētājaptverē darbinstrumenta vai piederuma kātu.
4. Turot darbvārpstas fiksēšanas taustiņu, ar pirkstiem pieskrūvējiet turētājaptveres uzgriezni, līdz darbinstrumenta vai piederuma kāts tiek stingri iespiests turētājaptverē. Lai līdz galam pieskrūvētu turētājaptveres uzgriezni, lietojiet turētājaptveres atslēgu.

*PIEZĪME: Lai iegūtu sīkāku informāciju par firmas Dremel darbinstrumenta lietošanu, noteikti izlasiet kopā ar to piegādāto lietošanas pamācību.*

Lietojiet tikai firmā Dremel ražotus labi pārbaudītus augstas kvalitātes darbinstrumentus.

## DARBA UZSĀKŠANA

### LIETOŠANA

Pirmais solis multiinstrumenta lietošanā ir pierast pie tā. Paturiet instrumentu rokā un izjūtiēt tā svaru un līdzsvarojumu. Pierodiet pie tā izstieptās konusveida formas. Tā ļauj turēt multiinstrumentu līdzīgi tam, kā tiek turēts zīmulis vai pildspalva. Unikāls mikstais pārklājums multiinstrumenta priekšējā daļā ļauj to ērti turēt un droši vadīt. *Netuviniēt elektroinstrumentu sejai. Darba laikā rotējošie darbinstrumenti var salūzt, un to daļas var lidot ar lielu ātrumu. Turot elektroinstrumentu, nenesedziet ar roku tā ventilācijas atveres. Nosegtas ventilācijas atveres var būt par cēloni dzinēja pārkaršanai.* SVARĪGI! Lai pierastu pie multiinstrumenta lielā griešanās ātruma, veiciet apstrādes mēģinājumus uz materiāla atgriezumā. Atercieties, ka multiinstruments vislabāk darbojas pie pietiekoši liela ātruma,

kopā ar to izmantojot pareizi izvēlētos firmas Dremel darbinstrumentus un piederumus. Lietojot multiinstrumentu, iespēju robežās strādājiet ar nelielu spiedienu uz darbinstrumentu. Lēni tuviniet rotējošo darbinstrumentu apstrādājamā priekšmeta virsmai un ļaujiet tam saskarties ar virsmu punktā, no kura vēlaties sākt apstrādi. Uzmaņīgi vadiet darbinstrumentu pa apstrādājamo virsmu, izdarot uz to minimālu spiedienu. Ļaujiet darbinstrumentam darīt darbu pašam. Labāki rezultāti parasti tiek sasniegti tad, ja apstrāde notiek vairākos paņēmiens, pārvietojot darbinstrumentu par apstrādes vietu vairākas reizes. Ar darbinstrumentu veiciet skartie apstrādājamo virsmu, jo tad elektroinstrumentu ir vieglāk vadīt un samazinās iespēja kļūties. Multiinstrumentu ir vieglāk vadīt, turot to kā zīmuli starp īkšķi un rādītājpirkstu. ATTĒLS 6

Multiinstrumentu ieteicams turēt kā golfa nūju, ja veicams smagāks darbs, piemēram, slīpēšana vai griešana ar abrazīvo disku. ATTĒLS 7

## GRIEŠANĀS ĀTRUMS

Šis ir daudzfunkcionāls ātras darbības instruments. Tā apriezienu skaitu minūtē var iestatīt uz 10000 vai 20000 min<sup>-1</sup>. Apriezienu skaita izvēle atkarībā no veicamā darba nodrošinās optimālus rezultātus. Lai, strādājot ar dažādiem materiāliem, gūtu optimālus rezultātus, iestatiet ātruma vadības ripu atbilstoši veicamajam darbam. Lai atlasītu izmantotajam piederumam atbilstošu ātrumu, vispirms pamēģiniet veikt darbu, lietojot materiāla atgriezumus.

Uz ātruma iestatīšanas ripas ir atzīmēti 7,2 V Ni Cd daudzfunkcionālā instrumenta slēdža iestatījumi. Vairumu darbu iespējams veikt, darbinot elektroinstrumentu ar maksimālo griešanās ātrumu. Taču dažus materiālus (dažu veidu plastmasas un metālus) var bojāt siltums, kas pie liela griešanās ātruma izdalās apstrādes vietā, tāpēc tie jāapstrādā ar relatīvi nelielu griešanās ātrumu. Neliels griešanās ātrums (15000 min<sup>-1</sup> vai mazāks) parasti ir optimāls, veicot pulēšanu ar filca pulēšanas piederumiem. Visu veidu apstrāde ar suku ir veicama ar nelielu griešanās ātrumu, kas ļauj novērst stieplu atdalīšanos no turētāja. Darbinot elektroinstrumentu ar nelielu griešanās ātrumu, ļaujiet tam darīt darbu pašam. Lielāku griešanās ātrumu ieteicams izmantot, apstrādājot cietas koka šķirnes, metālu un stiklu un veicot urbšanu, gravēšanu, griešanu, frēzēšanu, šķēršfrēzēšanu un gropju iefrēzēšanu koka.

Daži norādījumi attiecībā uz elektroinstrumenta griešanās ātrumu.

- Plastmasa un citi materiāli ar zemu kušanas temperatūru jāgriež ar nelielu griešanās ātrumu.
- Materiālu pulēšana un tīrīšana ar stiepli suku jāveic ar griešanās ātrumu, kas nepārsniedz 15000 min<sup>-1</sup> jo tas ļauj novērst sukas un apstrādājamā materiāla sabojāšanu.
- Koka griešana jāveic ar lielu griešanās ātrumu.
- Dzelzs un tērauda griešana jāveic ar lielu griešanās ātrumu.
- Ja ātrgriezējītērauda griešanas disks sāk vibrēt, tas parasti norāda, ka diska griešanās ātrums ir pārāk mazs.
- Alumīniņu, vara, svina un cinka sakausējumus un alvu var griezt ar dažādu ātrumu, kas jāizvēlas atkarībā no veicamā darba rakstura. Lai novērstu griežamā materiāla pielīpšanu griešanas darbinstrumentam, pārklājiet darbinstrumentu ar parafīnu vai citiem eļļojošajiem šķidrumiem (taču ne ar ūdeni).

*PIEZĪME: Ja apstrāde nenotiek ar pietiekošu ātrumu, elektroinstrumenta veiktspēja neuzlabosies, palielinot spiedienu uz to. Lai panāktu vēlamo rezultātu, mēģiniet lietot cita tipa darbinstrumentu vai izmainiet elektroinstrumenta griešanās ātrumu.*

## APKALPOŠANA

*Elektroinstrumenta apkalpošanas laikā, ko veicis nepilnvarots personāls, var tikt izmainīts iekšējo savienotāju un citu sastāvdaļu novietojums, kas var radīt nopietnas briesmas lietotājam. Mēs iesakām visus elektroinstrumenta apkalpošanas darbus veikt firmas Dremel pilnvarotā tehniskās apkalpošanas iestādē. Lai izvairītos no elektriskā trieciena un savainojumiem elektroinstrumenta patvaļīgas ieslēgšanās dēļ, pirms tīrīšanas vai apkalpošanas vienmēr to izslēdziet.*

### ELEKTROINSTRUMENTA TĪRĪŠANA

PIRMS TĪRĪŠANAS IZSLĒDZIET ELEKTROINSTRUMENTU

Elektroinstrumenta ventilācijas atverēm un slēdzim jābūt tīram un nenosprostotam. Nemēģiniet tīrīt elektroinstrumentu, ievadot tā ventilācijas atverēs tievus priekšmetus.

*Elektroinstrumenta tīrīšanai jāizmanto saspiegts gaiss. Veicot elektroinstrumenta tīrīšanu ar saspiegtu gaisu, vienmēr uzlieciet aizsargbrilles.*

Firmas Dremel multiinstrumentam nav nepieciešama eļļošana.

*Daži tīrīšanas līdzekļi un šķīdinātāji bojā elektroinstrumenta plastmasas daļas. Pie tādiem pieder benzīns, oglekļa tetrahlorīds, hlora saturoši šķīdinātāji, amonjaks un mājāsaimniecībā lietojamie mazgāšanas līdzekļi, kas satur amonjaku.*

Ar mitru drānu notīriet instrumenta rokturi un "tam apkārt".

Atsevišķām korpusa daļām var būt nepieciešama pamatīgāka tīrīšana.

## APKALPOŠANA UN GARANTĪJA

Šim firmas DREMEL izstrādājumam ir noteikta garantija atbilstoši spēkā esošajai starptautiskajai un nacionālajai likumdošanai. Garantija neattiecas uz bojājumiem, kuru cēlonis ir elektroinstrumenta normāla nolietošāšanās, pārslodze vai nepareiza apiešanās ar to.

Rodoties pretenzijām, nosūtiet elektroinstrumentu *neizjauktā veidā* uz tuvāko specializēto tirdzniecības vietu kopā ar iegādes datumu apliecināšu dokumentu.

### KONTAKTI AR FIRMU DREMEL

Lai saņemtu sīkāku informāciju par firmas Dremel izstrādājumu sortimentu, lietotāju atbalstu un konsultāciju tālruna numuru, atveriet interneta vietni [www.dremel.com](http://www.dremel.com)

Dremel Europe, P.O. Box 3267, 4800 DG Breda, Nīderlande





**Dremel Europe  
The Netherlands**

2610Z00155 1209

[www.dremel.com](http://www.dremel.com)

All Rights Reserved