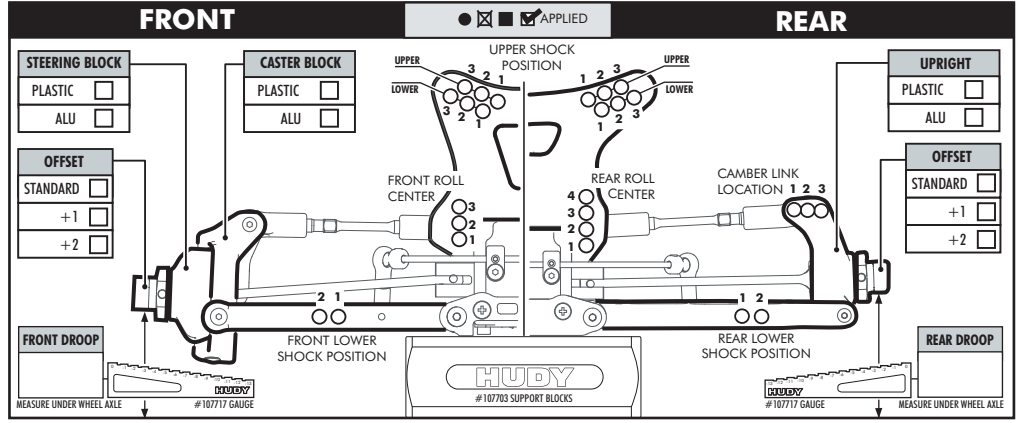


# SET-UP SHEET

# XRAY BOBE

<b>RACE</b>			
<b>TRACK</b>			
NAME			
CITY / COUNTRY			
CONTACT			
<b>DATE</b>			
TEMPERATURE / AIR		TRACK	
°F or °C			
LAPS	FINAL POSITION	BEST LAPTIME/SEC	RACE LENGTH/MIN.



<b>TRACK SIZE</b>	<input type="checkbox"/> OPEN	<input type="checkbox"/> MEDIUM	<input type="checkbox"/> TIGHT
<b>TRACK TRACTION</b>	<input type="checkbox"/> HIGH	<input type="checkbox"/> MEDIUM	<input type="checkbox"/> LOW
<b>TRACK SURFACE</b>	<input type="checkbox"/> SMOOTH	<input type="checkbox"/> MEDIUM	<input type="checkbox"/> BUMPY
<b>TRACK TYPE</b>	<input type="checkbox"/> HARD PACKED	<input type="checkbox"/> SOFT DIRT	<input type="checkbox"/> CLAY
	<input type="checkbox"/> BLUE GROOVE	<input type="checkbox"/> ASTRO TURF	<input type="checkbox"/> GRASS
<b>TRACK CONDITION</b>	<input type="checkbox"/> DRY	<input type="checkbox"/> DUSTY	<input type="checkbox"/> WET
	<input type="checkbox"/> MUD		

DIFFERENTIALS		
TYPE		
FRONT	CENTER	REAR
DIFFERENTIAL - OIL		

GEARING			
PINION	T	SPUR GEAR	T
DIFF. PINION	T	CROWN GEAR	T

FRONT		SHOCKS		REAR	
#358182 C = 0.65	<input type="checkbox"/>	WHITE	<input type="checkbox"/>	#358282 C = 0.47	<input type="checkbox"/>
#358183 C = 0.70	<input type="checkbox"/>	GREY	<input type="checkbox"/>	#358283 C = 0.50	<input type="checkbox"/>
#358184 C = 0.75	<input type="checkbox"/>	SILVER	<input type="checkbox"/>	#358284 C = 0.53	<input type="checkbox"/>
#358185 C = 0.80	<input type="checkbox"/>	GREY-BLUE	<input type="checkbox"/>	#358285 C = 0.57	<input type="checkbox"/>
#358186 C = 0.86	<input type="checkbox"/>	BLUE	<input type="checkbox"/>	#358286 C = 0.61	<input type="checkbox"/>
#358187 C = 0.92	<input type="checkbox"/>	VIOLET	<input type="checkbox"/>	#358287 C = 0.65	<input type="checkbox"/>
#358188 C = 0.98	<input type="checkbox"/>	PURPLE	<input type="checkbox"/>	#358288 C = 0.70	<input type="checkbox"/>
OTHER					
OIL / cST					
BLADDER					
REBOUND / %					
<input type="checkbox"/> 1.2 mm	<input type="checkbox"/>	<input type="checkbox"/> 1.2 mm	<input type="checkbox"/>	<input type="checkbox"/> 1.2 mm	<input type="checkbox"/>
<input type="checkbox"/> 1.3 mm	<input type="checkbox"/>	<input type="checkbox"/> 1.3 mm	<input type="checkbox"/>	<input type="checkbox"/> 1.3 mm	<input type="checkbox"/>
<input type="checkbox"/> 1.4 mm	<input type="checkbox"/>	<input type="checkbox"/> 1.4 mm	<input type="checkbox"/>	<input type="checkbox"/> 1.4 mm	<input type="checkbox"/>
<input type="checkbox"/> 1.5 mm	<input type="checkbox"/>	<input type="checkbox"/> 1.5 mm	<input type="checkbox"/>	<input type="checkbox"/> 1.5 mm	<input type="checkbox"/>
PISTONS HOLES SIZE					
<input type="checkbox"/> 1.2 mm	<input type="checkbox"/>	<input type="checkbox"/> 1.2 mm	<input type="checkbox"/>	<input type="checkbox"/> 1.2 mm	<input type="checkbox"/>
<input type="checkbox"/> 1.3 mm	<input type="checkbox"/>	<input type="checkbox"/> 1.3 mm	<input type="checkbox"/>	<input type="checkbox"/> 1.3 mm	<input type="checkbox"/>
<input type="checkbox"/> 1.4 mm	<input type="checkbox"/>	<input type="checkbox"/> 1.4 mm	<input type="checkbox"/>	<input type="checkbox"/> 1.4 mm	<input type="checkbox"/>
<input type="checkbox"/> 1.1 mm	<input type="checkbox"/>	<input type="checkbox"/> 1.1 mm	<input type="checkbox"/>	<input type="checkbox"/> 1.1 mm	<input type="checkbox"/>
OTHER					

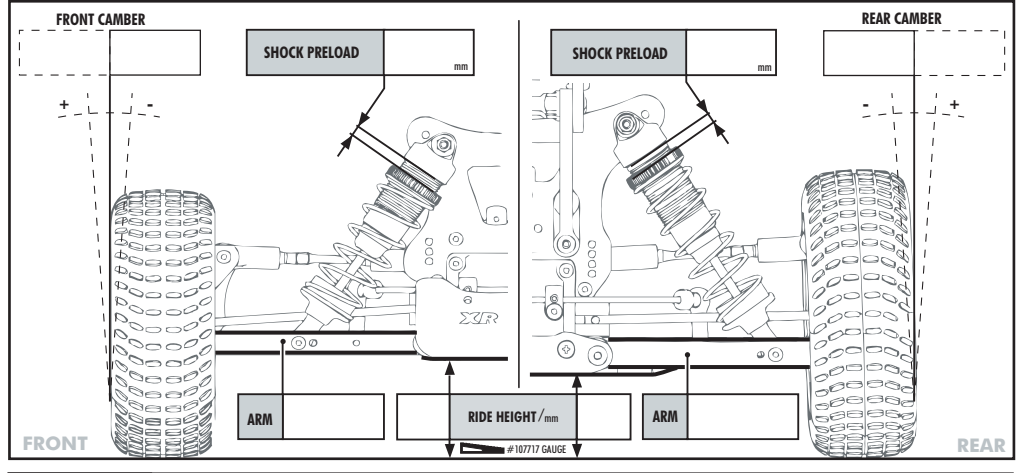
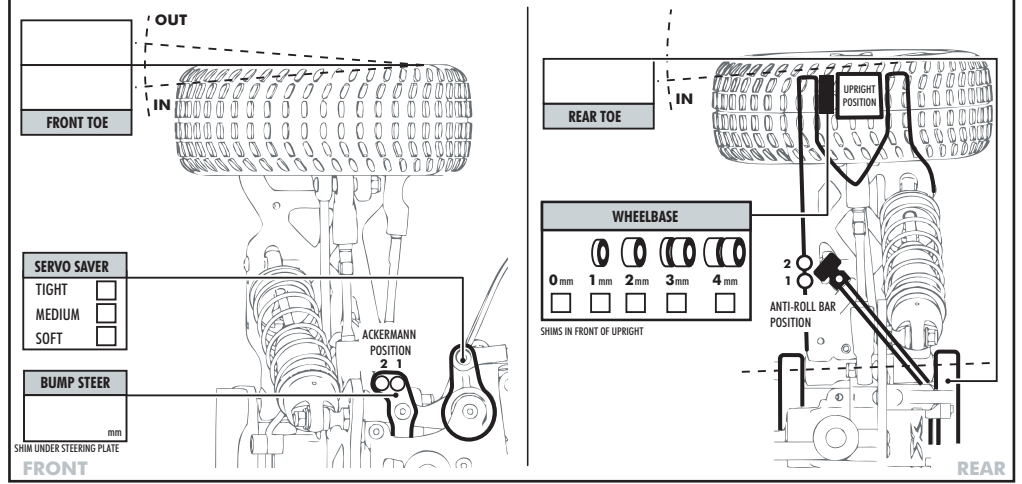
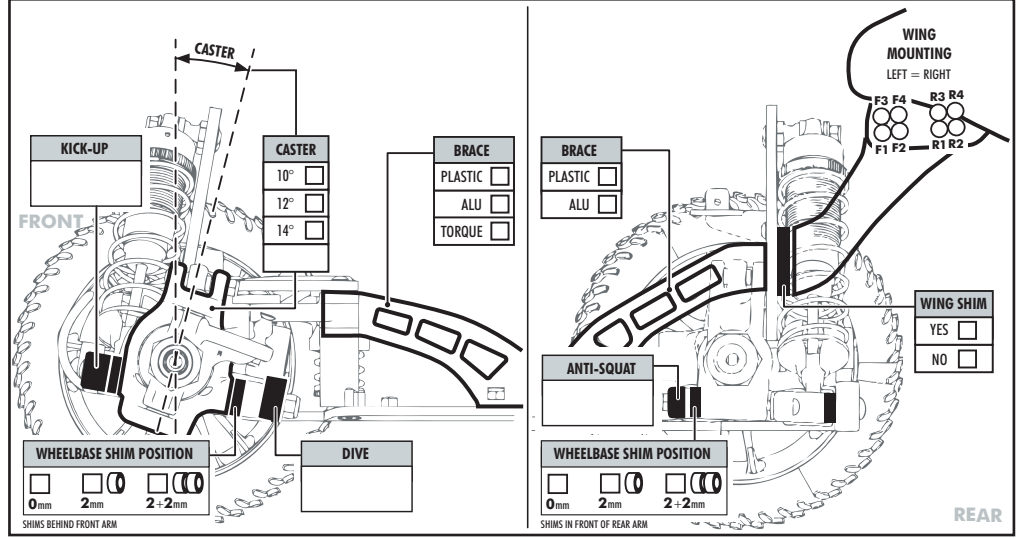
FRONT		ANTI ROLL BAR		REAR	
		THICKNESS / mm			

FRONT		TIRES		REAR	
		TYPE			
		INSERTS			
		WHEELS			

ELECTRONICS			
MOTOR			
TIMING		ROTOR	
ESC		BATTERIES	

BRUSHLESS	PROGRAM	PUNCH
	INITIAL BRAKE	AUTO BRAKE

BODY	
TYPE	



<b>COMMENTS</b>