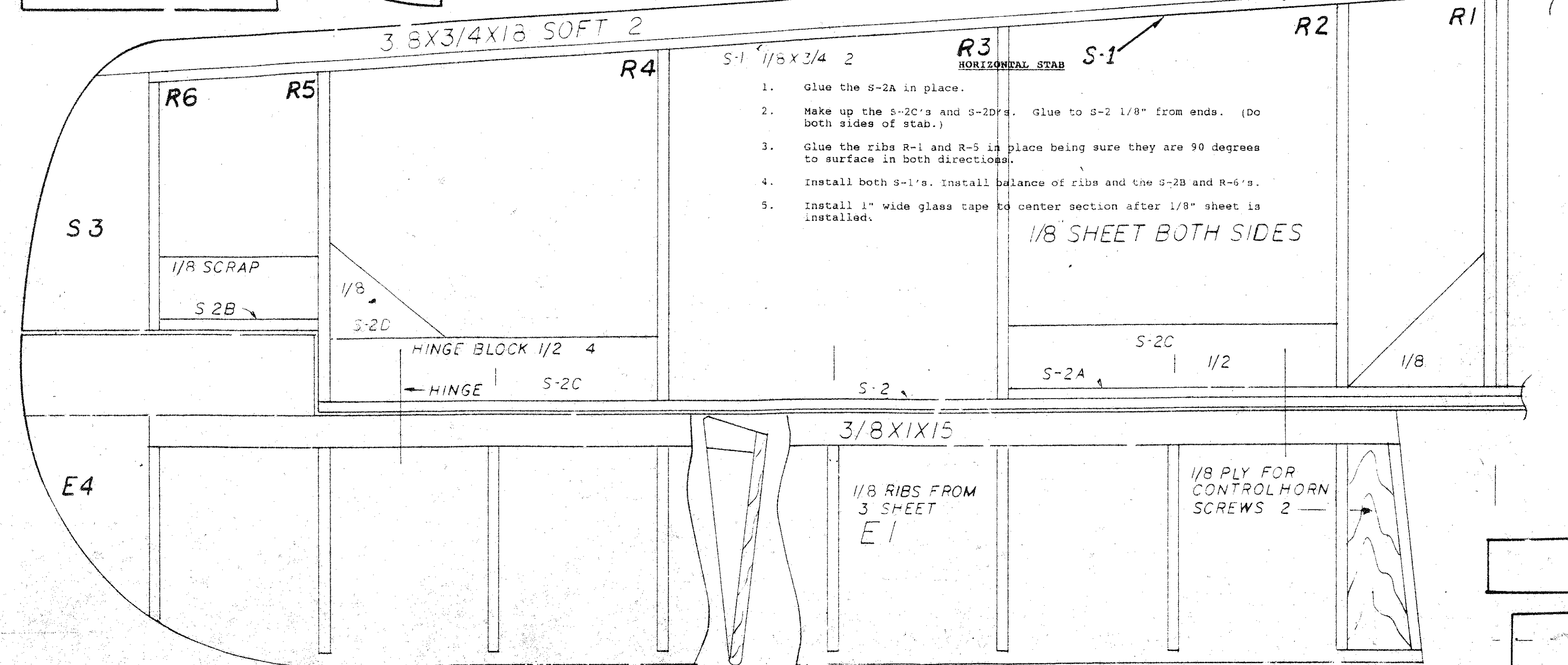
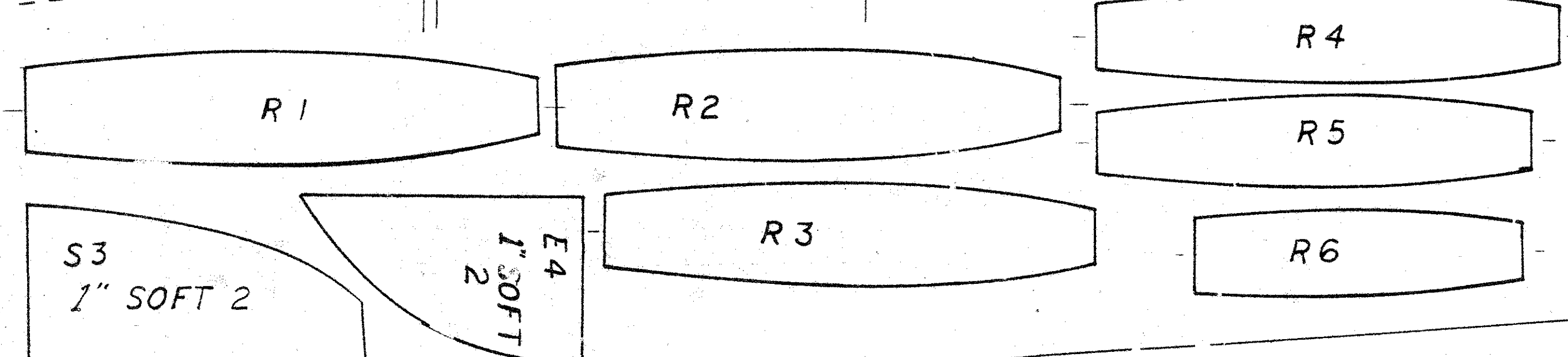
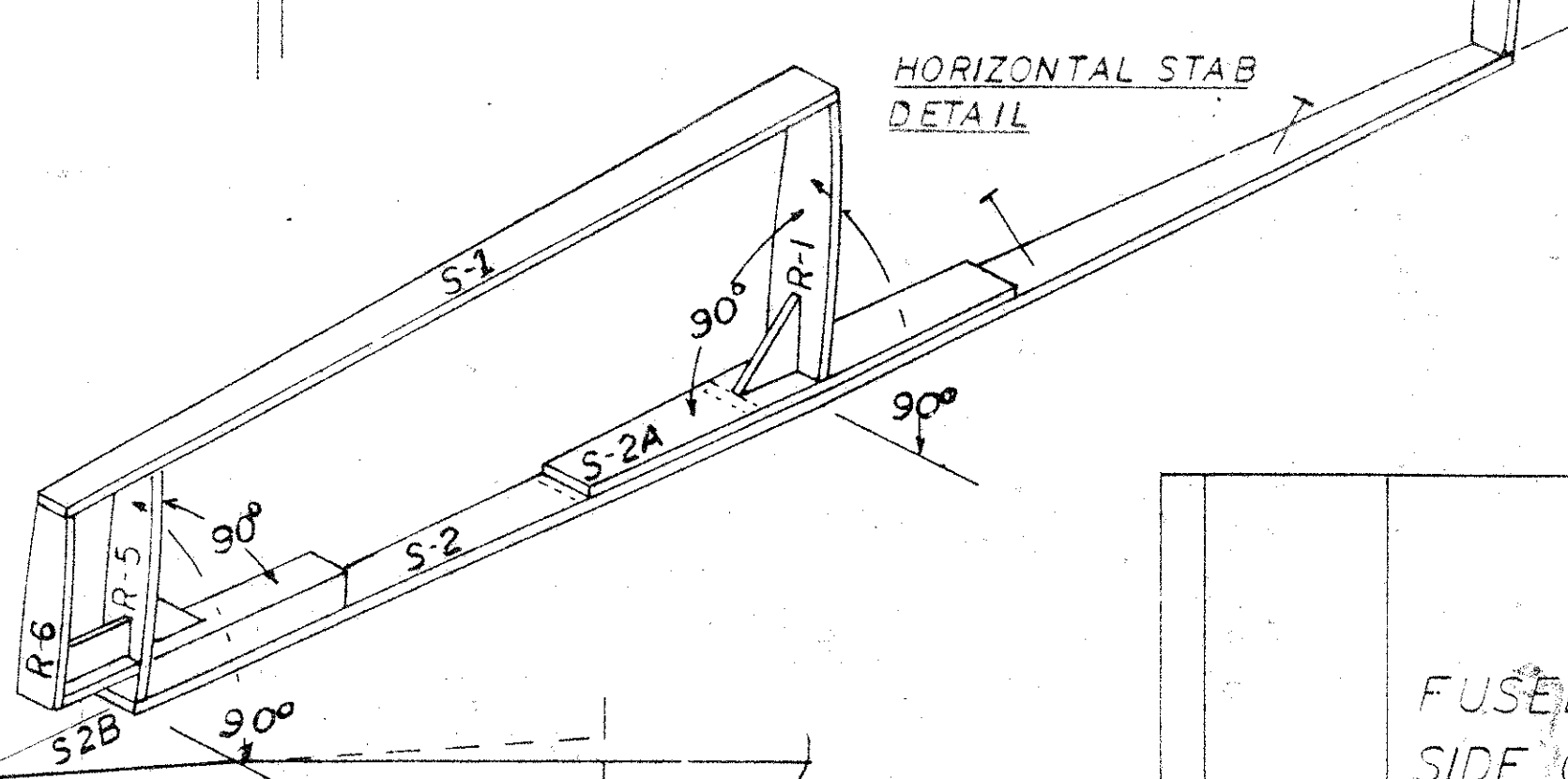


GENERAL INSTRUCTIONS

1. This kit is a complete assembly kit for the fuselage and wing. The fuselage is made of balsa wood and the wing is made of balsa wood and paper. The fuselage is made of balsa wood and the wing is made of balsa wood and paper. The fuselage is made of balsa wood and the wing is made of balsa wood and paper.
2. The fuselage is made of balsa wood and the wing is made of balsa wood and paper. The fuselage is made of balsa wood and the wing is made of balsa wood and paper.
3. The fuselage is made of balsa wood and the wing is made of balsa wood and paper. The fuselage is made of balsa wood and the wing is made of balsa wood and paper.
4. The fuselage is made of balsa wood and the wing is made of balsa wood and paper. The fuselage is made of balsa wood and the wing is made of balsa wood and paper.
5. The fuselage is made of balsa wood and the wing is made of balsa wood and paper. The fuselage is made of balsa wood and the wing is made of balsa wood and paper.

FINISHING

1. The fuselage is made of balsa wood and the wing is made of balsa wood and paper. The fuselage is made of balsa wood and the wing is made of balsa wood and paper.



MARKINGS

Make all markings from pressure sensitive vinyl available from vinyl sign companies. Patterns for the early black and white markings are provided in order to cover all possible choices of schemes, early and late styles. See details on templates.

1. If using early style markings, the crosses are cut from black vinyl at the extreme bottom of the landing gear. Then cut the white or red vinyl parts. Install the black part using acetone and water. Squeeze the liquid from under the vinyl. Now remove part of the marking from the white vinyl 1/8" and position for the cross. Press applied vinyl sticky area down. Now remove balance of marking and press in place.

The swastika is made from white vinyl then the inside black part is cut and installed to the white in the same manner, or you could put the black swastika onto smooth white vinyl then cut the white background. (NOTE)

THIS AREA ONLY IS USED FOR LATE INSIGNIA BLACK

