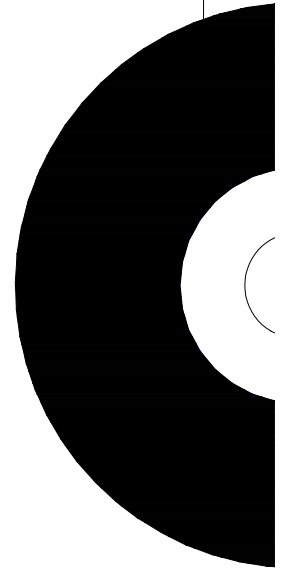
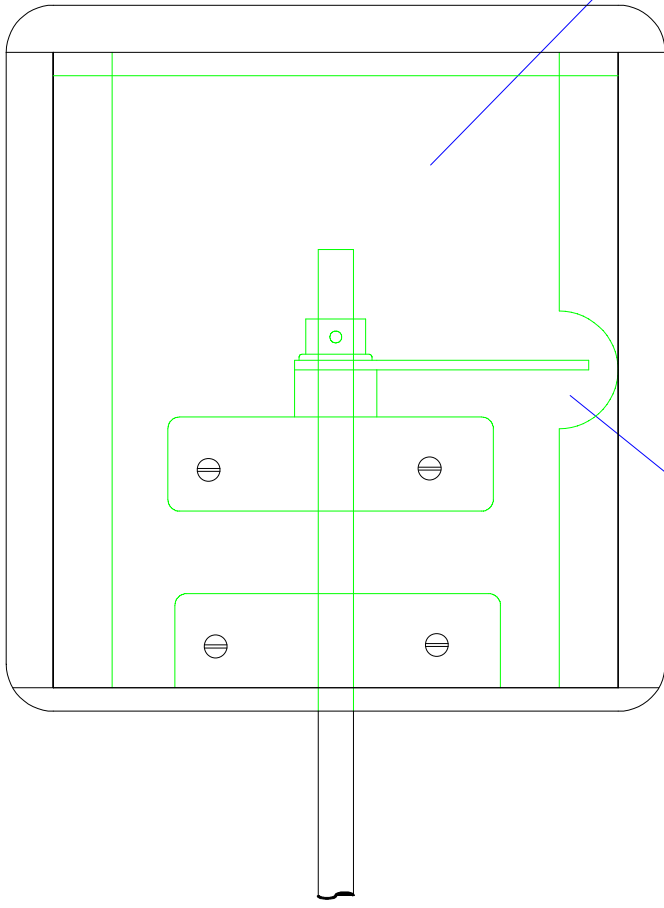
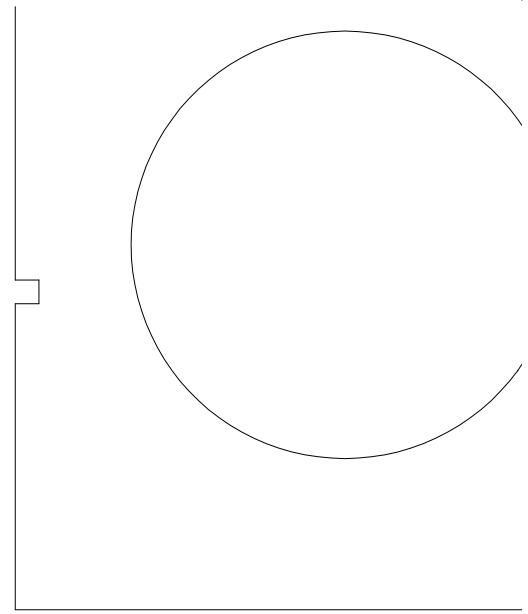
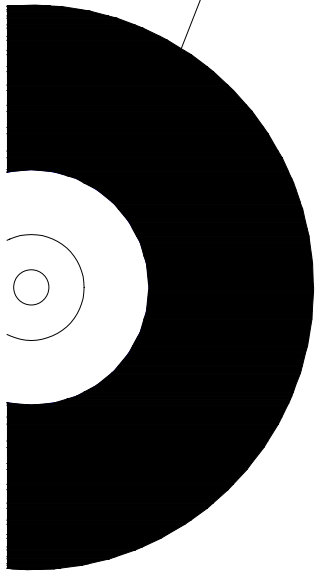


2 - 3/4" NOSE WHEEL



3" □

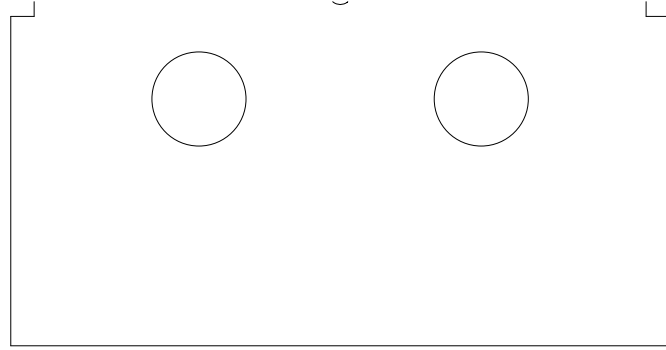
CUT OUT TO
EDGE STOCK
STEERING
CLEARANCE



F-2 1/4'

2 3-1/4" MAIN WHEELS

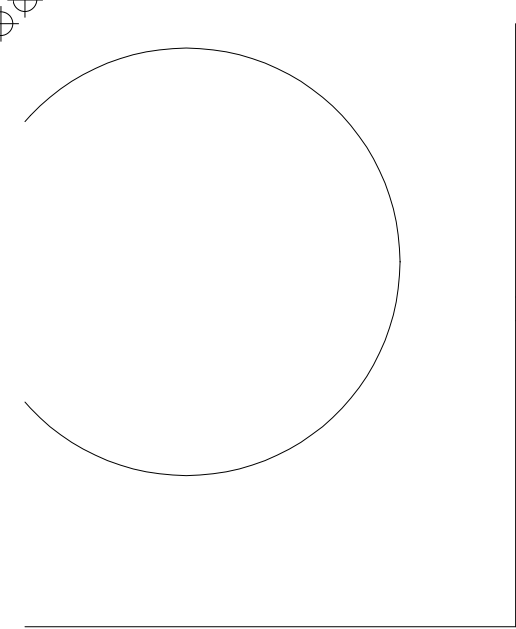
AILING
FOR
RM



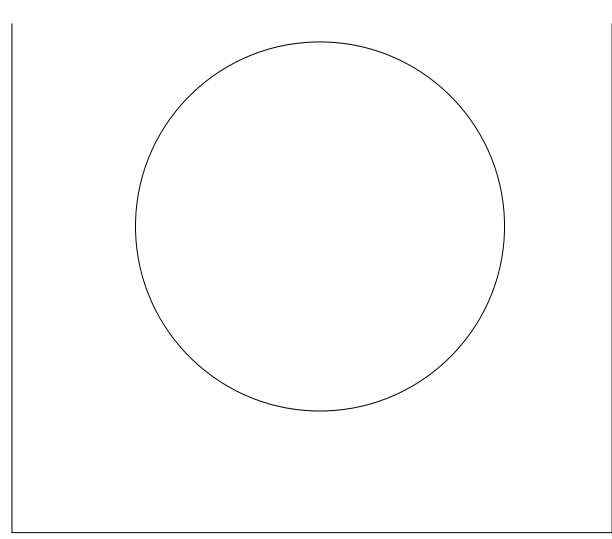
F-3 1/4" SHEET Balsa

" SHEET Balsa

F-

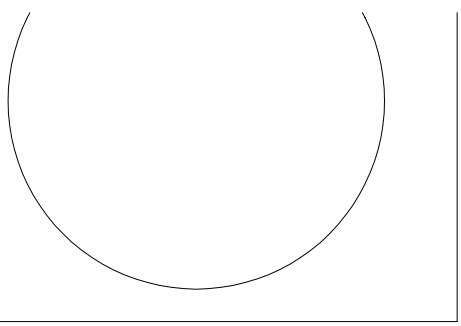


-4 1/4" SHEET



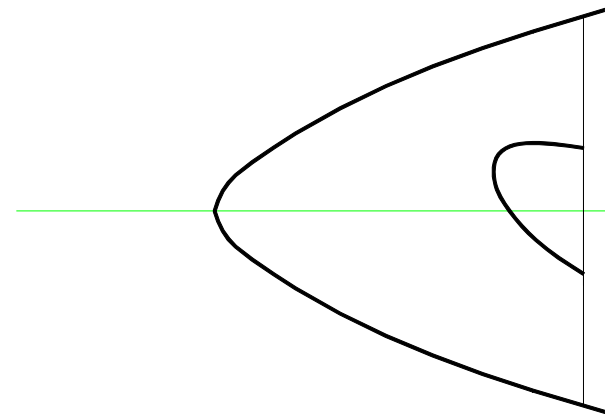
F-5 3/16" SHEET

BALSA

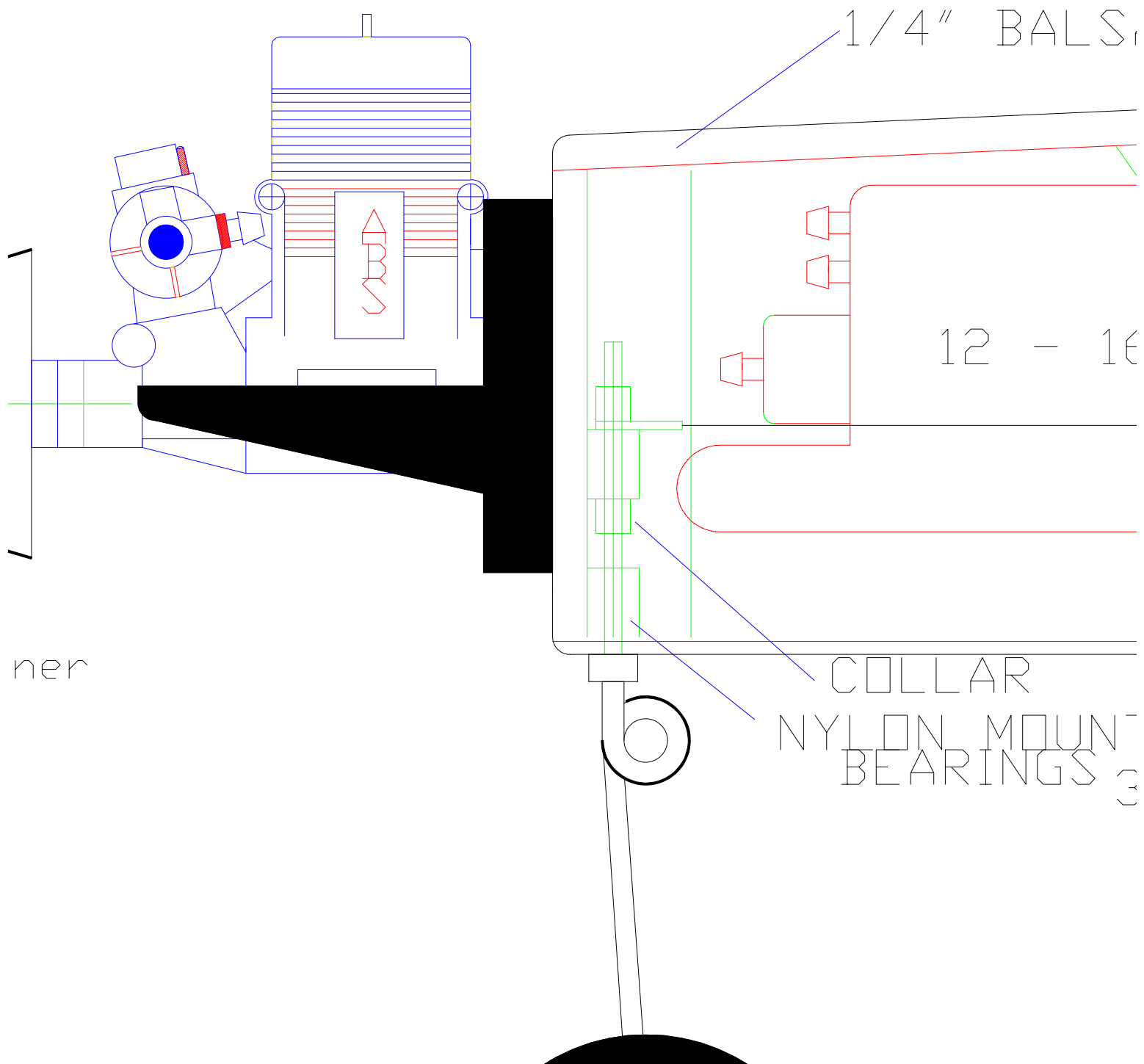


F-6 3/16" SHEET Balsa

Balsa



2 1/4" Spin



1/4" BALS...

12 - 1€

COLLAR
 NYLON MOUNT
 BEARINGS

ner

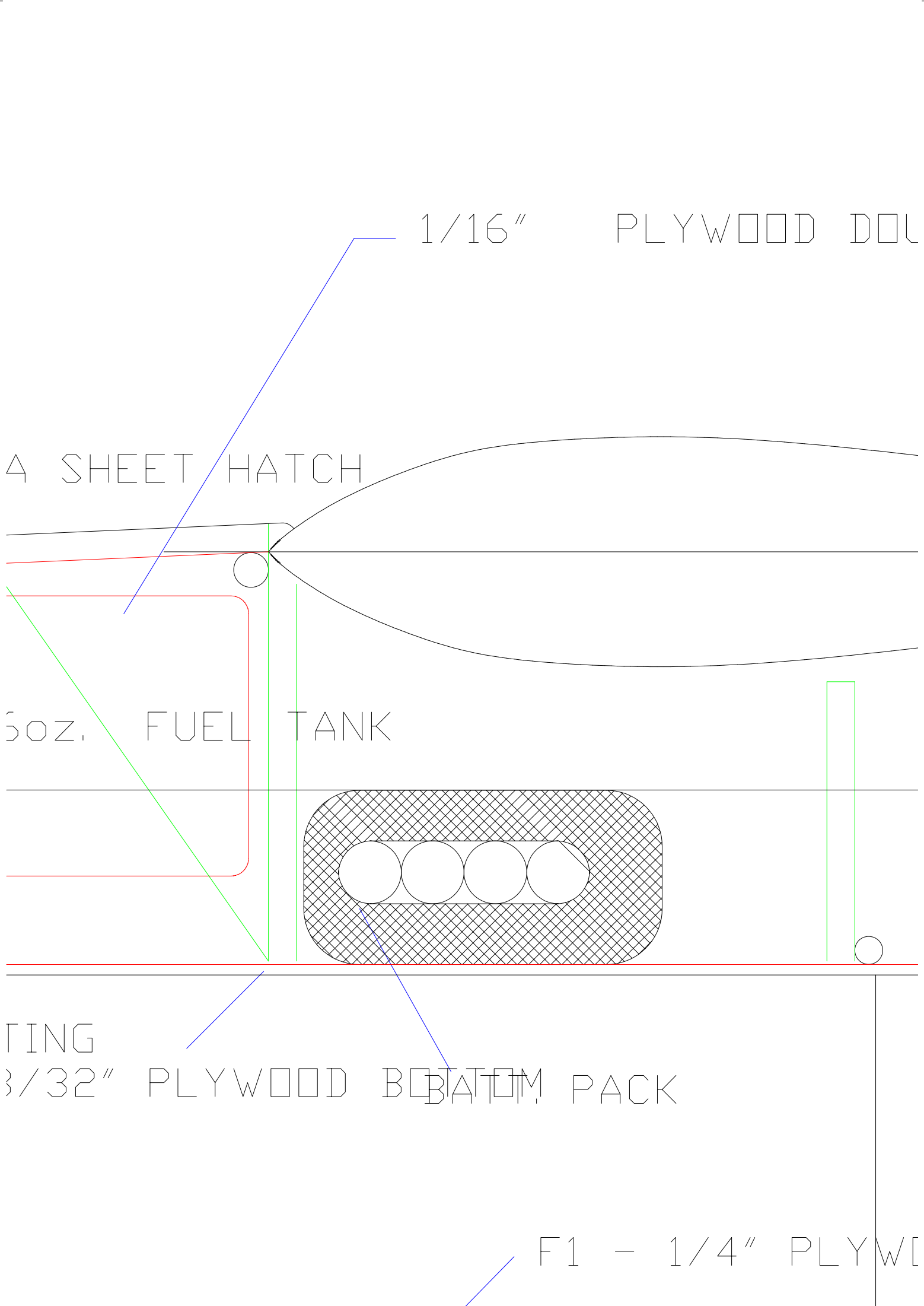
1/16" PLYWOOD DOOR

4 SHEET HATCH

5oz. FUEL TANK

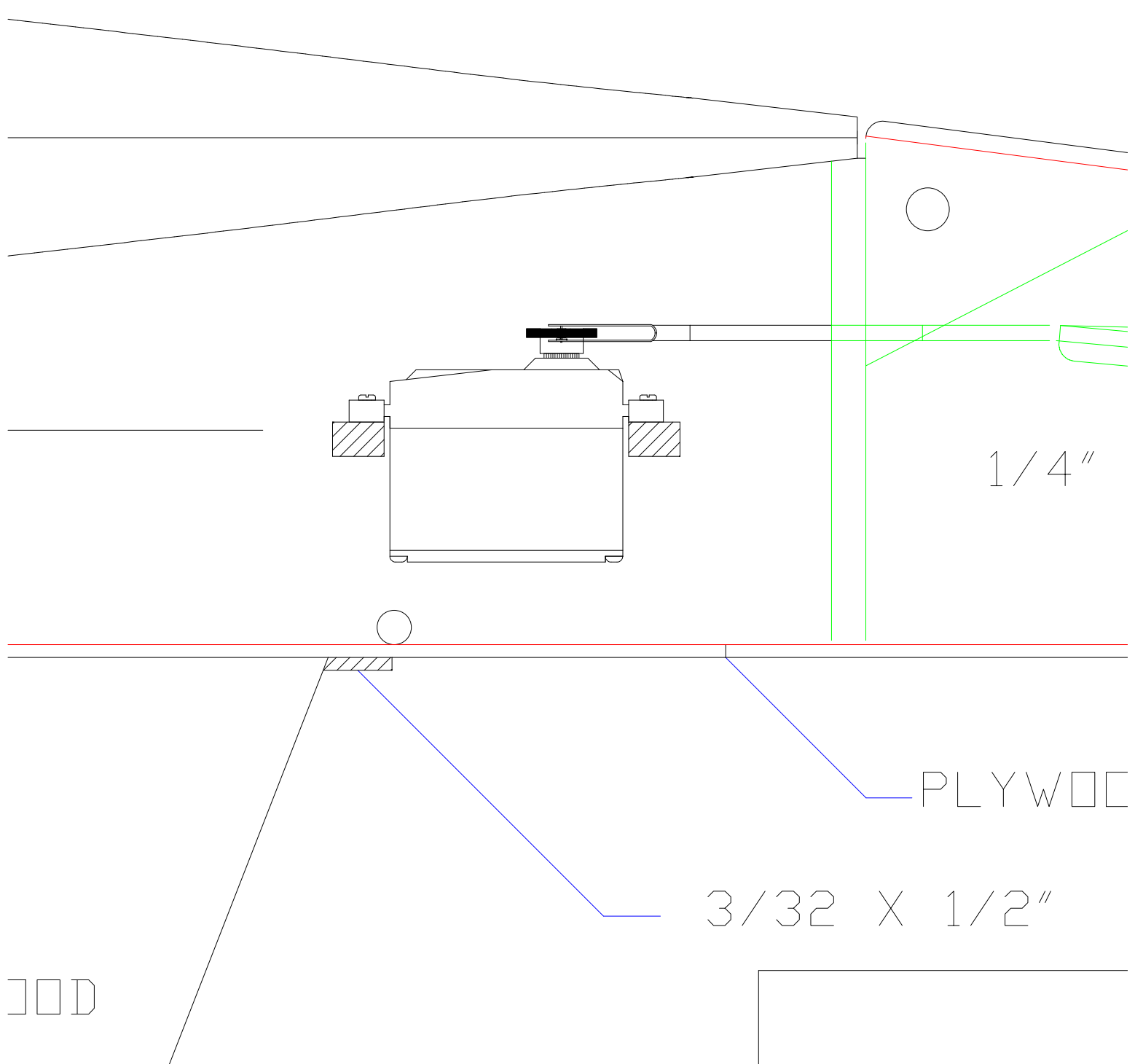
HING
3/32" PLYWOOD BOTTOM PACK

F1 - 1/4" PLYWOOD



1/4" DOWELS

JBLER



1/4"

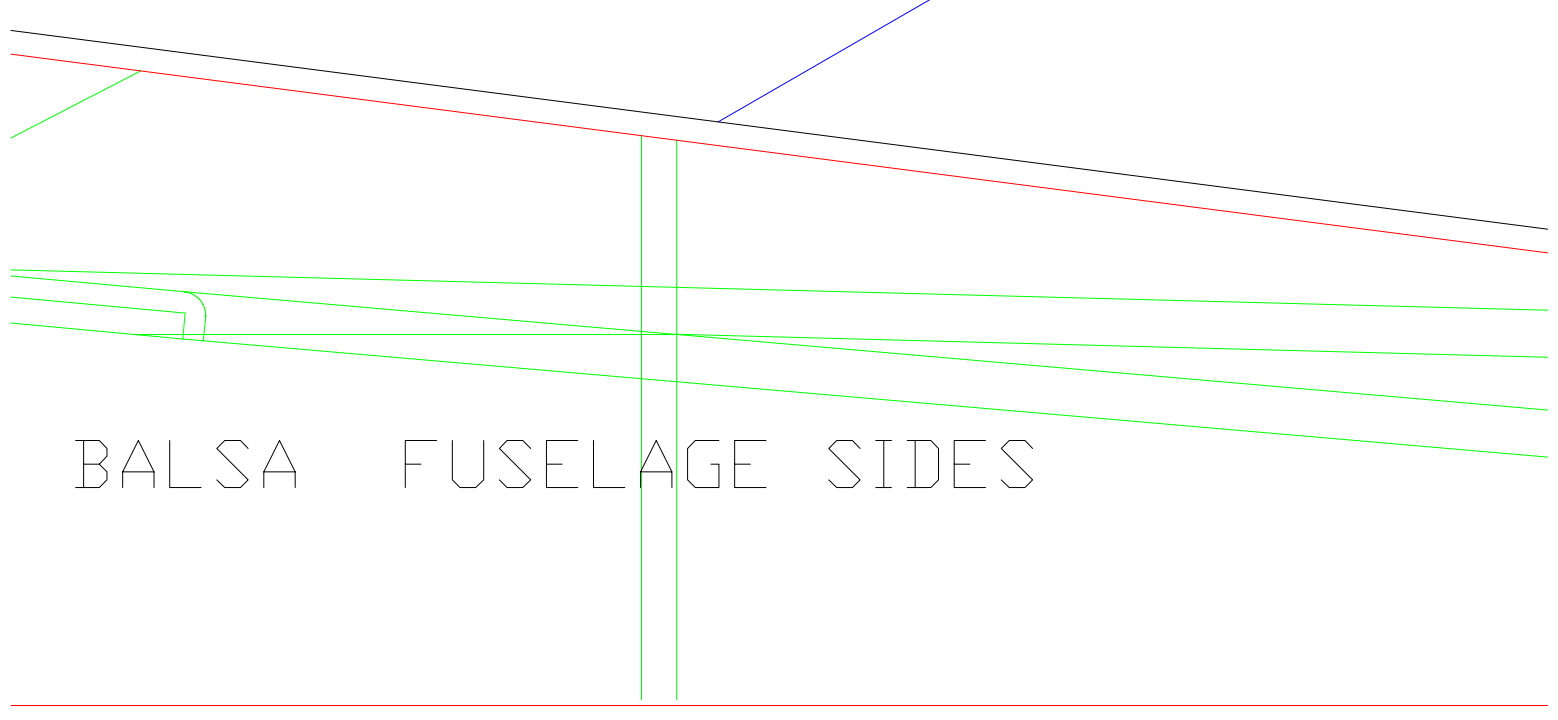
PLYWOOD

3/32 X 1/2"

30D

B2 C4

1/8" Balsa

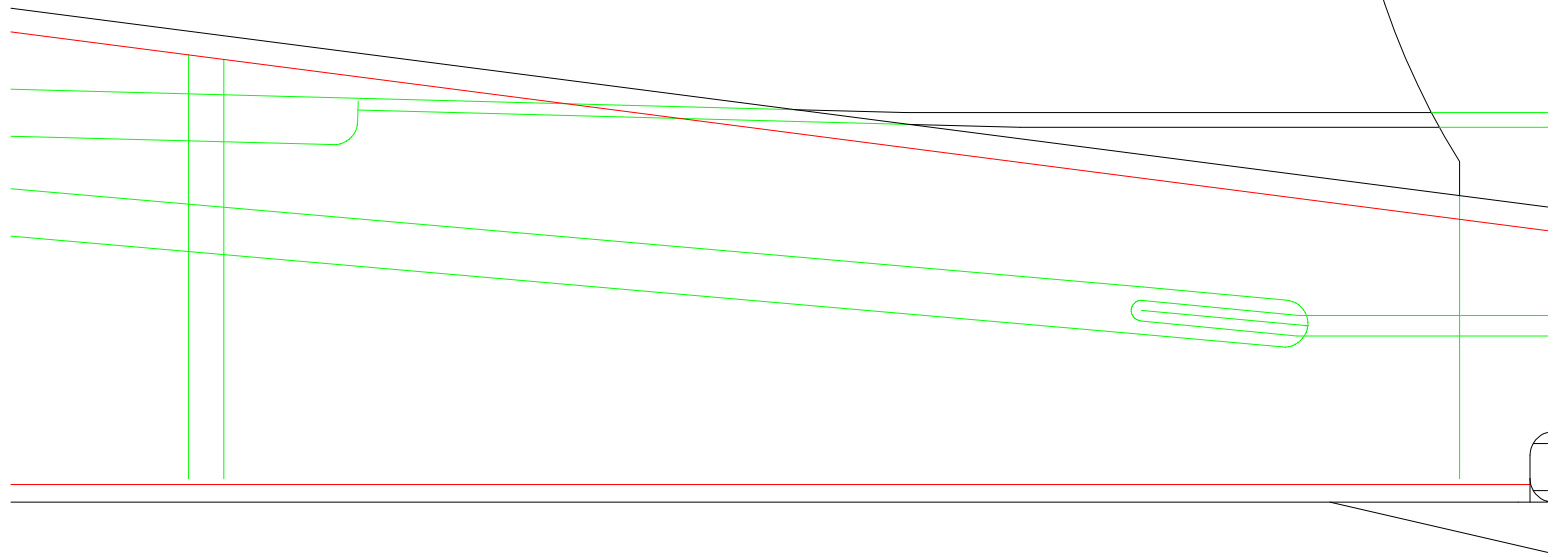


Balsa Fuselage Sides

ID Bottom Ends Here 3/32" Balsa She

Plywood Landing Gear Stop

SHEET TOP



ET BOTTOM

1/4" SHEET BALSAM FIN 1/4" SHEET

1/4" PLYW

3/16" SHEET SUB RUDDER

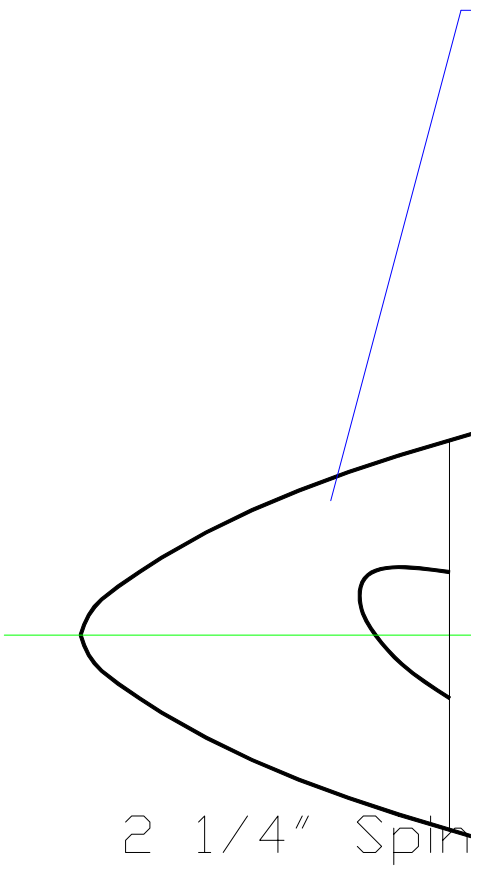
1/16" DTAMP 1/16"



BALSA RUDDER

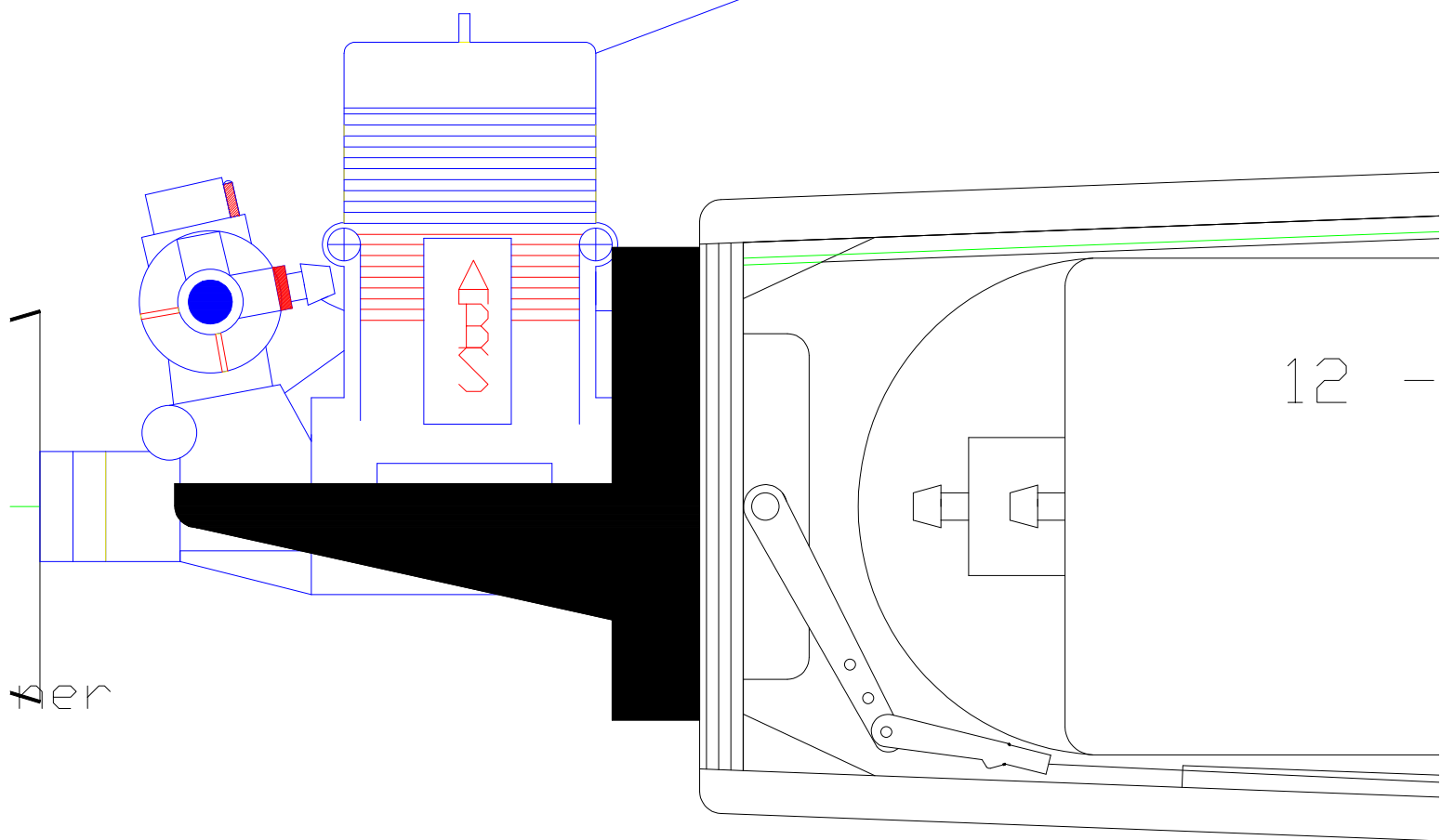
OOD INSERT

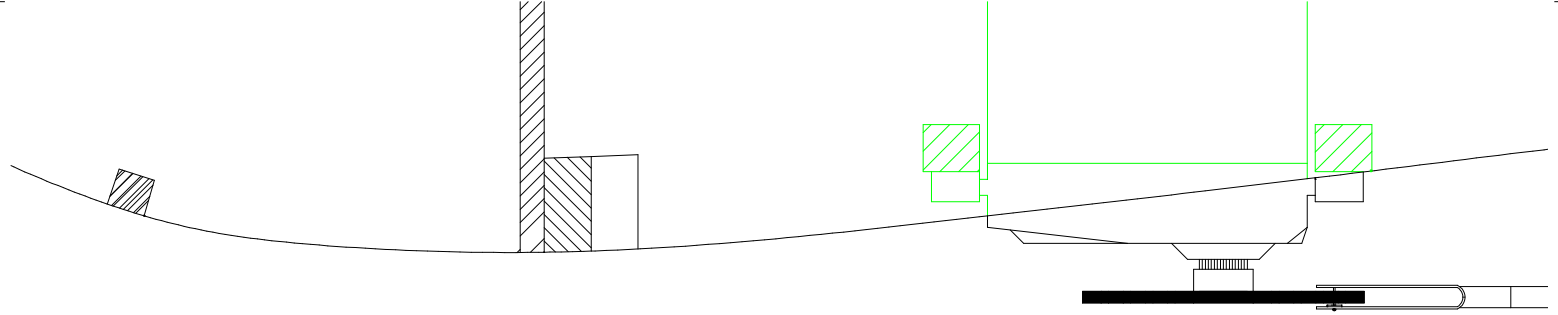




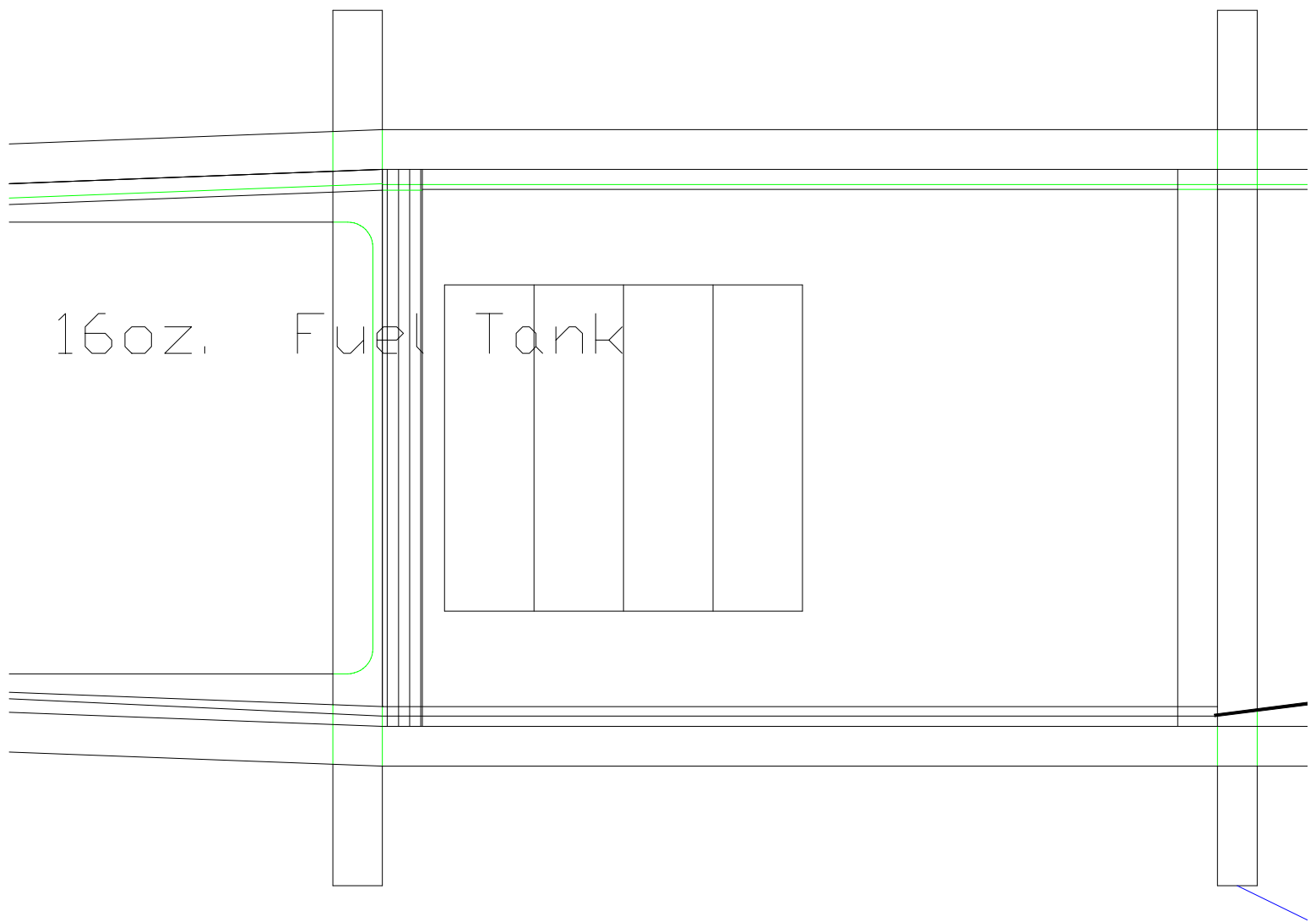
1 $1\frac{11}{32}$ " x $\frac{1}{4}$ " Balsa
SAND TO SHAPE

— 2 $1\frac{1}{2}$ " Spinner .45 to .60

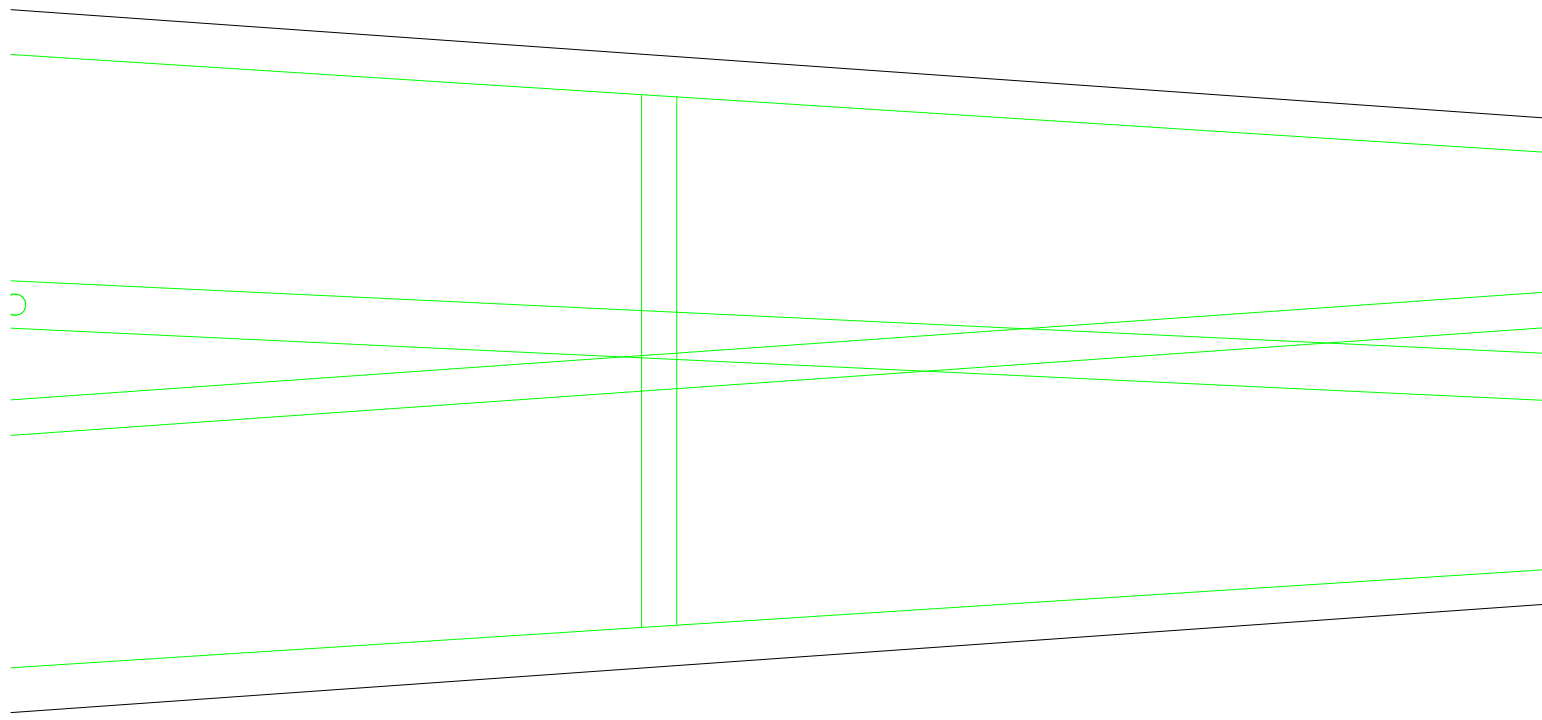
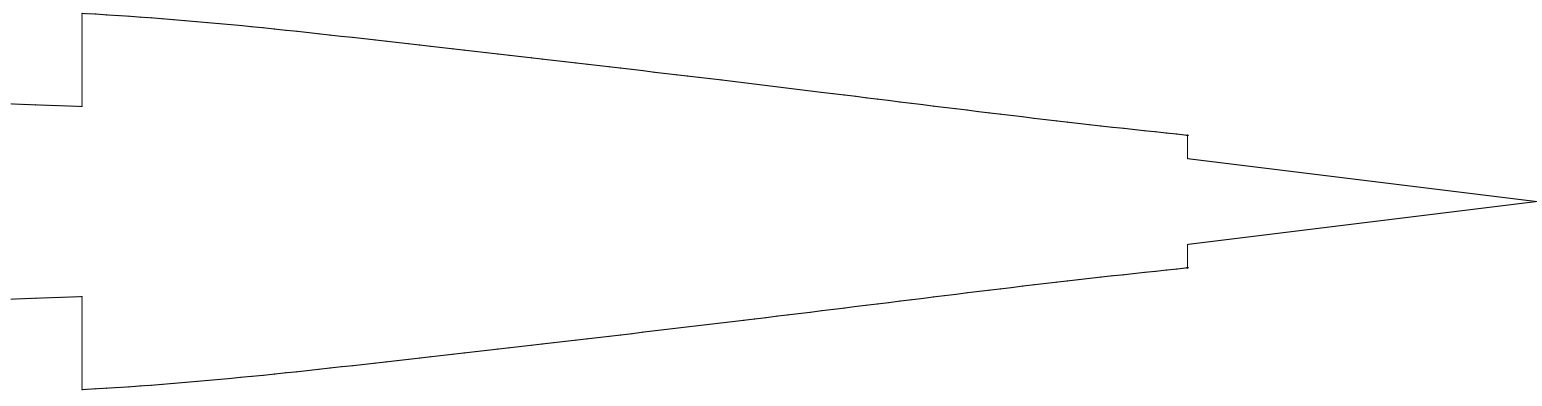




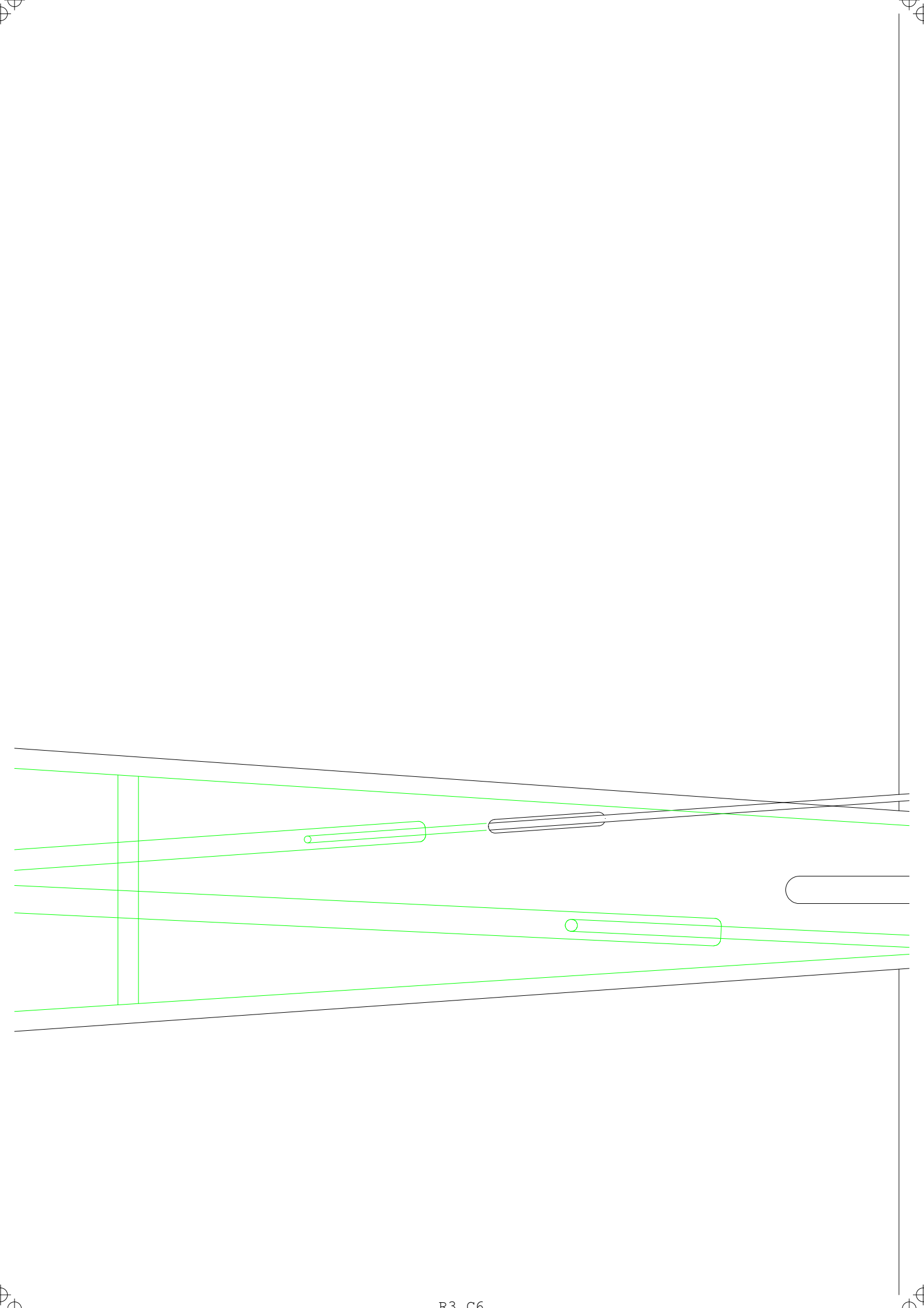
Engine



SE RIBS ARE 7/8" Balsa



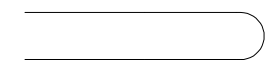
— 5/16" WING HOLD DOWN DOWELS

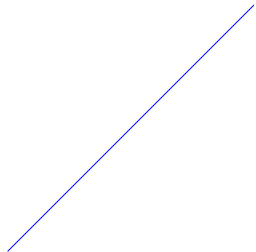


1/16" Balsa Sheet
TOP AND BOTTOM

1/8" X 3/16"

1/4" SHEET Balsa EL



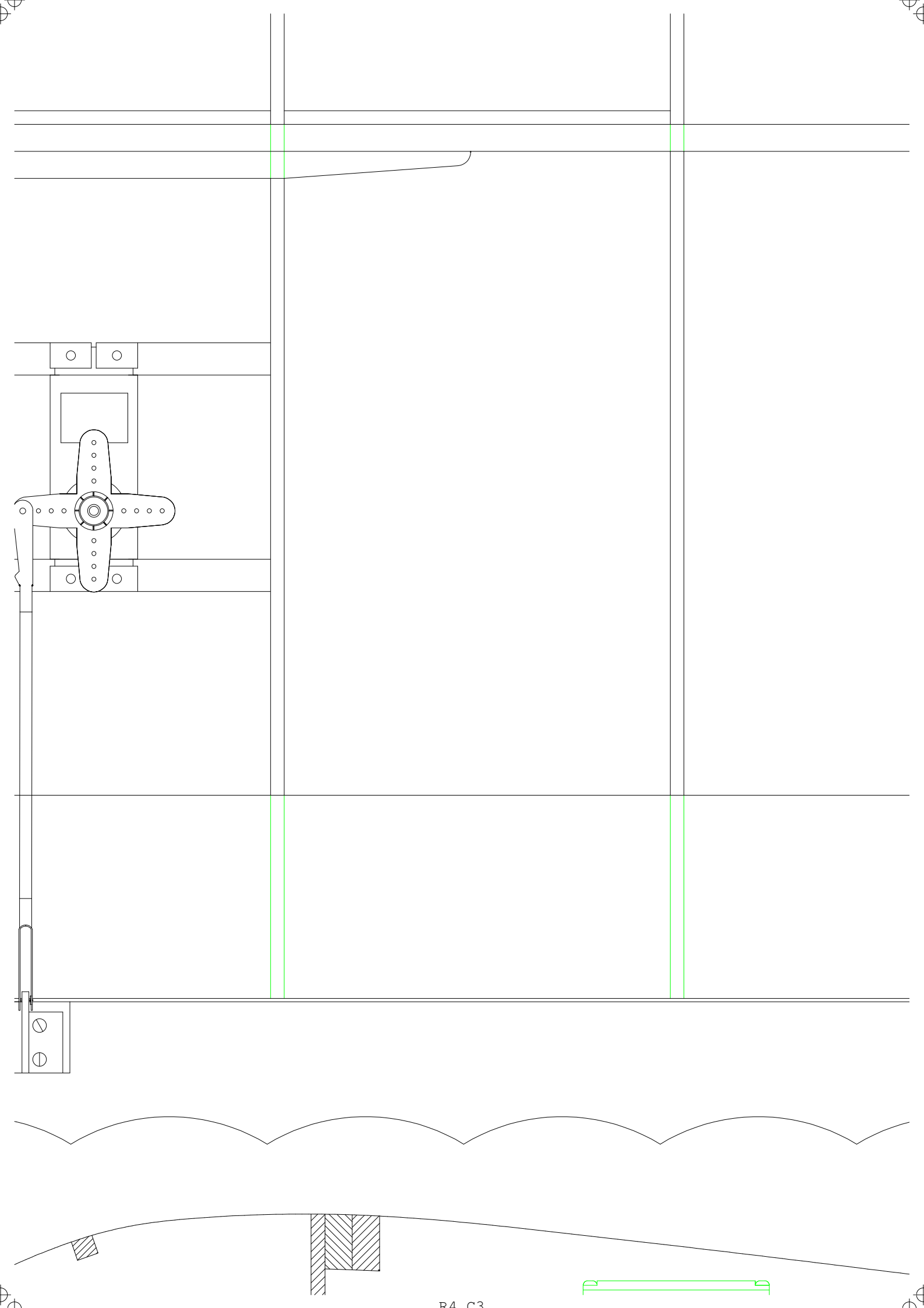


1/2" ROCKE
TUBE FOR
EXTENTION

1 7/

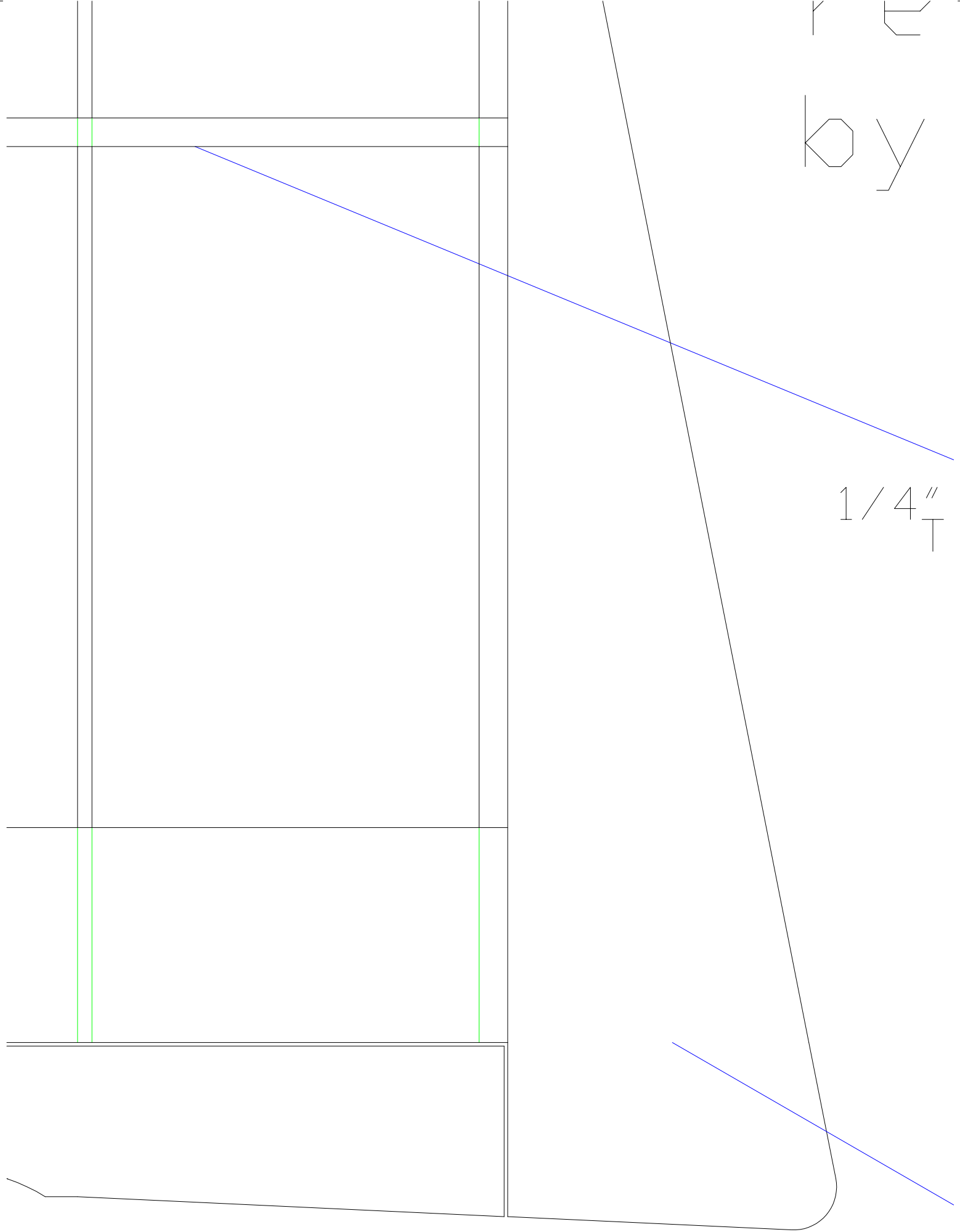
T BODY
AILERON
WIRES

1/8" TRAILING EDGE CAP



KEY
by

1/4" T



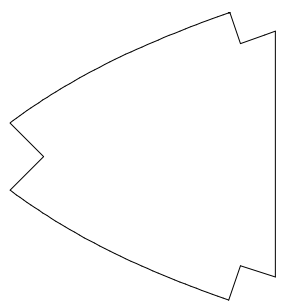
RIBS FROM 1/8" BASLA
FROM 1/4" Balsa

TI

ERIGIRTEER EU III

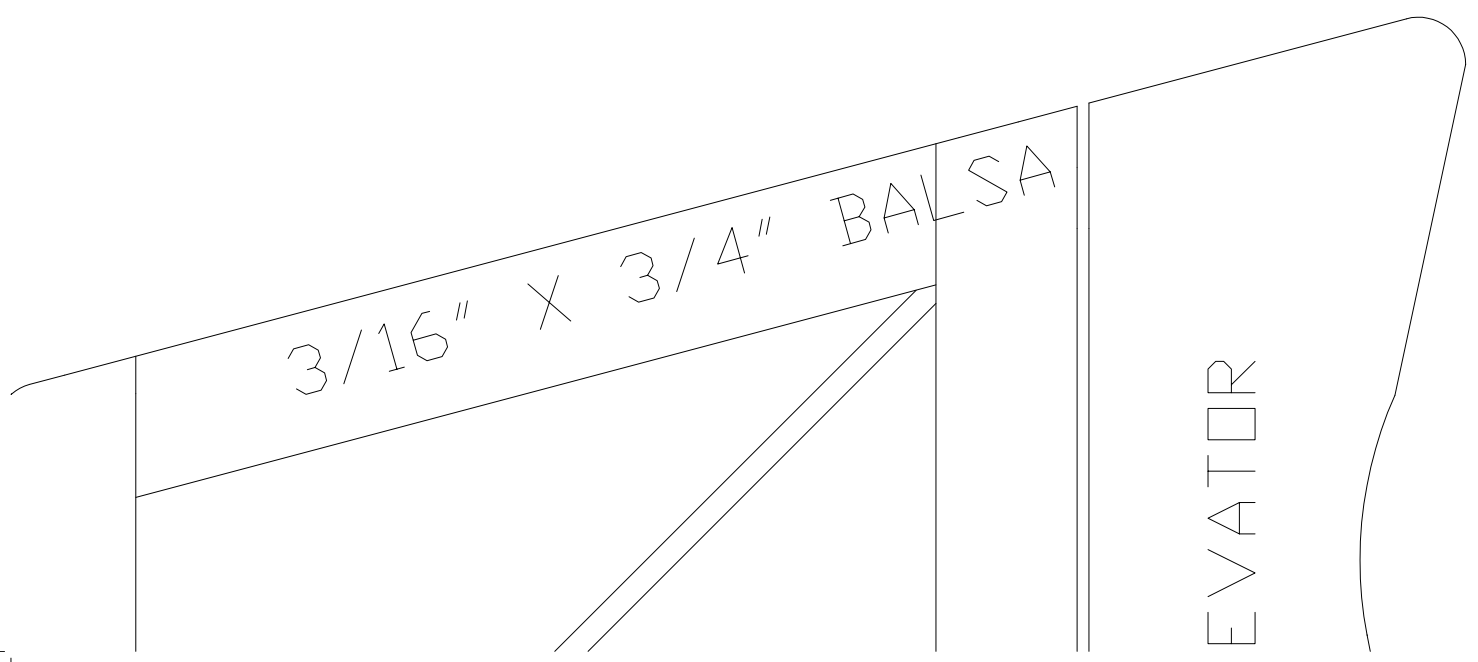
Guy Fuller 1999

X 1/2" HARDWOOD SPARS
OP AND BOTTOM



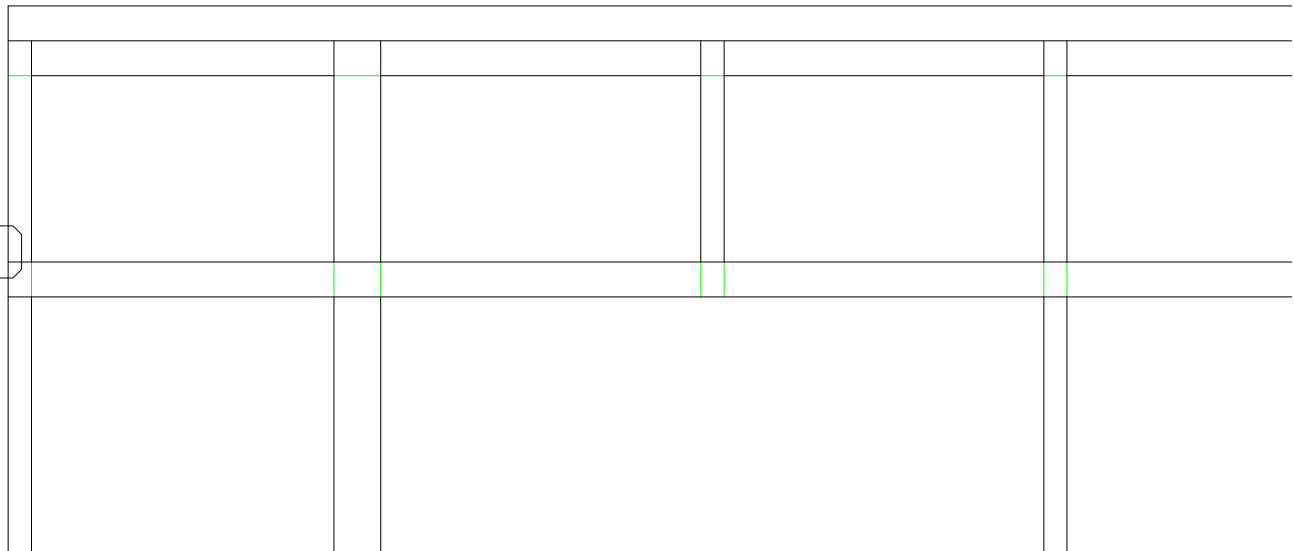
PS ARE 1/4" Balsa SHEET

17



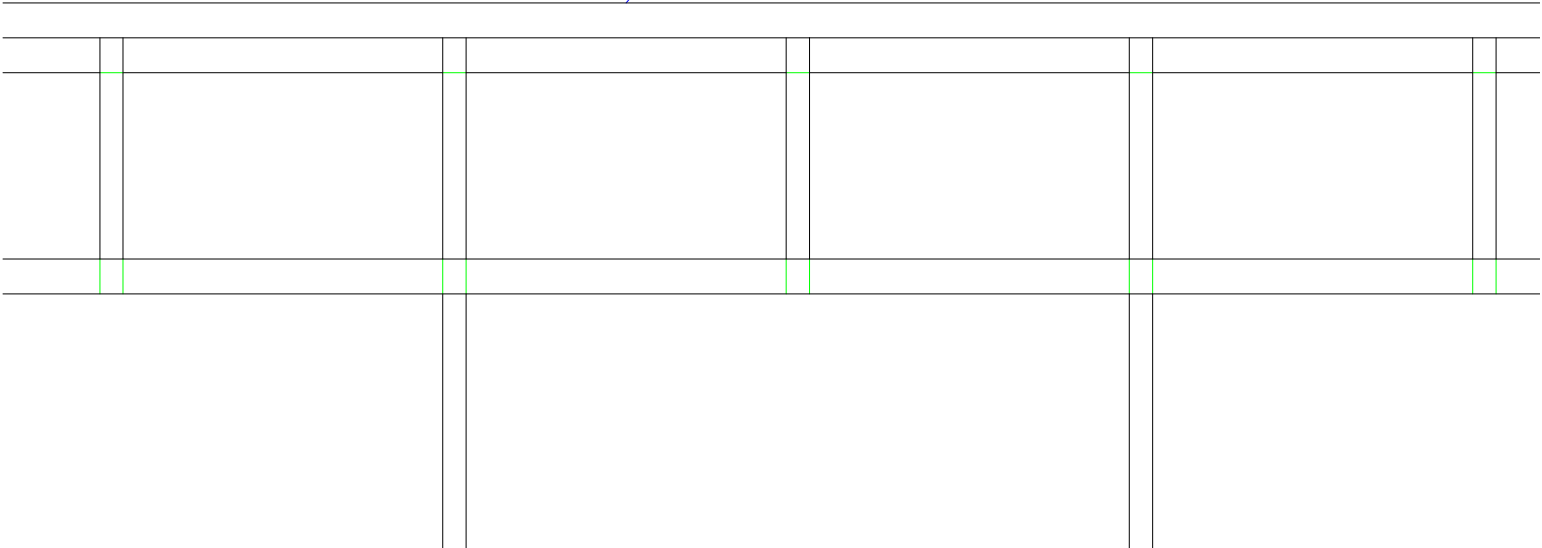
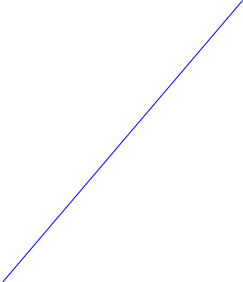
1/8" PL
SHEAR W





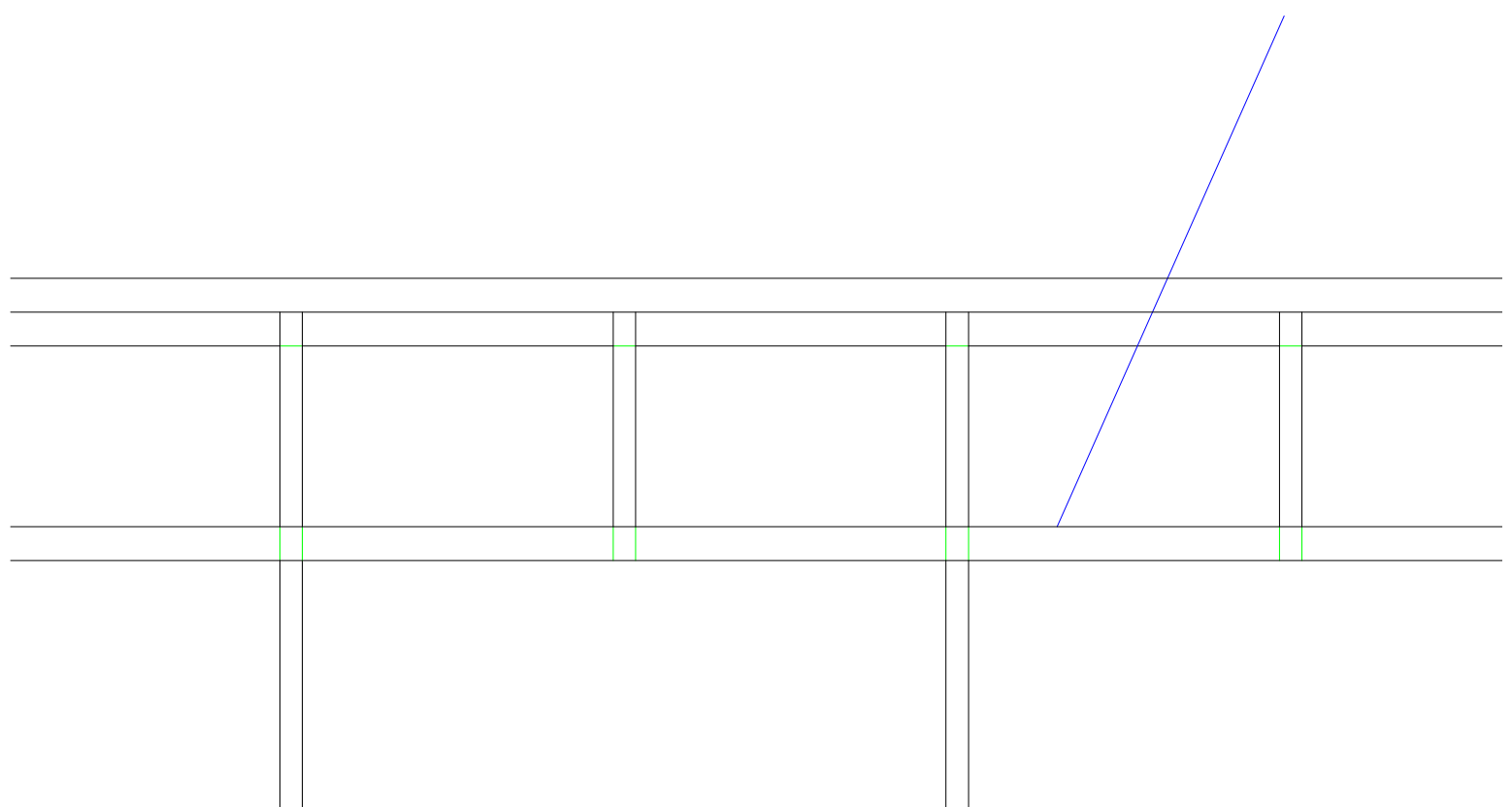
YWOOD
EBS

3/8" X 3/8"
LEADING EDGE

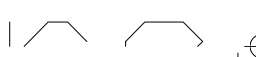
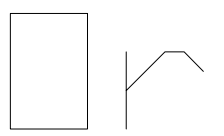
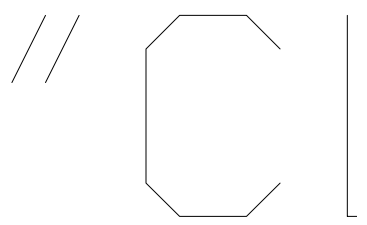
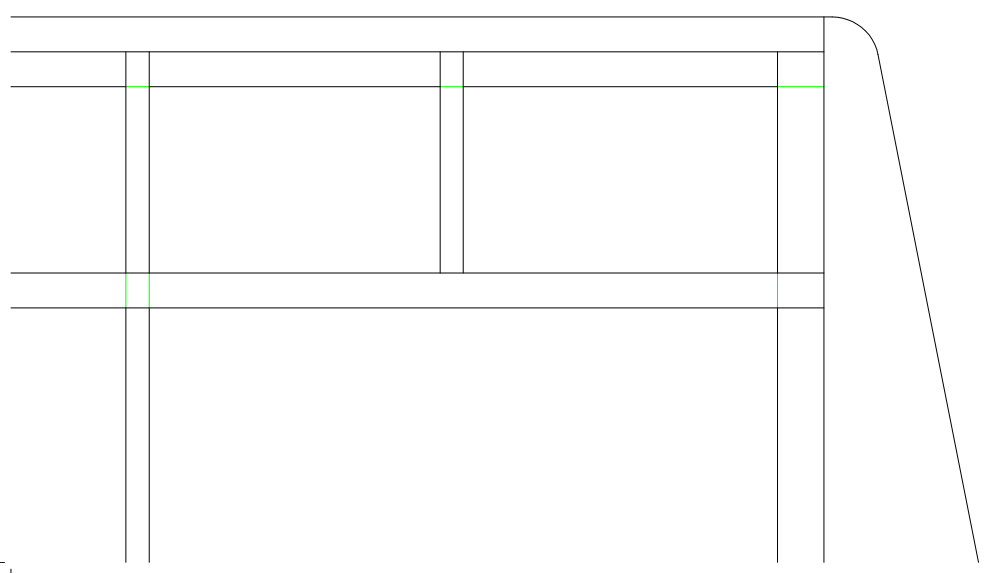


SQ. IN.

3/16" X
HARDWOOD



3/16" SQ. IN.
STRINGERS



B5 C5

GLY STIC

Phil Kraft

RAT ERM +

