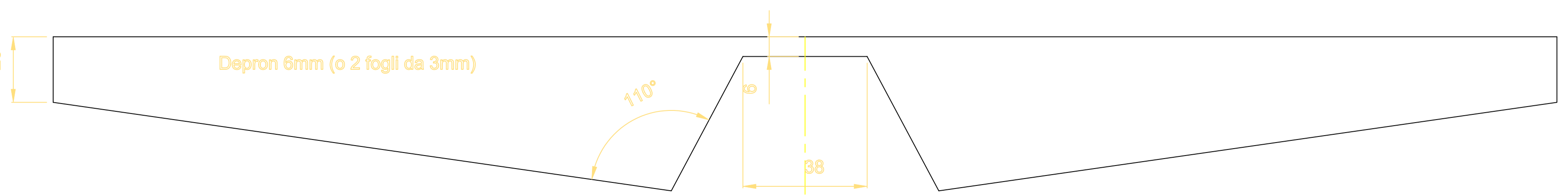


PROFILO GENTINA CLARK Y



NOT QUOTED BEVELS		MATERIAL		TREATMENT	
		<b>DEPRON</b>		/	
MOD. N°	DATE	DESIGN	CHECKED	APPROVED	SCALE
					1:1
DATE	23/06/04	23/06/04	23/06/04		UNIT
SIGNATURE	RAFFAELE R.	RAFFAELE R.	RAFFAELE R.		MM
TITLE					LEVEL
<b>ALBYONE</b>					1
DRAWING N°					SHEET
<b>ALBYONE</b>					2
RELEASE					OF
<b>ES</b>					3
					4
					5
					10