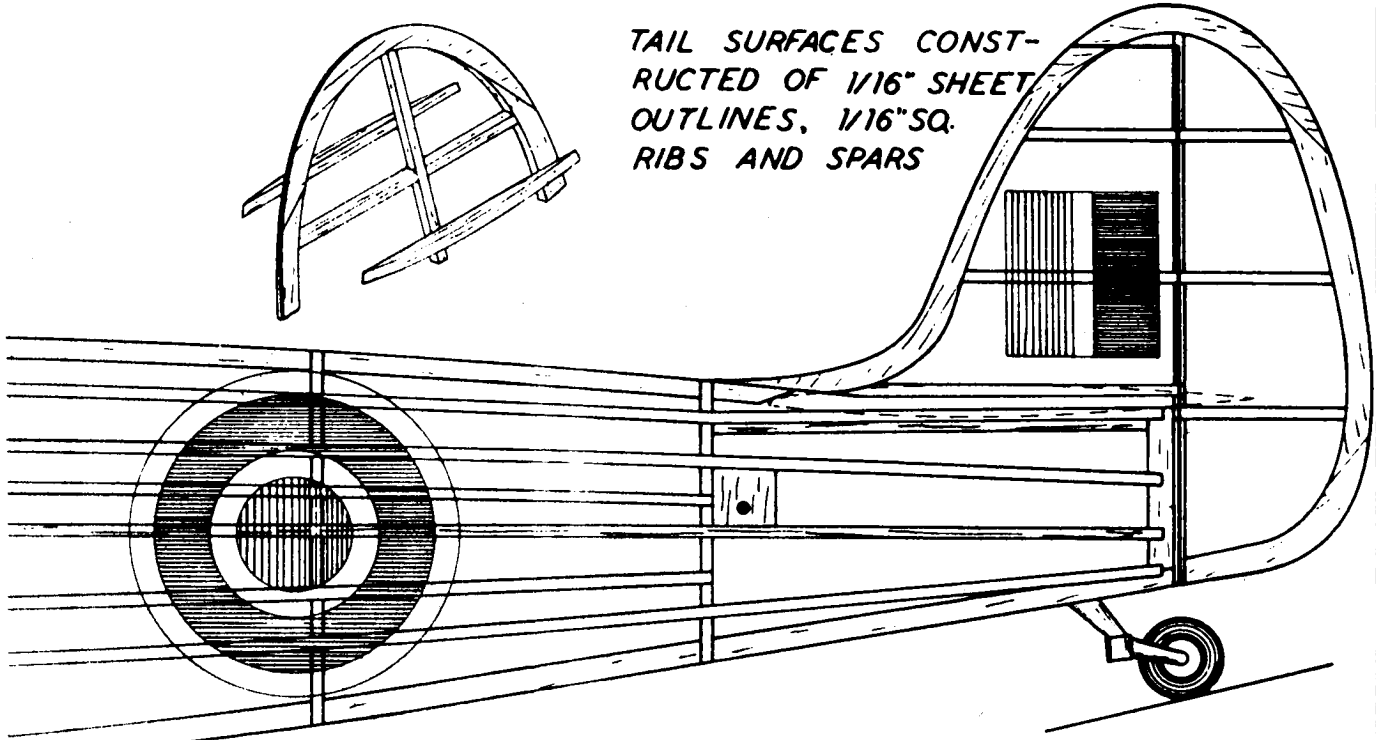
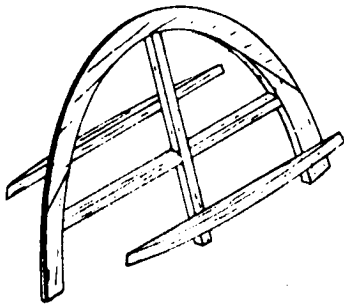
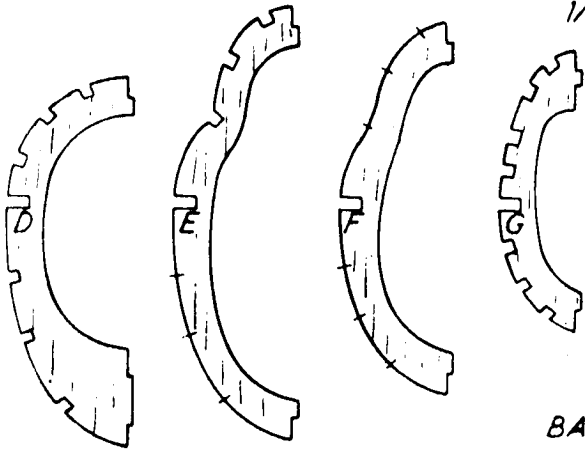


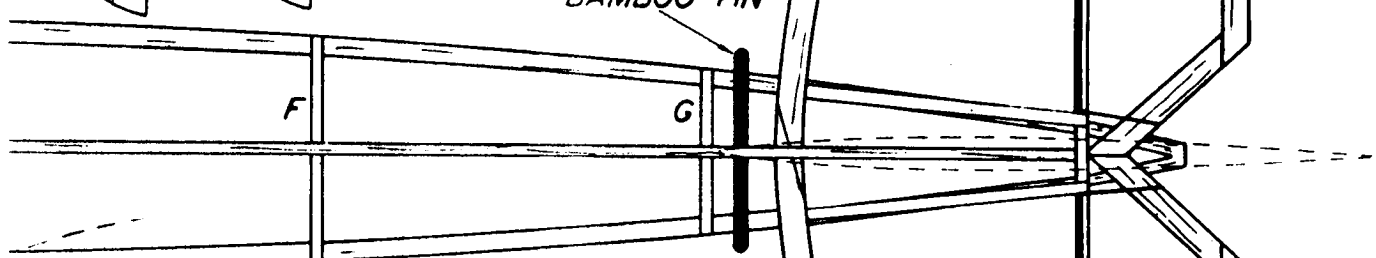
TAIL SURFACES CON-
STRUCTED OF 1/16" SHEET
OUTLINES, 1/16" SQ.
RIBS AND SPARS



FUSELAGE BULKHEADS
1/16" SHEET BALSA



BAMBOO PIN



MANY OF THE FUSELAGE STRINGERS
ARE NOT SHOWN TO REVEAL THE
1/16" SHEET KEELS

WING FILLET
1/32" SHEET

