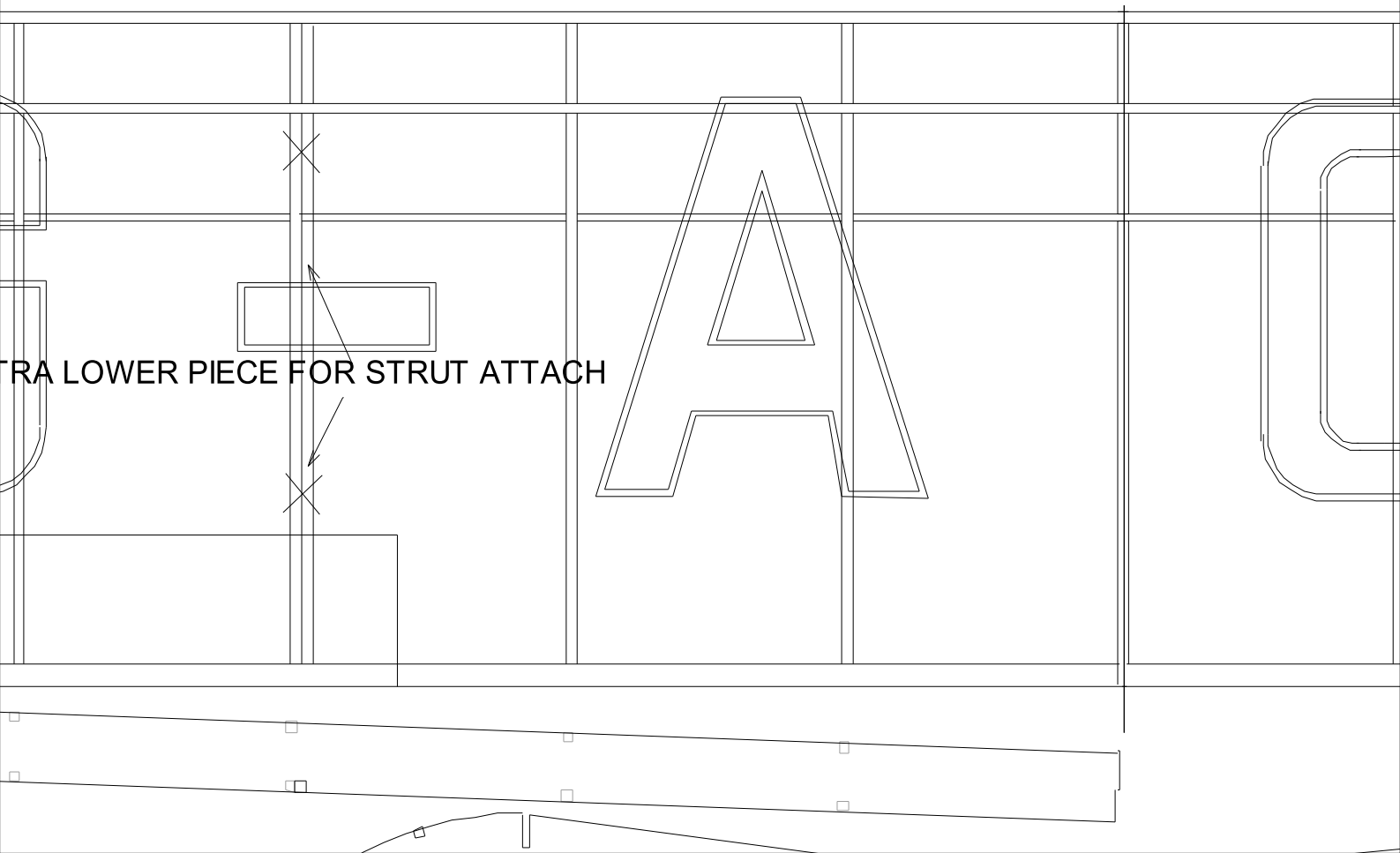
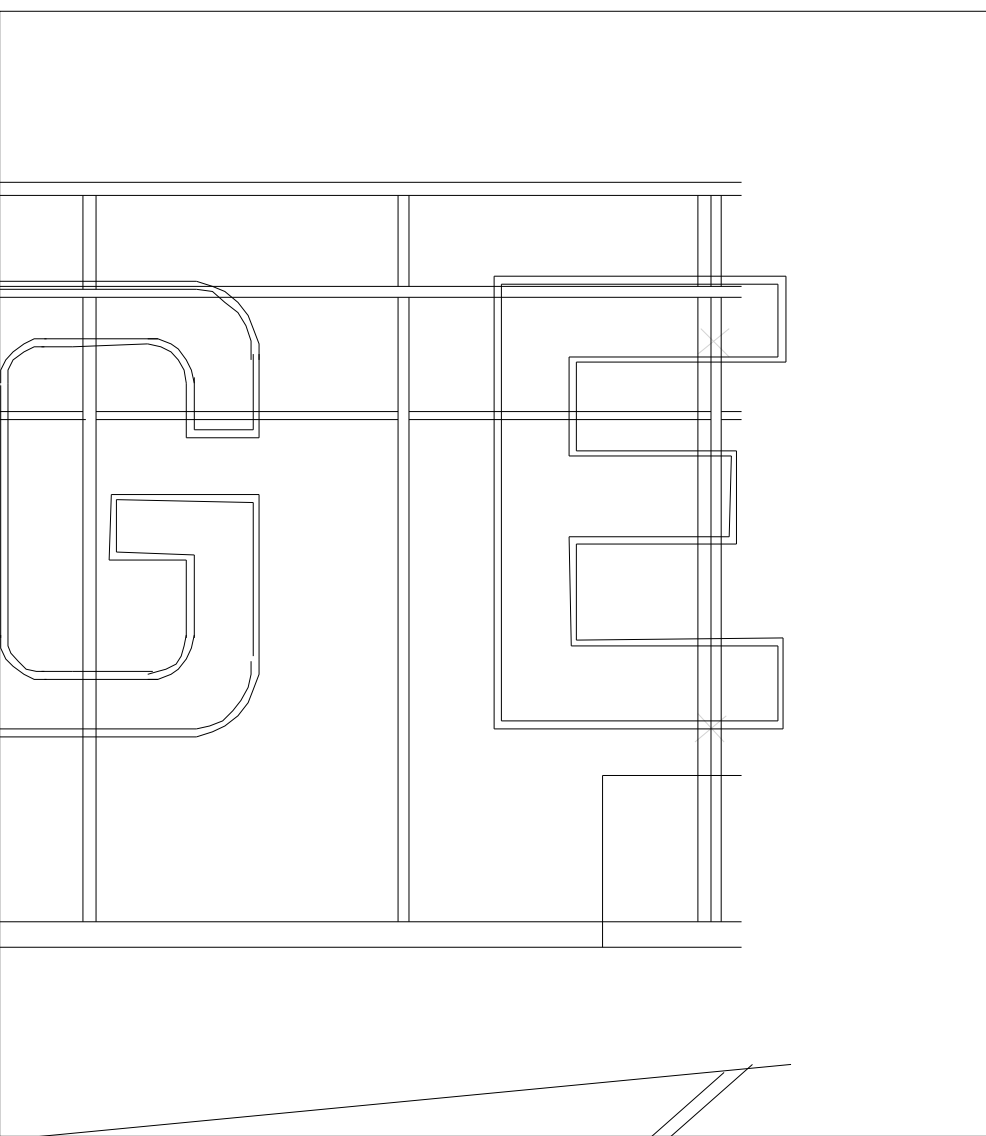


EXTRA L

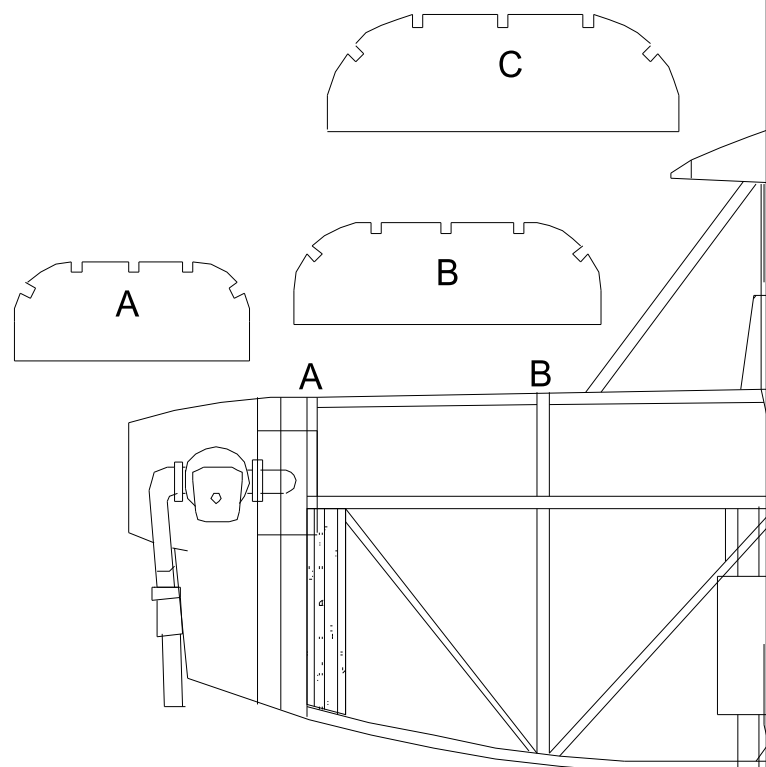
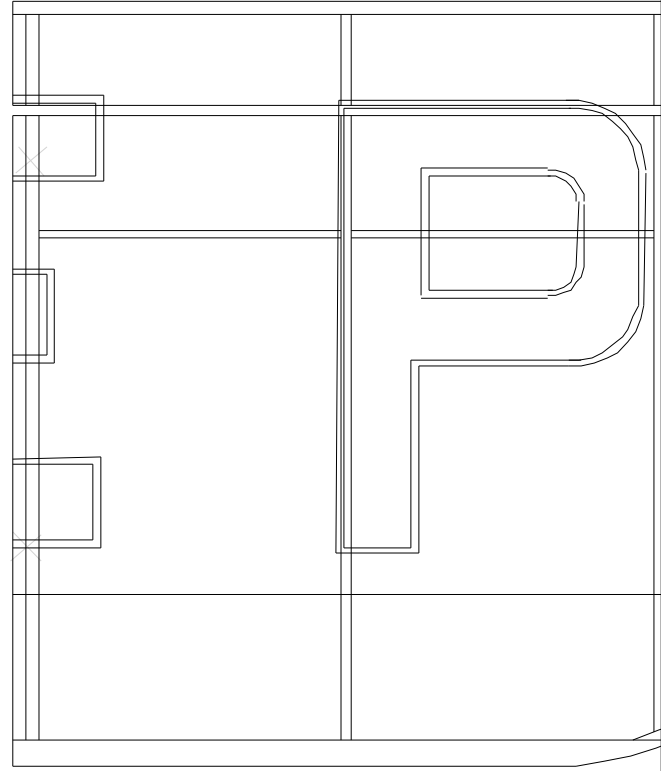
DIHEDRAL 1& TO 3& INCH



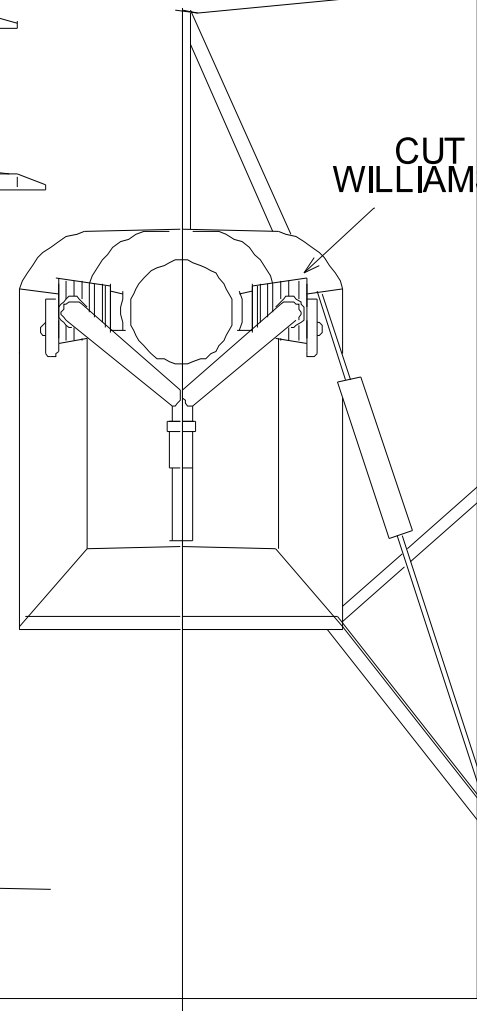
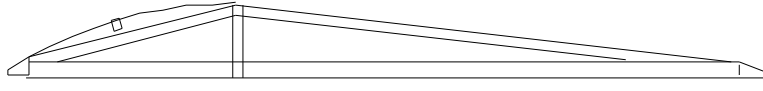
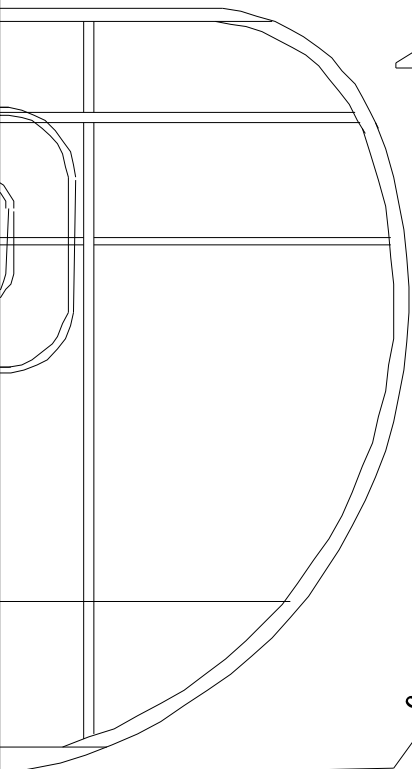
TRA LOWER PIECE FOR STRUT ATTACH



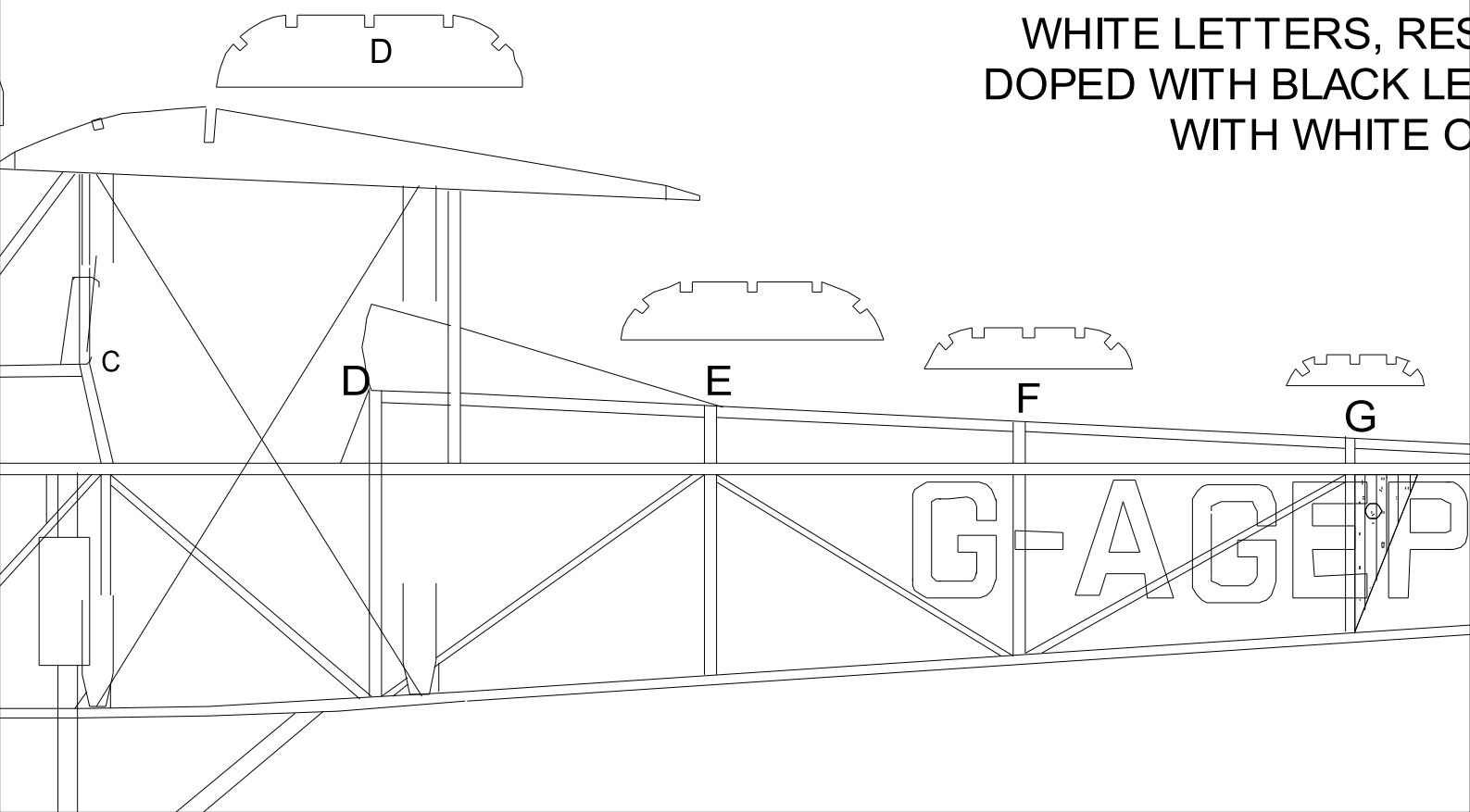
DIHEDRAL 1& TO 3& INCH



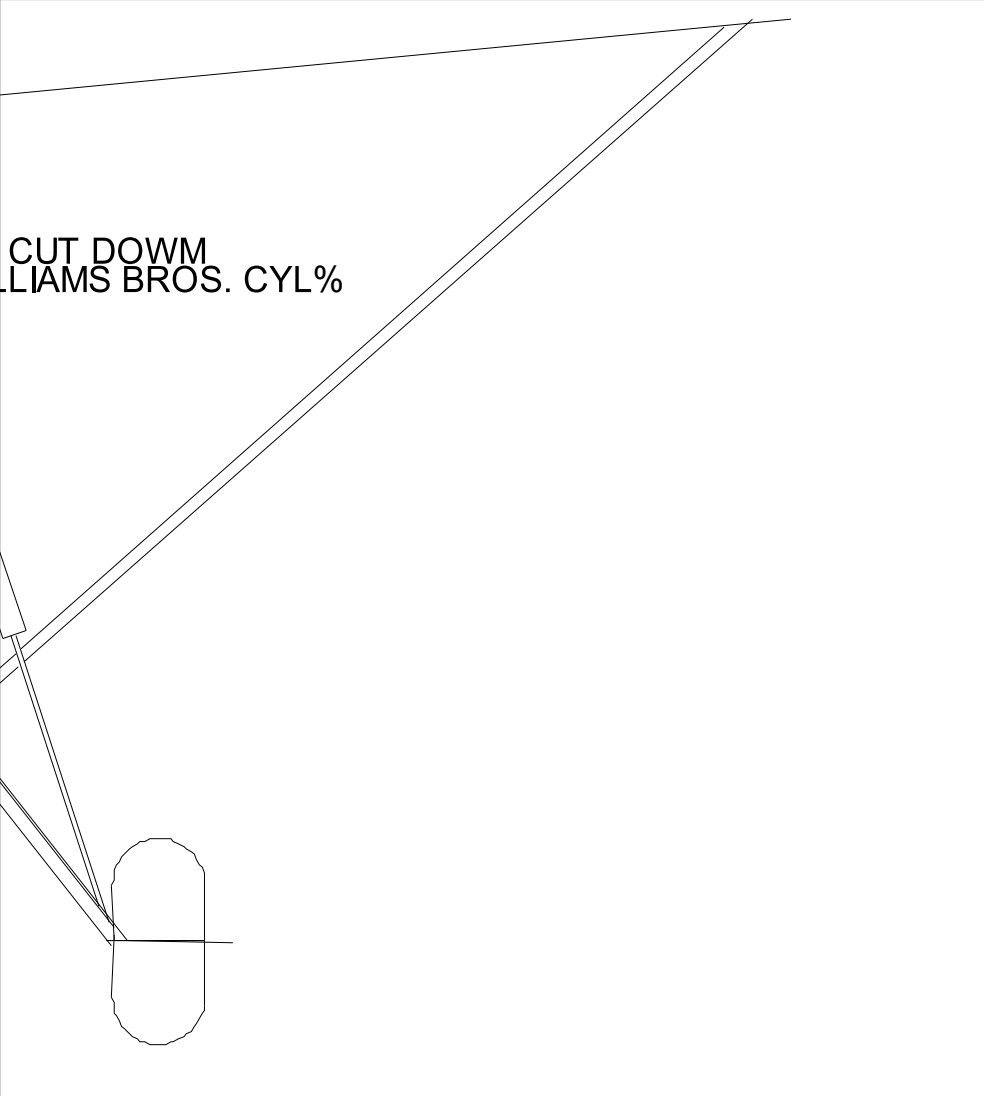
SOLID CENTER RIB
ALL OTHERS CRACKED RIB CONSTRUCTION
AS BELOW



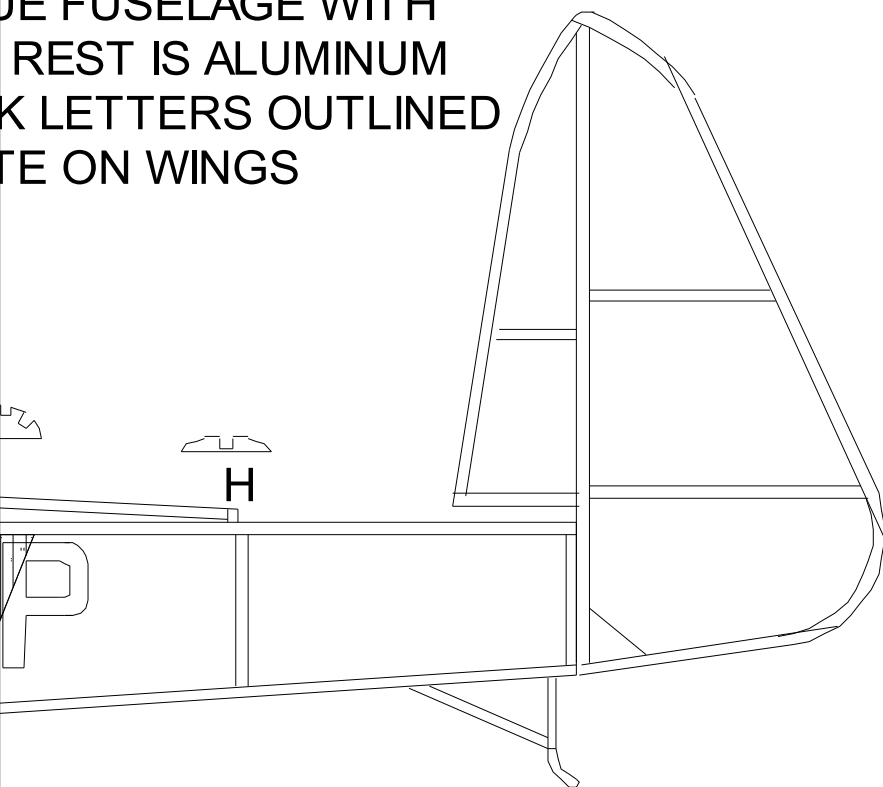
COLOR
G-AGEP HAS BLUE F
WHITE LETTERS, RES
DOPED WITH BLACK LE
WITH WHITE O

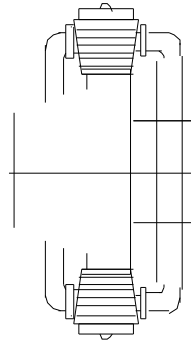
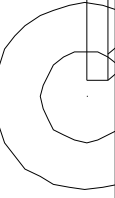


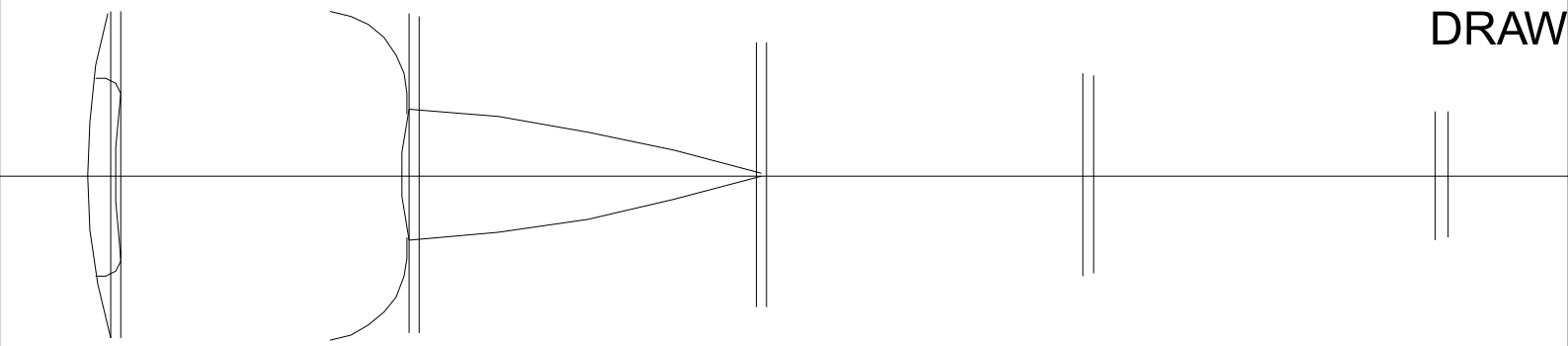
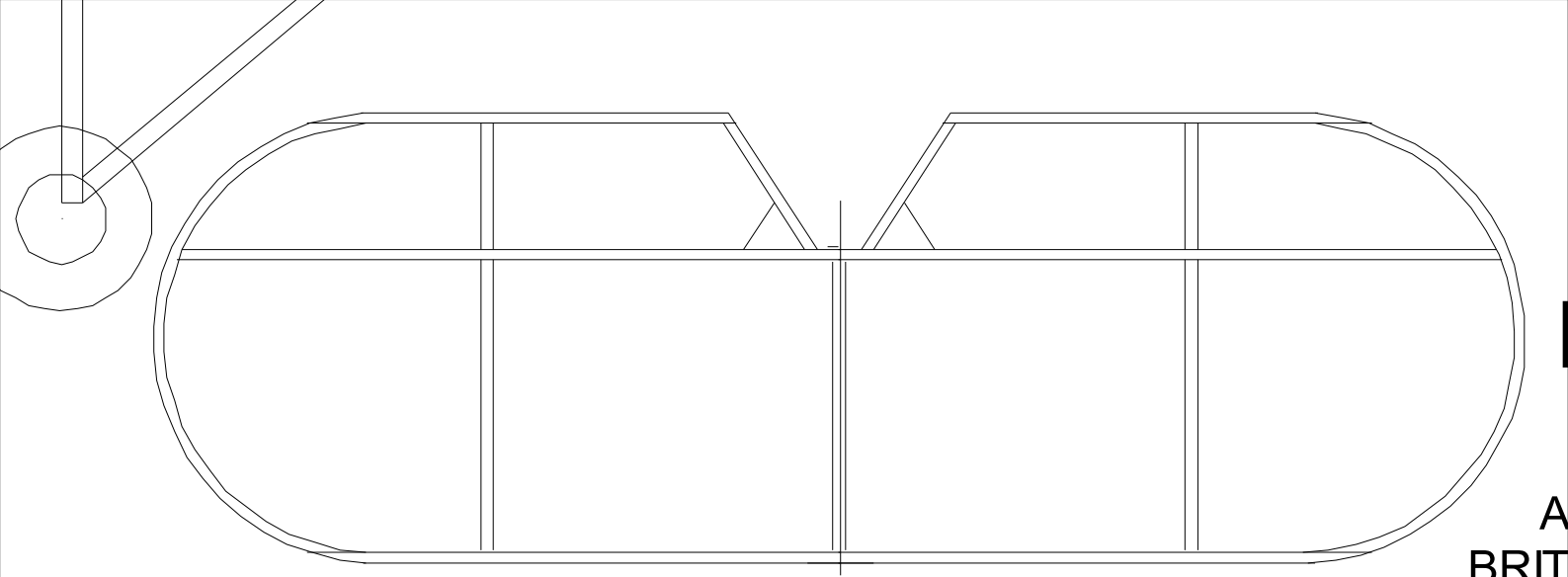
CUT DOWN
LIAMS BROS. CYL%



DOLOR
FUSELAGE WITH
REST IS ALUMINUM
BLACK LETTERS OUTLINED
WHITE ON WINGS







A
BRIT
DRAW

LUTON MINOR

1936 BRITISH LIGHTPLANE
SCALE REFERENCES

AERO MODELLER - MAY, 1953

BRITISH CIVIL AIRCRAFT SINCE 1919

DRAWN BY: DAVID LIVESAY JULY, 199" #

